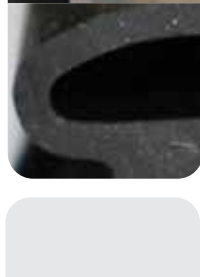
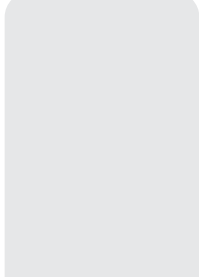
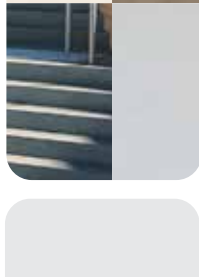
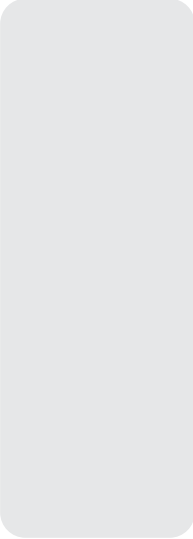


NEXUS

Profiles

PROFILES



www.unitech-ikk.com
www.nexus-ikk.com
www.ikkgroup.com



UNITECH

For Building and Construction Materials

NEXUS PROFILES SYSTEMS

NEXUS

PRODUCED BY



SPECIALIZED FACTORY FOR STEEL PRODUCTS
SIGMA FACTORY FOR STEEL PRODUCTS



Nexus Profile Systems

Index

About UNITECH	3
About NEXUS	10
Profiles for Floors and Walls	13
Stair Nosing	62
Anti-Slip Tape	75
Skirting	78
Movement Joint	85
Channels / Strips	91
Landscaping	97
Tactile	100
Rubber Gaskets	108
Marketing and Sales Stand Systems	116
Contact Information	119



ABOUT UNITECH

Unitech Introduction

Unitech is a proud Saudi company providing building and construction solutions that empower the regions' construction industry for the past 40+ years. We have been successfully providing solutions through mastering our main business activities: Design, Manufacture and Trade.



Design:

Provide Design & Engineering Solution to the construction sector, complying with international & local standards.



Manufacture:

Operating with Global Standards, we are widely recognized for our advanced light steel solutions and Hot-Dip Galvanization Facility.



Trade:

We are one of the region's largest Importer/Exporter of Building & Construction Materials.

Unitech is an ISO QMS 9001:2015 certified company and is a member of the US Green Building Council. Our experienced teams and operations are present across the Middle-East North Africa regions (MENA) and Pakistan, giving us an extensive regional network that benefits our clients and partners. We are also present in Europe via our design and engineering office in Stuttgart.

For more information, please visit: www.unitech-ikk.com

Mission & Vision

Our Vision

To be the Customer's First Choice...

Our Mission

We have the conviction to be the leader in building & construction industry through:

- A- Providing Excellence in services with Passionate & Educated sales force
- B- Strengthen culture through Unified Sense Of Purpose
- C- Developing Innovative Product Range which is Customer Centric
- D- Constantly providing Reputable and Quality services to the construction industry
- E- Attracting, Engaging, Retaining and Continuously Developing Talent

Our Strategy

Unitech's strategy continues to focus on accelerating its business throughout the region, to service the construction sector via superior products & solutions, backed up by a group of highly experienced people in the field. Unitech also aims to enhance its geographical presence in its areas of interest and where opportunities exist.

We combine a deep understanding of building and construction materials markets with a successful history of upgrading our products and developing our processes.

We have the qualified employees, the know-how and the products to service major construction projects, medium sized to mega projects taking in care our positive contribution to our societies.

We thrive towards excellence by acknowledging:



Customer Satisfaction



Partner and Supplier Relations



Employee Retention



Positive Influence on Society and Environment

Our Employees

We are a company that prides itself on its 'family' culture and we seek out high-caliber people. We are a company that has, at its core, a team philosophy that is clearly apparent each and every day - there is a real sense of being there for one another.

We believe in nurturing the skills of our team members and providing growing levels of responsibility. Our people bring unique skills, energy, expertise, experience and perspectives to our workforce.

Unitech's family of employees consists of experienced, well-motivated and dedicated team of engineers, technicians, sales executives and management staff. This team is committed to serve our customers, with the best solutions available in the market.

Our Journey

40+ Years of Excellence

Since 1979, having been set to become an independent company under the framework developed by Sheikh Isam Kabbani, Unitech started its journey of success with confidence and enthusiasm, hard work and care to detail and a commitment to become the best within its industry.

Its dedicated people could only imagine what the future could bring to this newly established entity. Unitech's journey of success has been marked with outstanding achievements and superior accomplishments. Year by year, Unitech has been acknowledged as the "First Choice for Building & Construction Material" by major construction consultants in the region, governmental authorities, well-known contracting and project development corporations.

We have obtained invaluable knowledge about the construction industry in general, providing specialized solutions to construction projects throughout MENA region. From a couple of outlets in Saudi Arabia, Unitech today is present all over the Kingdom and in several countries throughout the region providing its products and solution to various locations worldwide.



Est. 1979

THE BEGINNING

Unitech was established in the Western Region of KSA as a Sales Company selling basic construction material.

During the same year, another branch was established in the heart of the kingdoms capital, Riyadh.



1980 to 1989

AGE OF GREAT RISK

Unitech Dammam was open for business in the oil-rich eastern coast of Saudi Arabia.

Within these 10 years the idea of in-house manufacturing facility was born and Specialized Factory for Steel Products (SFSP) was established in Riyadh.



1990 to 1999

AGE OF GROWTH

Branches of Unitech were established in Makkah, Madina, Khamis Mushayt and Jubail.

The need to increase its range of products and the necessity to have production lines for mass production lead to the decision to move the SFSP Factory from Riyadh to Jeddah.

Pioneering Construction Since 1979

We are constantly evolving in order to become more flexible in our operations, more sustainable in our societies, and more innovative in conducting our business.

By delivering superior products tailored to the specific construction needs, ambitious solutions, and an outstanding customer service, we serve today's needs through developing tomorrow's markets.

Helping construction projects experience success is what fueled its days. Unitech is keen to continue offering superior products, a wide spectrum of solutions, governed by our top-notch management style.

Such aspirations require trust in our responsibilities. Our Responsibilities for the future and with this in mind we continue to target excellence with committed efforts.



2000 to 2015

AGE OF CONSTRUCTION BOOM

Qassim, Hofuf and Yanbu Branches were inaugurated in KSA and branches outside KSA were established in UAE, Egypt, Lebanon, Oman, Jordan and Germany in order to facilitate the construction boom in the Middle East. During this period SFSP state of the art facilities were launched in DIC UAE and Unitech thrived, marking some of the best years in business.



2016 to 2019

AGE OF GREAT CHANGE

This period, marked the age of great change in order to align with the economic shift in the GCC and the world in general.

Company wide right sizing initiatives were taken especially in KSA to align with the kingdoms ambitious vision 2030 and during this period the upgraded SFSP state of the art facilities were launched in JIC 3 KSA.



2020 & Beyond

NEW FRONTIER

This period marks the expansion of Unitech into the South and Central Asian territories. We aim to cater these markets and play an active role in these countries development.

During 2020, Unitech Pakistan was officially inaugurated and marked the entrance of Unitech into Asian Market.

Our Manufacturing Arm

SFSP

SFSP is a leading manufacturer and fabricator of light steel construction products in the region, servicing the construction sector through its state of the art facilities which are spread all over the MENA region. Products of SFSP are manufactured from quality raw material according to the relevant international standards to meet all kinds of construction projects requirements, such as MEP, façade, blockwork & waste management systems.

Commitment to Quality

Our commitment to quality is clearly revealed in the way we do our business; our processes, our close interaction with our clients as well as the strict product inspection procedures. To achieve this, we have implemented quality systems & processes that are continually being improved to satisfy our customer's needs.

Product Development

Product development process is substantial to the success of our business. We leverage all resources to provide up-to-date reliable products, environmentally friendly, durable to withstand the toughest weather conditions. Our engineers are constantly testing the products, seeking to present a combination of performance and quality across all our product ranges.

For more information, please visit:
www.sfsp-ikk.com

Value Chain

Our value chain starts up with the quality of the raw materials and ends up in client satisfaction. Our business practices backed up by all technologically essential business elements are supported by an efficient logistics, warehousing and delivery system that maintains a valuable supply chain for products.

The value chain is integrated in our business module, giving us strength and preserving our good reputation gained through the past 4 decades.

Engineering Specialty

Our products development engineers integrate their vast knowledge to provide the perfect solution to projects within the required specifications and time-frame.

The products development department maintains highly skilled calibers with a dedication towards efficient and reliable solutions even in the most complicated cases where delicacy and skillful approaches are indispensable.

Design and Product Safety

Our design and engineering office in Stuttgart ensures our products comply with relevant European and international standards of fabrication, taking into attention the safety factors which govern the public safety of projects.

Sustainability and Responsibility

We are constantly working hard to reduce our environmental footprints while maintaining the high quality and safety standards. We have set our targets to become three times more efficient in the next 10 years. Our responsibility towards our stakeholders is valued through our positive contributions towards our colleagues, our business partners and our communities as well.


Our Design Office



UNITECH DEUTSCHLAND is a "Design & Engineering" Office. Unitech Germany support Unitech & SFSP operations through well-informed cadre of engineers. They help our customers from conception to the completion by delivering design, engineering and project management services.

Thanks to our multidisciplinary team in Unitech Germany and their expertise, we assist you in your ambition to develop your innovation, your engineering and your organization. Our goal is to serve our clients through these elements:

- Excellent in engineering ideas and solutions
- High quality in performance
- Firmness on meeting deadlines

The background consists of several overlapping geometric shapes in two shades of blue: a vibrant medium blue and a lighter sky blue. These shapes are primarily triangles and quadrilaterals, some pointing towards the corners and others creating a sense of movement and depth. The overall effect is a modern, clean, and dynamic abstract design.

ABOUT NEXUS

NEXUS is a part of UNITECH's wide range of product and is solely produced by "SFSP" Factories around the region. Nexus offer comprehensive solutions for the construction industry ranging from Expansion Joint Covers and Fire Barriers to Entrance Matting Systems, Wall and Floor Profiles, Tactile Solutions, etc... NEXUS range of products is manufactured according to most common international standards to meet the requirements of commercial, residential, governmental, transportation, healthcare and educational projects. In addition to its wide array of profiles and variety of finishes, NEXUS provides the technical expertise via its qualified and dedicated team of engineers and industry-experts in the fields. NEXUS range of products is manufactured from high quality raw material and designed to withstand high volume of traffic as well as extreme weather conditions.

NEXUS

Expansion & Movement Joint Systems

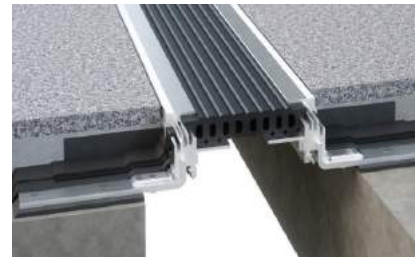
Our variety of expansion joints includes profiles for walls and floors, profiles for seismic movements, watertight profiles. Our products suit pedestrian as well as heavy load traffic areas.



EXPANSION JOINT



SEISMIC EXPANSION JOINT



WATER PROOF
EXPANSION JOINT

Nexus Fire Barriers

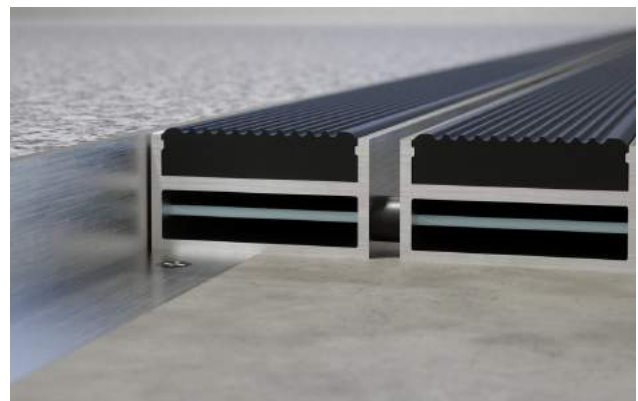
Nexus Fire Barriers for vertical and horizontal expansion joint gaps with minimum movement capacity of 50% of the joint width. Manufactured in accordance with ASTM E-1399 and UL-2079 testing requirements



NEXUS

Entrance Matting Systems

Nexus Entrance matting systems provides heavy duty entrance mats, composed of aluminium profiles with carpet, brushes or rubber inserts. For any design of any shape, being round, square, oval, or any other symmetrical or asymmetrical shape, Nexus offers a variety of entrance matting profiles



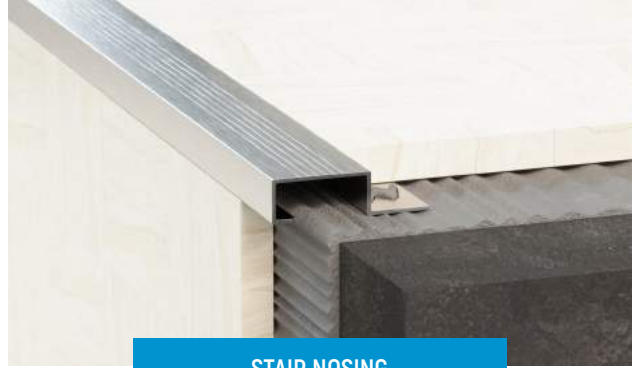
NEXUS

Profiles

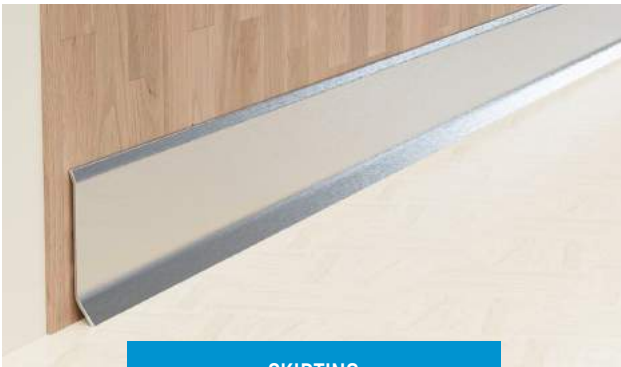
Nexus offer comprehensive solutions for the construction industry ranging from Expansion Joint Covers and Fire Barriers to Entrance Matting Systems, Wall and Floor Profiles, Tactile Solutions, etc... NEXUS range of products is manufactured according to most common international standards to meet the requirements of commercial, residential, governmental, transportation, healthcare and educational projects.



PROFILES FOR FLOORS AND WALLS



STAIR NOSING



SKIRTING



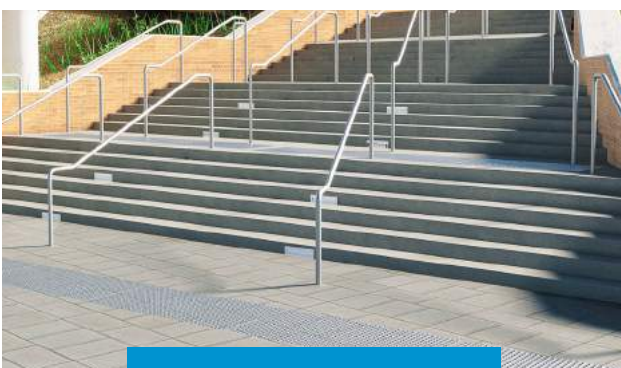
MOVEMENT JOINT



CHANNELS / STRIPS



LANDSCAPING



TACTILE SOLUTIONS



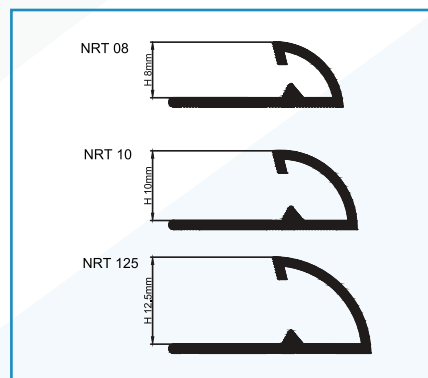
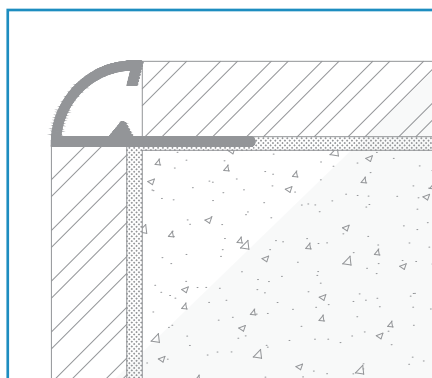
RUBBER GASKETS

NEXUS PROFILES FOR FLOORS AND WALLS



FEATURES

NEXUS NRT is a Round Edge PVC Tile Trim profile for Walls available in 9 colors.



Type	H (mm)	L (m)
NRT 08	8	2.7
NRT 010	10	2.7
NRT 125	12.5	2.7

COLORS



White

(501)



Milky White

(502)



White Ivory

(901)



Ivory

(903)



Bahama Beige

(902)



Light Grey

(303)



Grey

(302)



Cement Grey

(301)



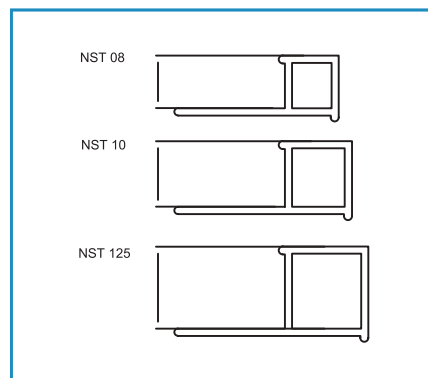
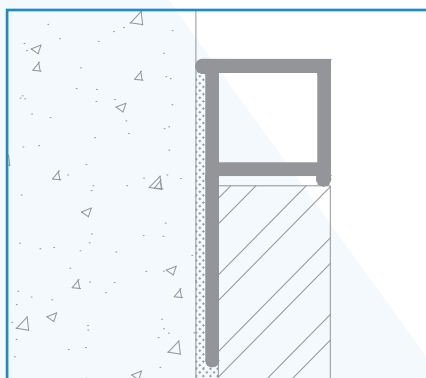
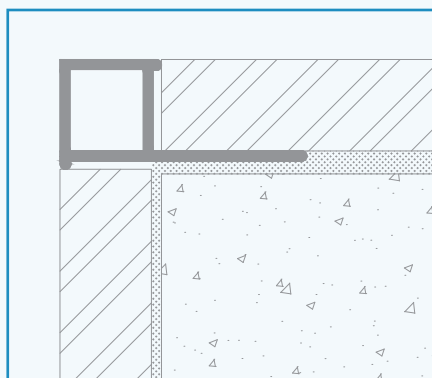
Black

(101)



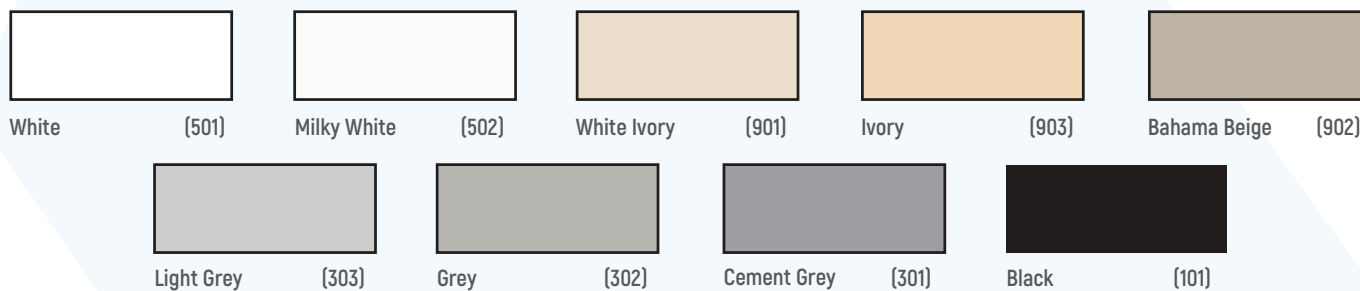
FEATURES

NEXUS NST is a Square Shape PVC Tile Trim profile for Walls available in 9 colors.



Type	H (mm)	L (m)
NST 08	8	2.7
NST 010	10	2.7
NST 125	12.5	2.7

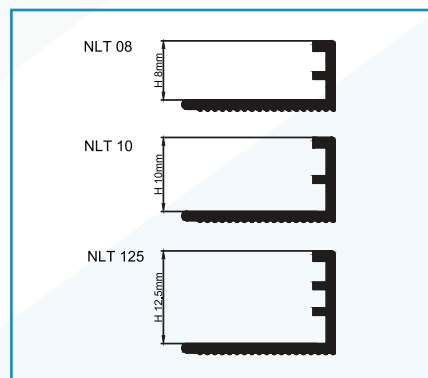
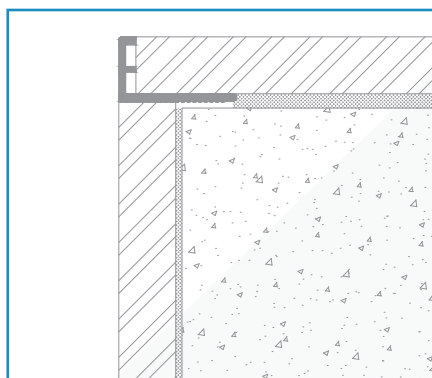
COLORS





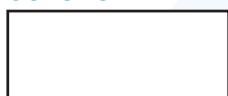
FEATURES

NEXUS NLT is an L Shape PVC Tile Trim profile for Walls available in 9 colors.



Type	H (mm)	L (m)
NLT 08	8	2.7
NLT 010	10	2.7
NLT 125	12.5	2.7

COLORS



White

(501)



Milky White

(502)



White Ivory

(901)



Ivory

(903)



Bahama Beige

(902)



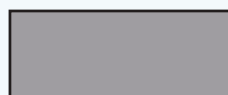
Light Grey

(303)



Grey

(302)



Cement Grey

(301)



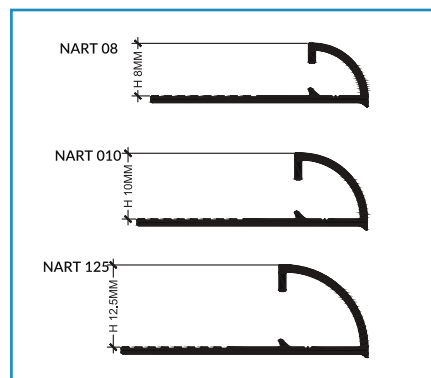
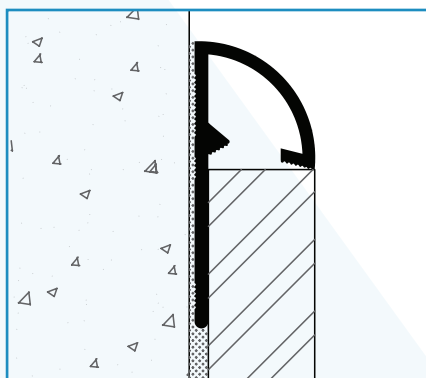
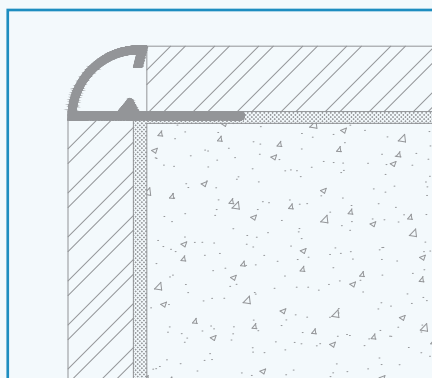
Black

(101)



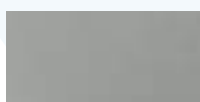
FEATURES

NEXUS NART is a Square shape Aluminum Tile Trim profile for Walls in 11 Anodized colors.



Type	H (mm)	L (m)
NART 08	8	2.7
NART 010	10	2.7
NART 125	12.5	2.7

COLORS



Silver Matt



Silver Polish



Gold Matt



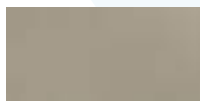
Gold Polish



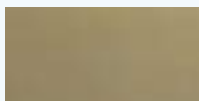
741 Champ Matt



741 Champ Polish



743 Bronze Matt



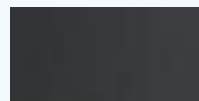
743 Bronze Polish



747 Bronze Matt



747 Bronze Polish

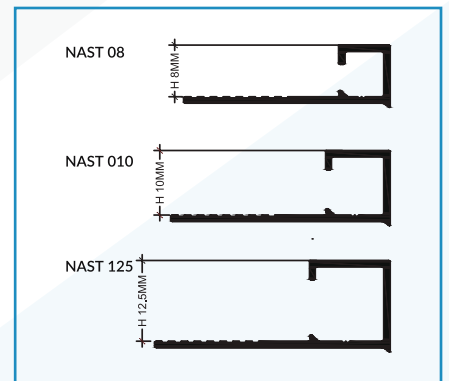
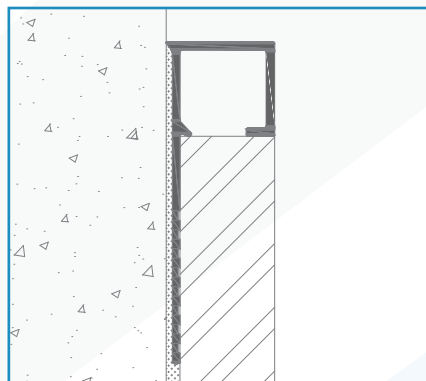
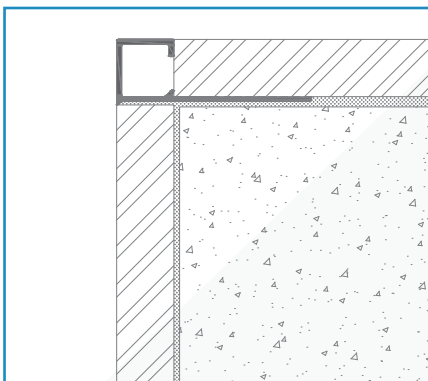


Black Matt



FEATURES

NEXUS NAST is a Square shape Aluminum Tile Trim profile for Walls in 11 Anodized colors.



Type	H (mm)	L (m)
NAST 08	8	2.7
NAST 010	10	2.7
NAST 125	12.5	2.7

COLORS



Silver Matt



Silver Polish



Gold Matt



Gold Polish



741 Champ Matt



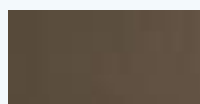
741 Champ Polish



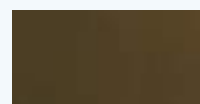
743 Bronze Matt



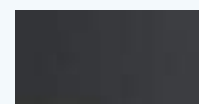
743 Bronze Polish



747 Bronze Matt



747 Bronze Polish

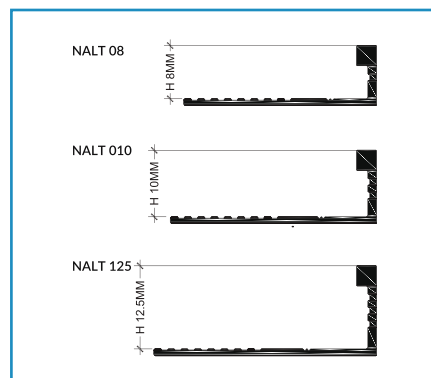
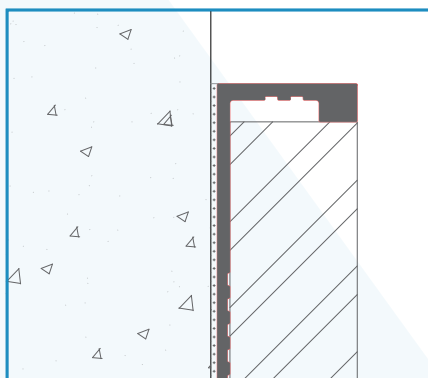
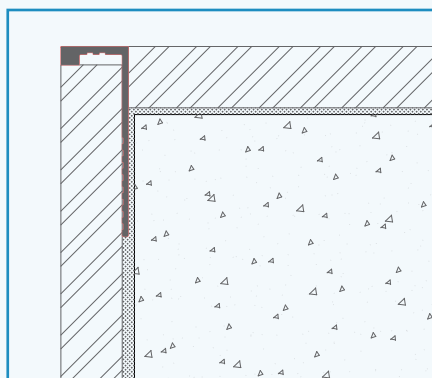


Black Matt



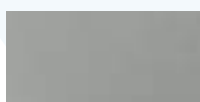
FEATURES

NEXUS NALT is a L shape Aluminum Tile Trim profile for Walls in 11 Anodized colors.



Type	H (mm)	L (m)
NALT 08	8	2.7
NALT 010	10	2.7
NALT 125	12.5	2.7
NALT 15	15	2.7
NALT 20	20	2.7

COLORS



Silver Matt



Silver Polish



Gold Matt



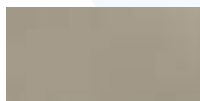
Gold Polish



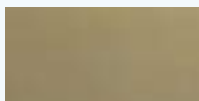
741 Champ Matt



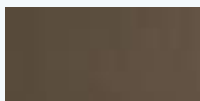
741 Champ Polish



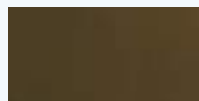
743 Bronze Matt



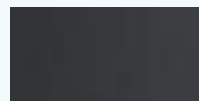
743 Bronze Polish



747 Bronze Matt



747 Bronze Polish

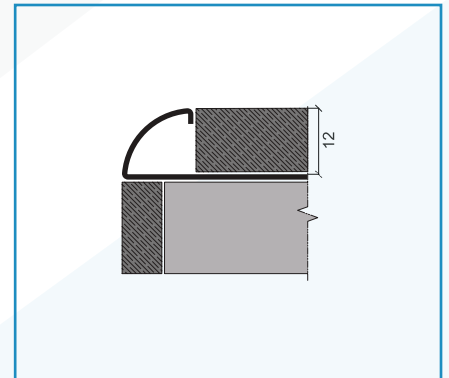
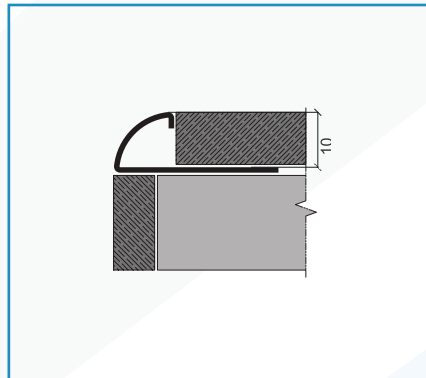
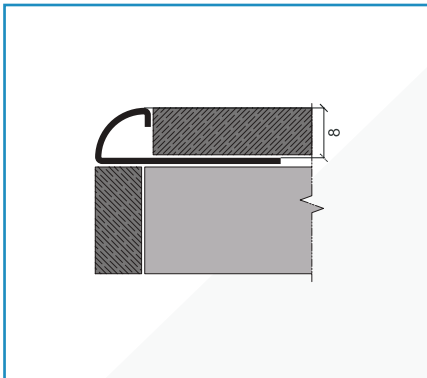


Black Matt



FEATURES

NEXUS REST profile is a Stainless Steel Round shape Tile Trim for Walls available in both SS304 and SS316L Grades in Polished and Brushed finishes.



SS 304 Polish Finish

Type	H (mm)	L (m)
REST 08	8	2.7
REST 10	10	2.7
REST 12	12	2.7

SS 316 Polish Finish

Type	H (mm)	L (m)
RESTL 08	8	2.7
RESTL 10	10	2.7
RESTL 12	12	2.7

SS 304 Brush Finish

Type	H (mm)	L (m)
RESTB 08	8	2.7
RESTB 10	10	2.7
RESTB 12	12	2.7

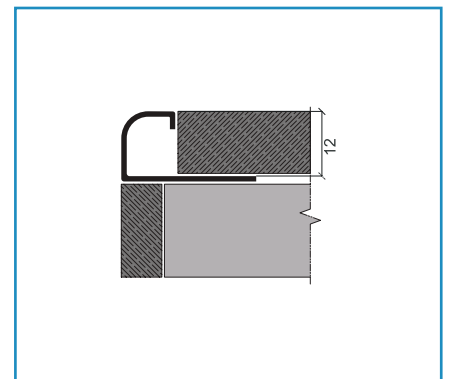
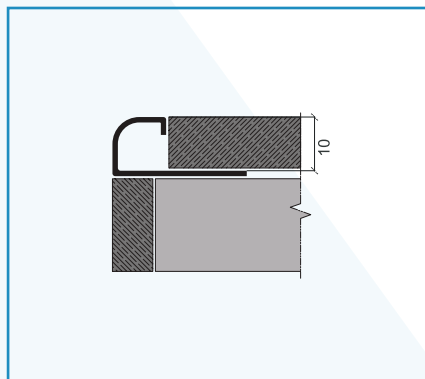
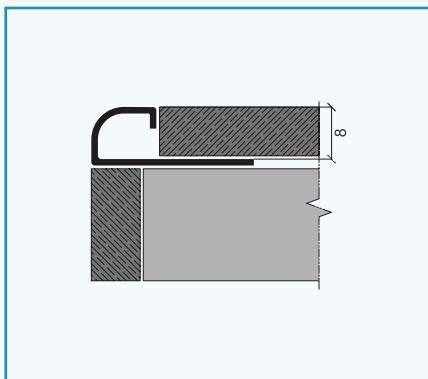
SS 316 Brush Finish

Type	H (mm)	L (m)
RESTLB 08	8	2.7
RESTLB 10	10	2.7
RESTLB 12	12	2.7



FEATURES

NEXUS QEST profile is a Stainless Steel Quart shape Tile Trim for Walls available in both SS304 and SS316L Grades in Polished and Brushed finishes.



SS 304 Polish Finish

Type	H (mm)	L (m)
QEST 08	8	2.7
QEST 10	10	2.7
QEST 12	12	2.7

SS 316 Polish Finish

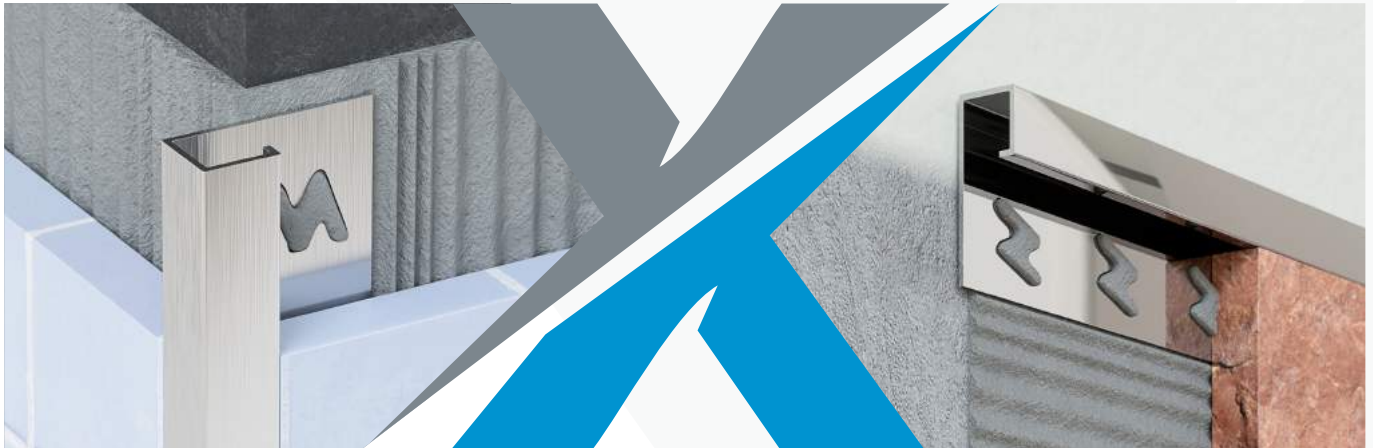
Type	H (mm)	L (m)
QESTL 08	8	2.7
QESTL 10	10	2.7
QESTL 12	12	2.7

SS 304 Brush Finish

Type	H (mm)	L (m)
QESTB 08	8	2.7
QESTB 10	10	2.7
QESTB 12	12	2.7

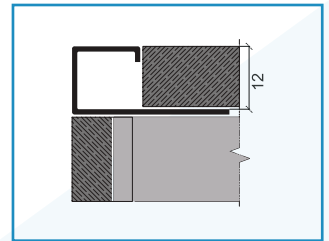
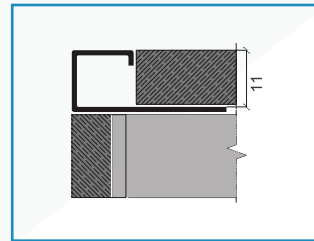
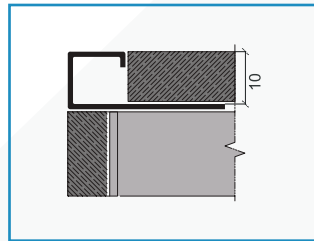
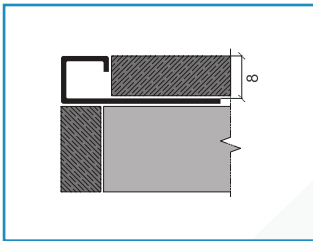
SS 316 Brush Finish

Type	H (mm)	L (m)
QESTLB 08	8	2.7
QESTLB 10	10	2.7
QESTLB 12	12	2.7



FEATURES

NEXUS NQST is a Square shape Stainless Steel Tile Trim profile for Walls available in both SS304 and SS316L Grades in Polished and Brushed finishes.



8

SS 304 Polish Finish

Type	H (mm)	L (m)
NQST 08	8	2.7

SS 304 Brush Finish

Type	H (mm)	L (m)
NQSTB 08	8	2.7

SS 316 Polish Finish

Type	H (mm)	L (m)
NQSTL 08	8	2.7

SS 316 Brush Finish

Type	H (mm)	L (m)
NQSTLB 08	8	2.7

10

SS 304 Polish Finish

Type	H (mm)	L (m)
NQST 10	10	2.7

SS 304 Brush Finish

Type	H (mm)	L (m)
NQSTB 10	10	2.7

SS 316 Polish Finish

Type	H (mm)	L (m)
NQSTL 10	10	2.7

SS 316 Brush Finish

Type	H (mm)	L (m)
NQSTLB 10	10	2.7

11

SS 304 Polish Finish

Type	H (mm)	L (m)
NQST 11	11	2.7

SS 304 Brush Finish

Type	H (mm)	L (m)
NQSTB 11	11	2.7

SS 316 Polish Finish

Type	H (mm)	L (m)
NQSTL 11	11	2.7

SS 316 Brush Finish

Type	H (mm)	L (m)
NQSTLB 11	11	2.7

12

SS 304 Polish Finish

Type	H (mm)	L (m)
NQST 12	12	2.7

SS 304 Brush Finish

Type	H (mm)	L (m)
NQSTB 12	12	2.7

SS 316 Polish Finish

Type	H (mm)	L (m)
NQSTL 12	12	2.7

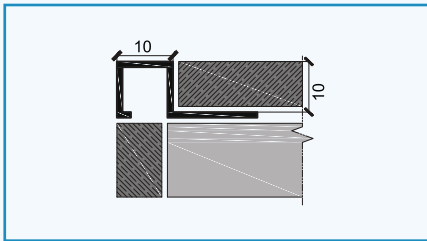
SS 316 Brush Finish

Type	H (mm)	L (m)
NQSTLB 12	12	2.7



FEATURES

NEXUS NWST is a Square shape Stainless Steel Tile Trim for Walls available in both SS304 and SS316L Grades in Polished and Brushed finishes.



1010

SS 304 Polish Finish

Type	H (mm)	W (mm)	L (m)
NWST 010	10	10	2.7

SS 304 Brush Finish

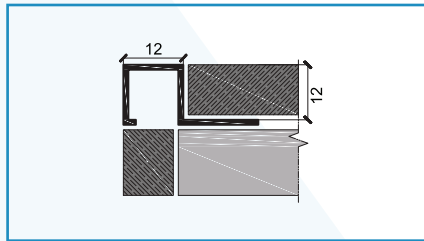
Type	H (mm)	W (mm)	L (m)
NWSTB 010	10	10	2.7

SS 316 Polish Finish

Type	H (mm)	W (mm)	L (m)
NWSTL 010	10	10	2.7

SS 316 Brush Finish

Type	H (mm)	W (mm)	L (m)
NWSTLB 010	10	10	2.7



1212

SS 304 Polish Finish

Type	H (mm)	W (mm)	L (m)
NWST 012	12	12	2.7

SS 304 Brush Finish

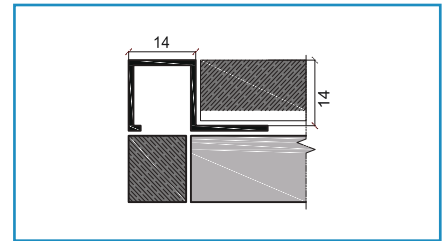
Type	H (mm)	W (mm)	L (m)
NWSTB 012	12	12	2.7

SS 316 Polish Finish

Type	H (mm)	W (mm)	L (m)
NWSTL 012	12	12	2.7

SS 316 Brush Finish

Type	H (mm)	W (mm)	L (m)
NWSTLB 012	12	12	2.7



1414

SS 304 Polish Finish

Type	H (mm)	W (mm)	L (m)
NWST 014	14	14	2.7

SS 304 Brush Finish

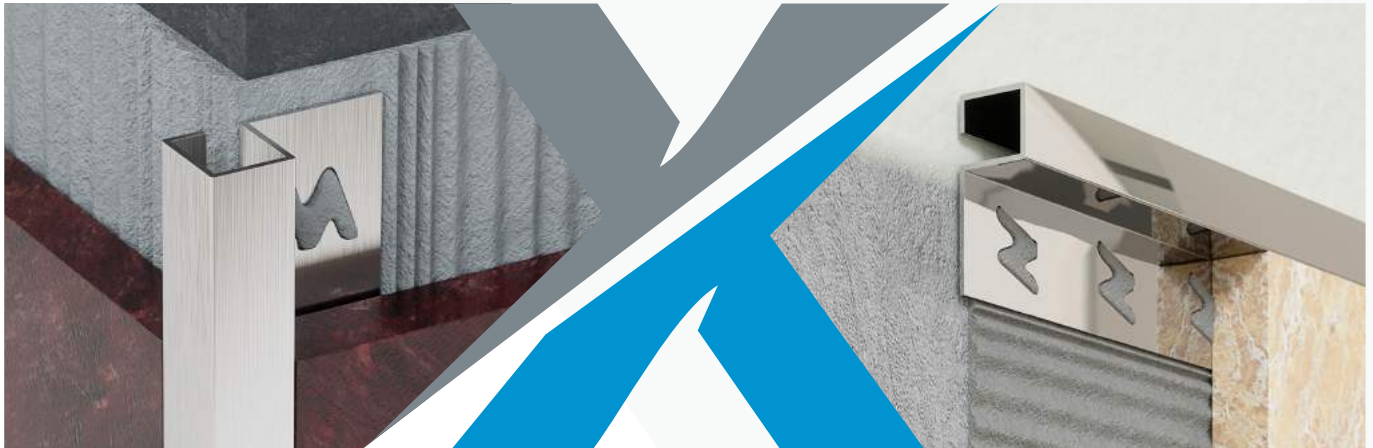
Type	H (mm)	W (mm)	L (m)
NWSTB 014	14	14	2.7

SS 316 Polish Finish

Type	H (mm)	W (mm)	L (m)
NWSTL 014	14	14	2.7

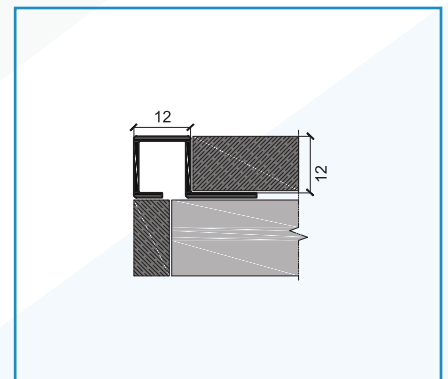
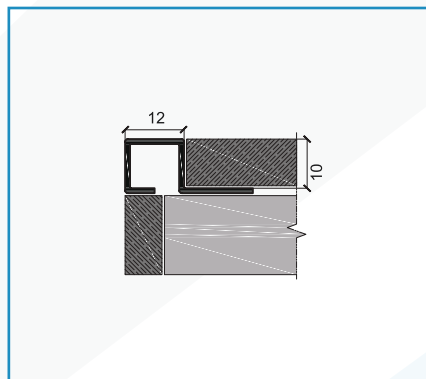
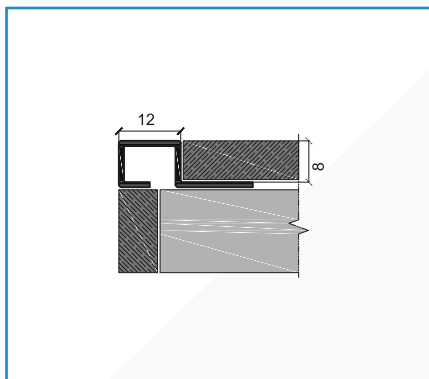
SS 316 Brush Finish

Type	H (mm)	W (mm)	L (m)
NWSTLB 014	14	14	2.7



FEATURES

NEXUS NWPST is a Bended Square shape Stainless Steel Tile Trim for Walls available in both SS304 and SS316L Grades in Polished and Brushed finishes.



SS 304 Polish Finish

Type	H (mm)	W (mm)	L (m)
NWPST 1208	8	12	2.7
NWPST 1210	10	12	2.7
NWPST 1212	12	12	2.7

SS 316 Polish Finish

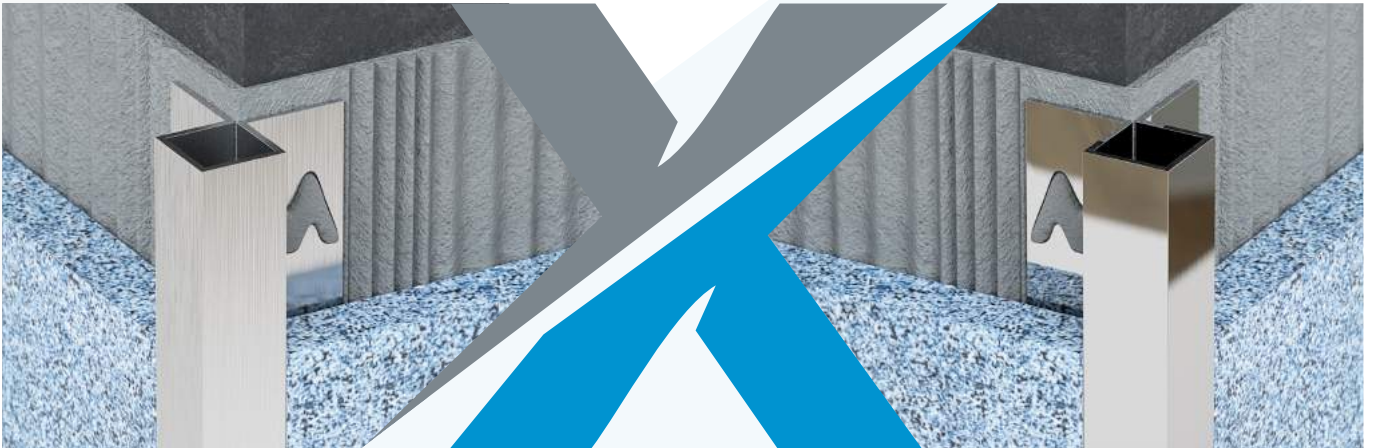
Type	H (mm)	W (mm)	L (m)
NWPSTL 1208	8	12	2.7
NWPSTL 1210	10	12	2.7
NWPSTL 1212	12	12	2.7

SS 304 Brush Finish

Type	H (mm)	W (mm)	L (m)
NWPST 1208	8	12	2.7
NWPST 1210	10	12	2.7
NWPST 1212	12	12	2.7

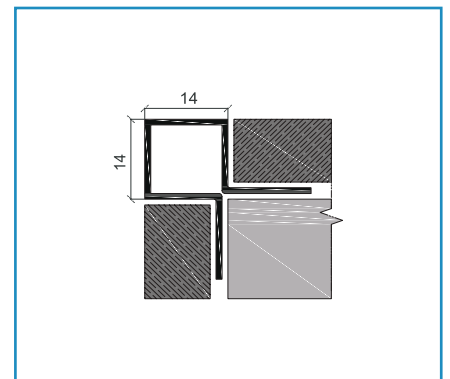
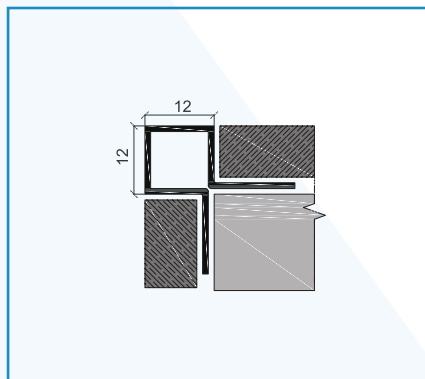
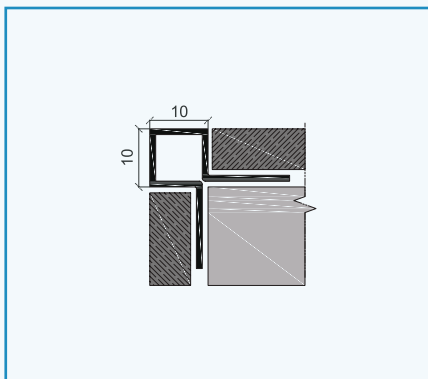
SS 316 Brush Finish

Type	H (mm)	W (mm)	L (m)
NWPSTLB 1208	8	12	2.7
NWPSTLB 1210	10	12	2.7
NWPSTLB 1212	12	12	2.7



FEATURES

NEXUS NDST profile is a Square shape Stainless Steel trim for Walls available in both SS304 and SS316L Grades available in Polished and Brushed finishes.



SS 304 Polish Finish

Type	H (mm)	W (mm)	L (m)
NDST 010	10	10	2.7
NDST 012	12	12	2.7
NDST 014	14	14	2.7

SS 316 Polish Finish

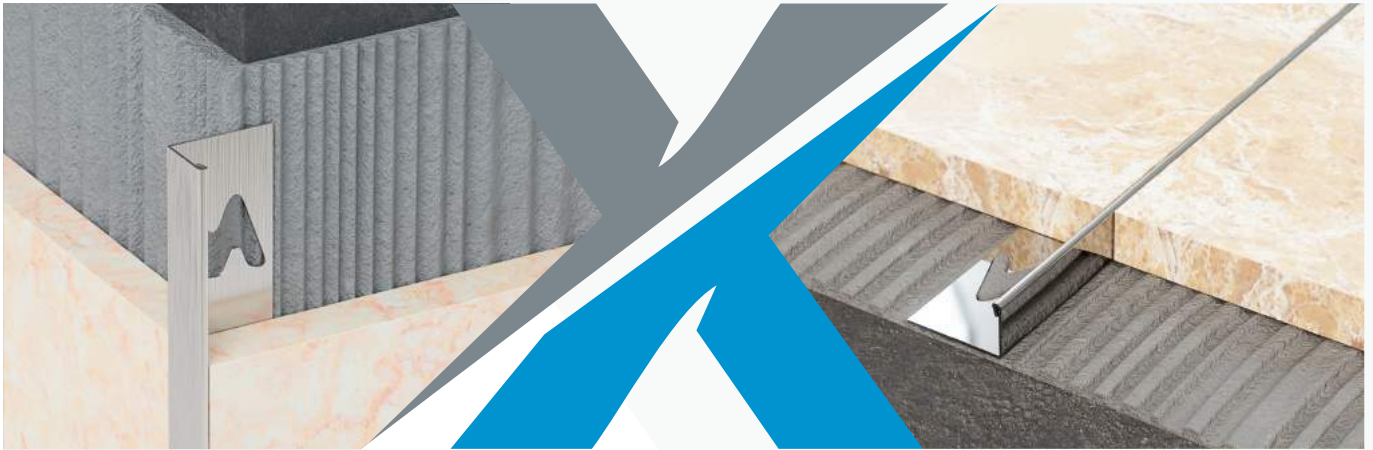
Type	H (mm)	W (mm)	L (m)
NDSTL 010	10	10	2.7
NDSTL 012	12	12	2.7
NDSTL 014	14	14	2.7

SS 304 Brush Finish

Type	H (mm)	W (mm)	L (m)
NDSTB 010	10	10	2.7
NDSTB 012	12	12	2.7
NDSTB 014	14	14	2.7

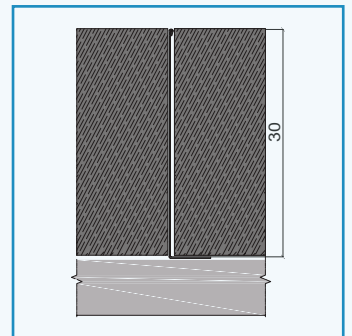
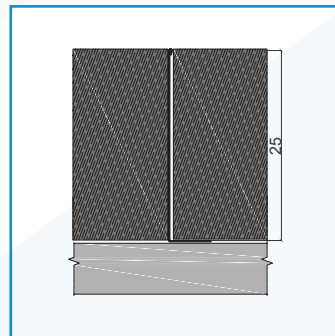
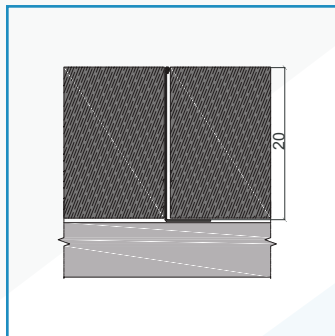
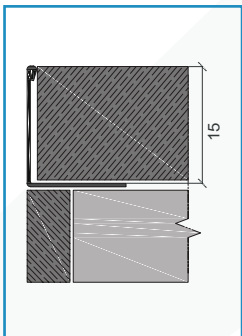
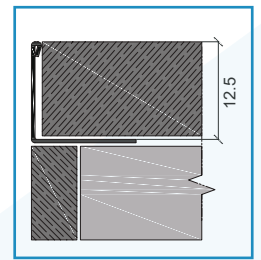
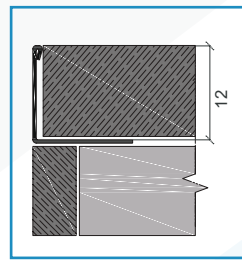
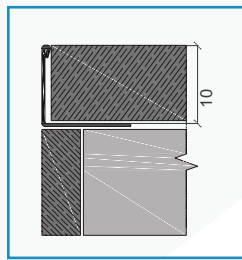
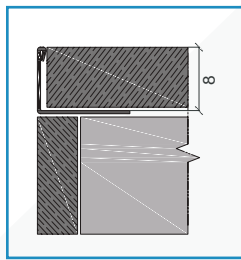
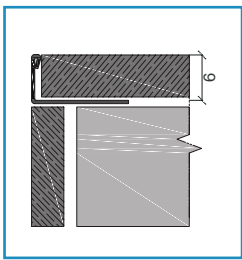
SS 316 Brush Finish

Type	H (mm)	W (mm)	L (m)
NDSTLB 010	8	12	2.7
NDSTLB 012	10	12	2.7
NDSTLB 014	12	12	2.7



FEATURES

NEXUS NLWF profile is an L shape Stainless Steel profile for Floors and Walls available in SS304 Grade in Polished and Brushed finish.

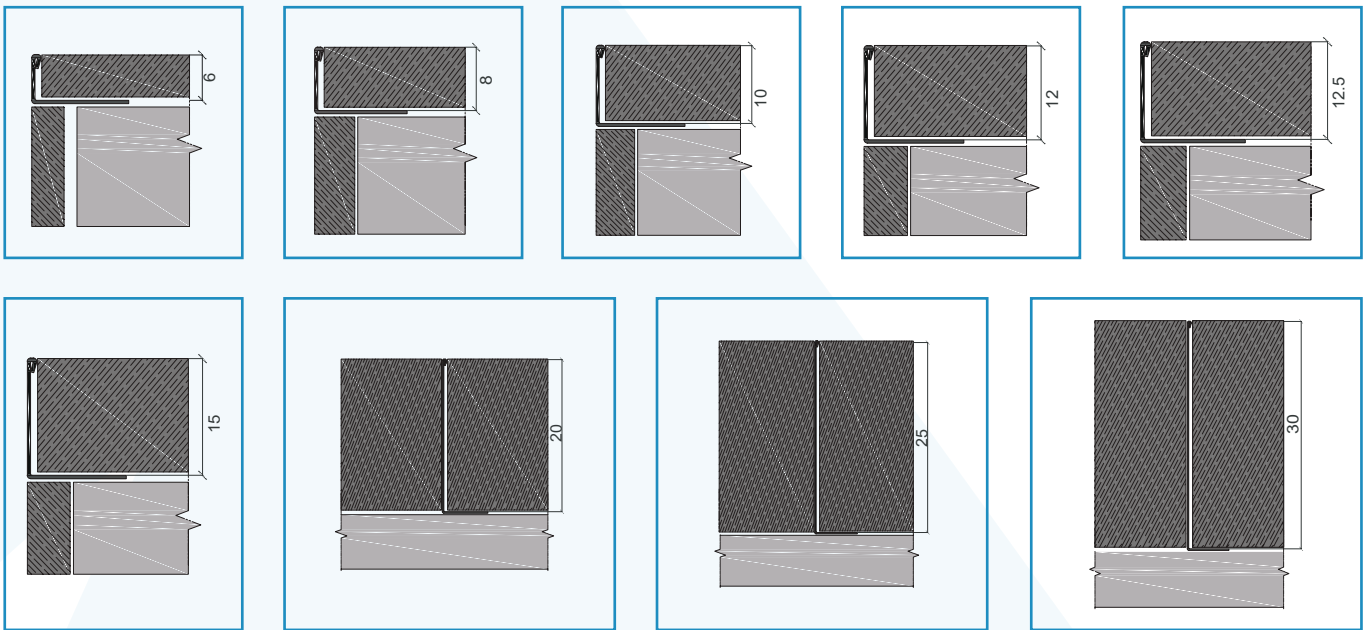


Type	H (mm)	L [m]
NLWF 06	6	2.7
NLWF 08	8	2.7
NLWF 10	10	2.7
NLWF 12	12	2.7
NLWF 12.5	12.5	2.7
NLWF 15	15	2.7
NLWF 20	20	2.7
NLWF 25	25	2.7
NLWF 30	30	2.7

Type	H (mm)	L [m]
NLWFB 06	6	2.7
NLWFB 08	8	2.7
NLWFB 10	10	2.7
NLWFB 12	12	2.7
NLWFB 12.5	12.5	2.7
NLWFB 15	15	2.7
NLWFB 20	20	2.7
NLWFB 25	25	2.7
NLWFB 30	30	2.7



FEATURES
 NEXUS NLWFL profile is a L shape Stainless Steel profile for Floors and Walls available in SS316L Grade in Polished and Brushed finish.



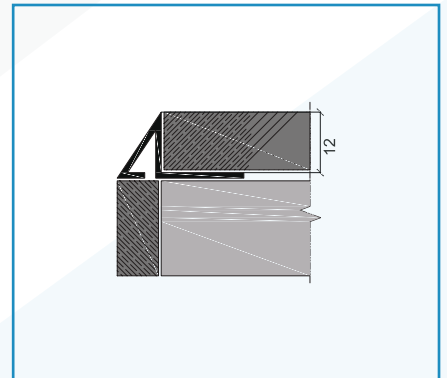
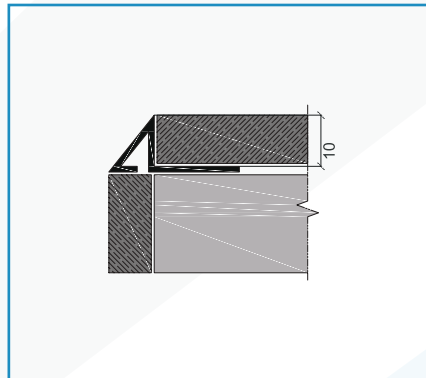
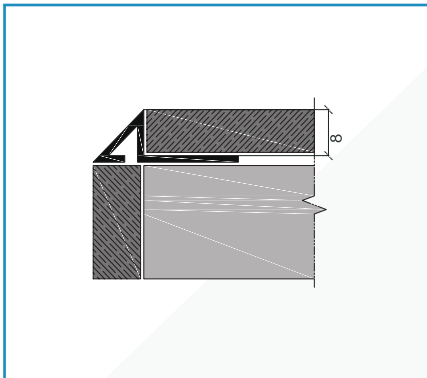
Type	H (mm)	L [m]
NLWFL 06	6	2.7
NLWFL 08	8	2.7
NLWFL 10	10	2.7
NLWFL 12	12	2.7
NLWFL 125	12.5	2.7
NLWFL 15	15	2.7
NLWFL 20	20	2.7
NLWFL 25	25	2.7
NLWFL 30	30	2.7

Type	H (mm)	L [m]
NLWFLB 06	6	2.7
NLWFLB 08	8	2.7
NLWFLB 10	10	2.7
NLWFLB 12	12	2.7
NLWFLB 125	12.5	2.7
NLWFLB 15	15	2.7
NLWFLB 20	20	2.7
NLWFLB 25	25	2.7
NLWFLB 30	30	2.7



FEATURES

NEXUS TRTT profile is a Stainless Steel Triangle Tile Trim in both SS304 and SS316L Grades in Polished and Brush finish.



SS 304 Polish Finish

Type	H (mm)	W (mm)	L (m)
TRTT 08	8	12	2.7
TRTT 10	10	12	2.7
TRTT 12	12	12	2.7

SS 316 Polish Finish

Type	H (mm)	W (mm)	L (m)
TRTTL 08	8	12	2.7
TRTTL 10	10	12	2.7
TRTTL 12	12	12	2.7

SS 304 Brush Finish

Type	H (mm)	W (mm)	L (m)
TRTTB 08	8	12	2.7
TRTTB 10	10	12	2.7
TRTTB 12	12	12	2.7

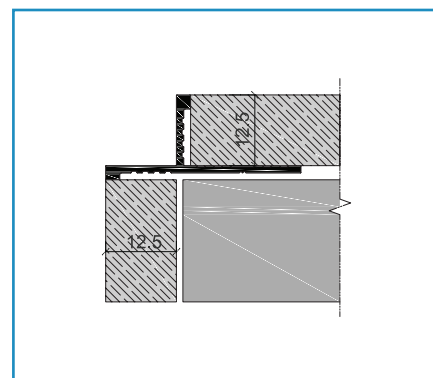
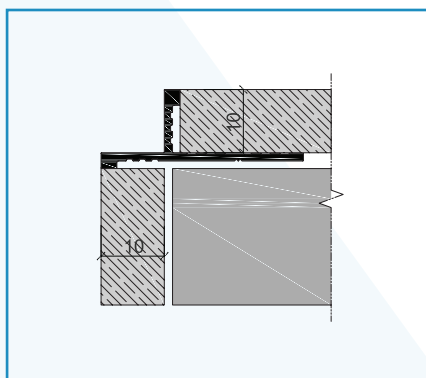
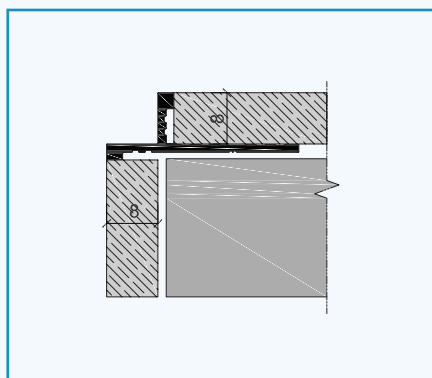
SS 316 Brush Finish

Type	H (mm)	W (mm)	L (m)
TRTTLB 08	8	12	2.7
TRTTLB 10	10	12	2.7
TRTTLB 12	12	12	2.7



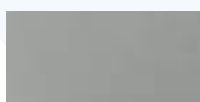
FEATURES

NEXUS NAVT is a V shape Aluminum Tile Trim profile for Walls in 11 Anodized colors.



Type	H (mm)	L (m)
NAVT 08	8	2.7
NAVT 010	10	2.7
NAVT 125	12.5	2.7

COLORS



Silver Matt



Silver Polish



Gold Matt



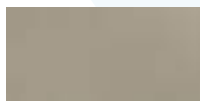
Gold Polish



741 Champ Matt



741 Champ Polish



743 Bronze Matt



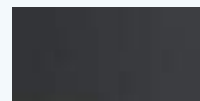
743 Bronze Polish



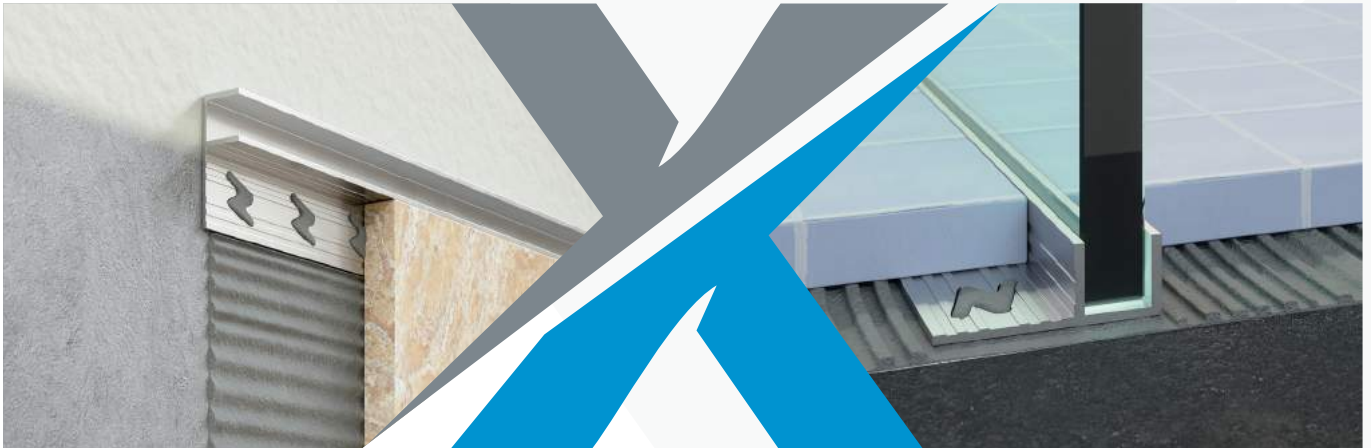
747 Bronze Matt



747 Bronze Polish

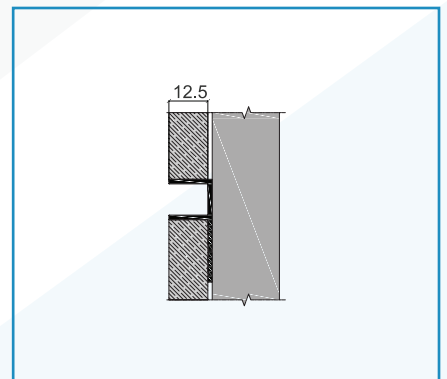
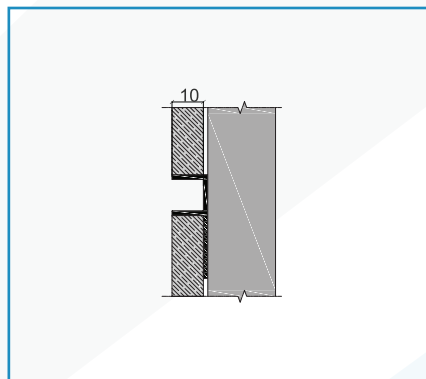
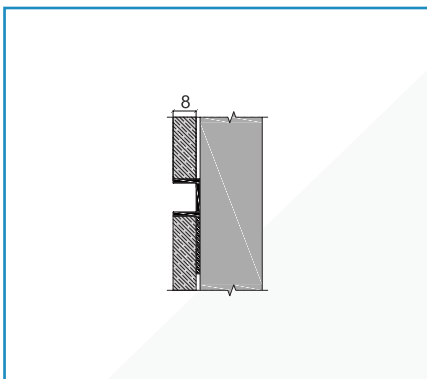


Black Matt



FEATURES

NEXUS NAUT is a Square shape Aluminum profile for Walls / Glass in 11 Anodized colors.



Type	H (mm)	W (mm)	L (m)
NAUT 08	8	13	2.7
NAUT 010	10	13	2.7
NAUT 125	12.5	13	2.7
NAUT 125/20	12.5	30	2.7

COLORS



Silver Matt



Silver Polish



Gold Matt



Gold Polish



741 Champ Matt



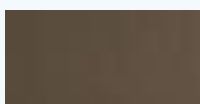
741 Champ Polish



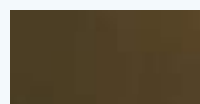
743 Bronze Matt



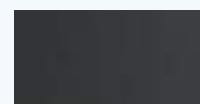
743 Bronze Polish



747 Bronze Matt



747 Bronze Polish

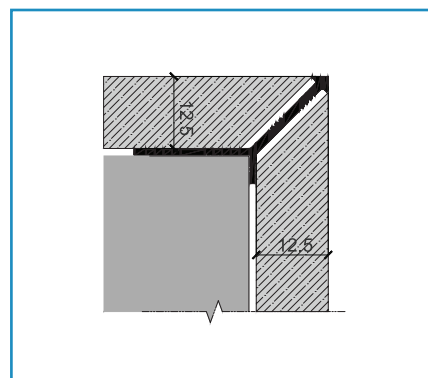
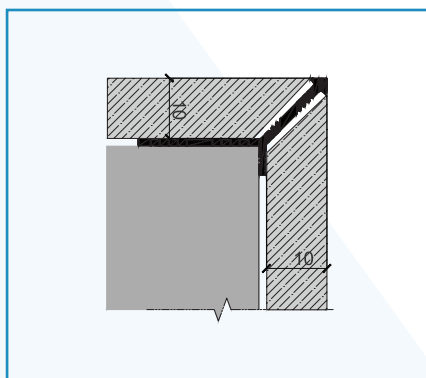
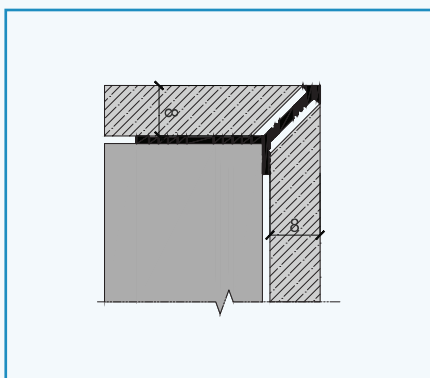


Black Matt



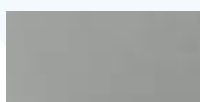
FEATURES

NEXUS NWT is a Aluminum Tile Trim profile for Walls in 11 Anodized colors.



Type	H (mm)	L (m)
NWT 08	8	2.7
NWT 010	10	2.7
NWT 125	12.5	2.7

COLORS



Silver Matt



Silver Polish



Gold Matt



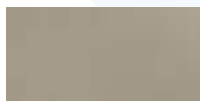
Gold Polish



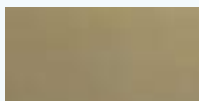
741 Champ Matt



741 Champ Polish



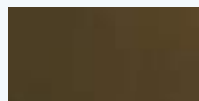
743 Bronze Matt



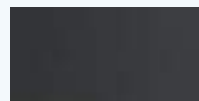
743 Bronze Polish



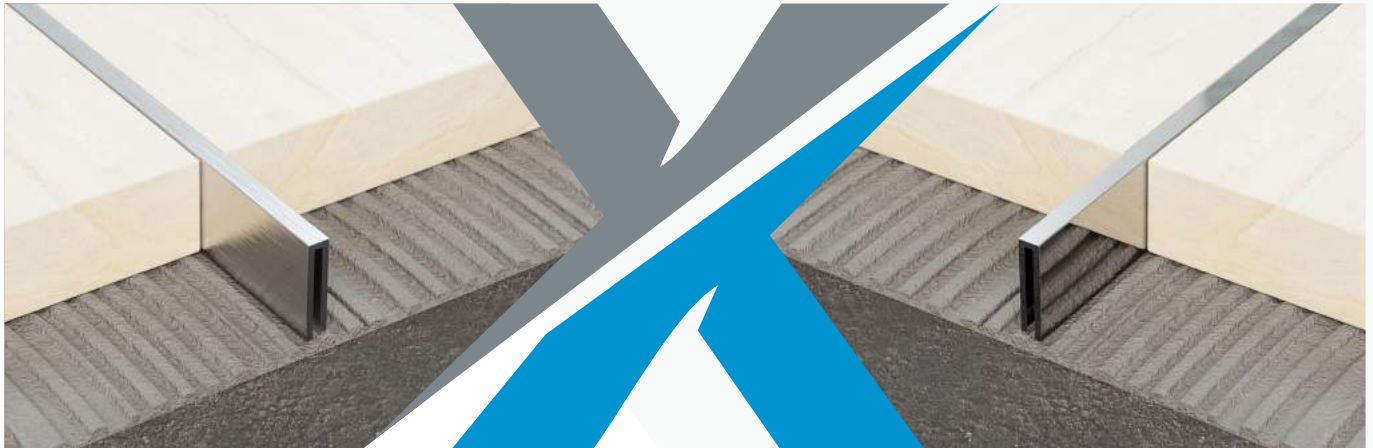
747 Bronze Matt



747 Bronze Polish

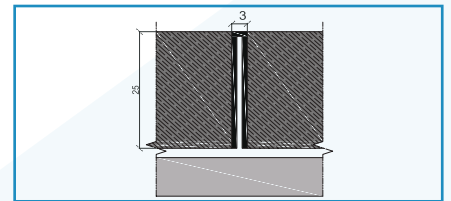
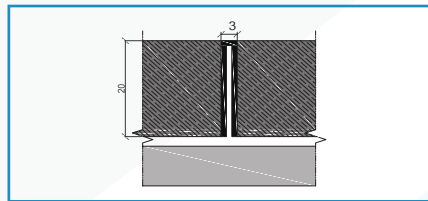
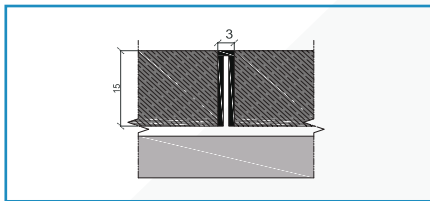
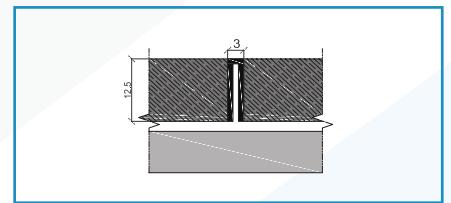
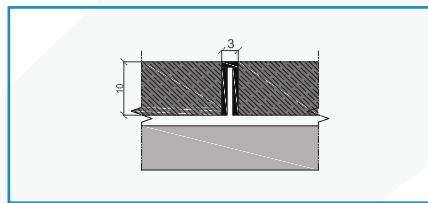
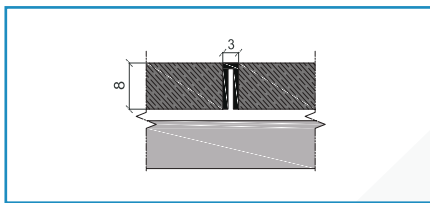


Black Matt



FEATURES

NEXUS NSC 03 profile is a Stainless Steel Channel profile for Floors and Walls in both SS304 and SS316L Grades in Polished and Brush finish.



SS 304 Polish Finish

Type	H (mm)	W (mm)	L (m)
NSC 0308	8	3	2.7
NSC 0310	10	3	2.7
NSC 0312	12	3	2.7
NSC 0315	15	3	2.7
NSC 0320	20	3	2.7
NSC 0325	25	3	2.7

SS 316 Polish Finish

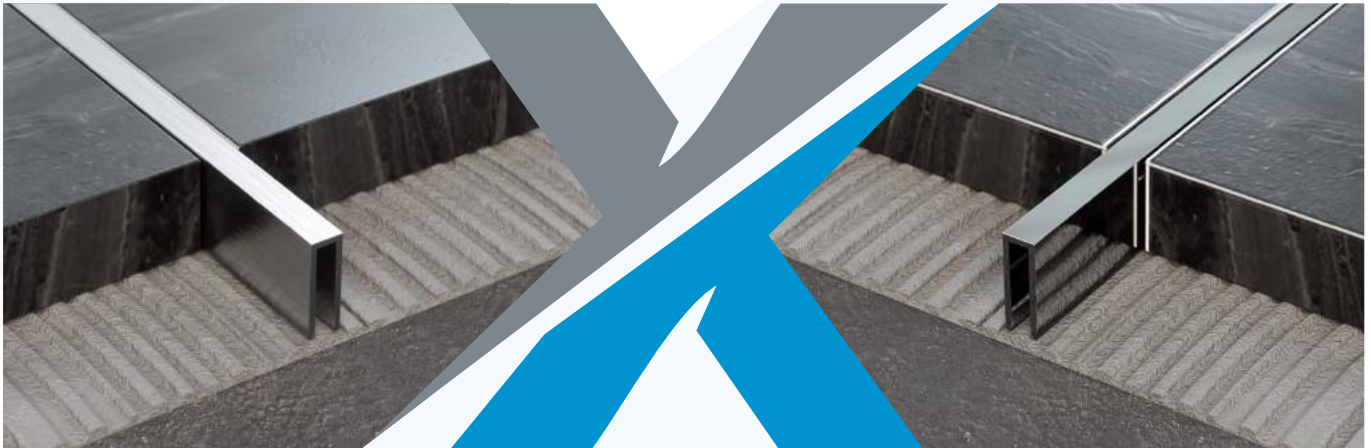
Type	H (mm)	W (mm)	L (m)
NSCL 0308	8	3	2.7
NSCL 0310	10	3	2.7
NSCL 0312	12	3	2.7
NSCL 0315	10	3	2.7
NSCL 0320	12	3	2.7
NSCL 0325	10	3	2.7

SS 304 Brush Finish

Type	H (mm)	W (mm)	L (m)
NSCB 0308	8	3	2.7
NSCB 0310	10	3	2.7
NSCB 0312	12	3	2.7
NSCB 0315	10	3	2.7
NSCB 0320	12	3	2.7
NSCB 0325	10	3	2.7

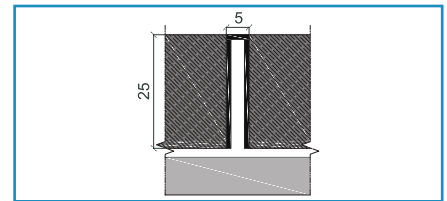
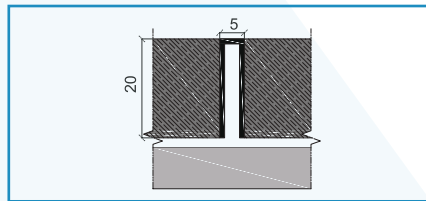
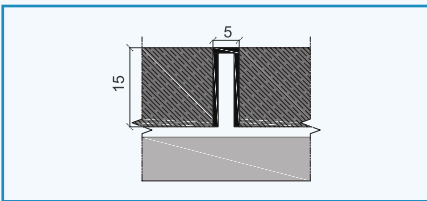
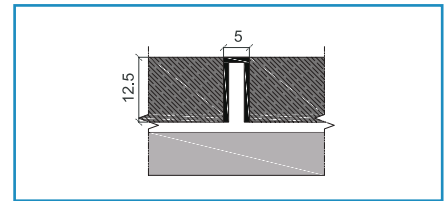
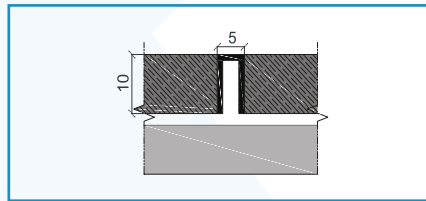
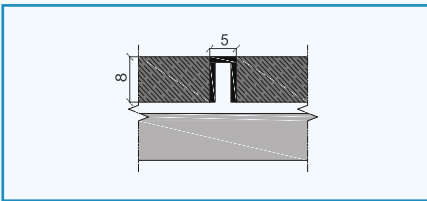
SS 316 Brush Finish

Type	H (mm)	W (mm)	L (m)
NSCLB 0308	8	3	2.7
NSCLB 0310	10	3	2.7
NSCLB 0312	12	3	2.7
NSCLB 0315	10	3	2.7
NSCLB 0320	12	3	2.7
NSCLB 0325	10	3	2.7



FEATURES

NEXUS NSC 05 profile is a Stainless Steel Channel profile for Floors and Walls in both SS304 and SS316L Grades in Polished and Brush finish.



SS 304 Polish Finish

Type	H (mm)	W (mm)	L (m)
NSC 0508	8	3	2.7
NSC 0510	10	3	2.7
NSC 0512	12	3	2.7
NSC 0515	15	3	2.7
NSC 0520	20	3	2.7
NSC 0525	25	3	2.7

SS 316 Polish Finish

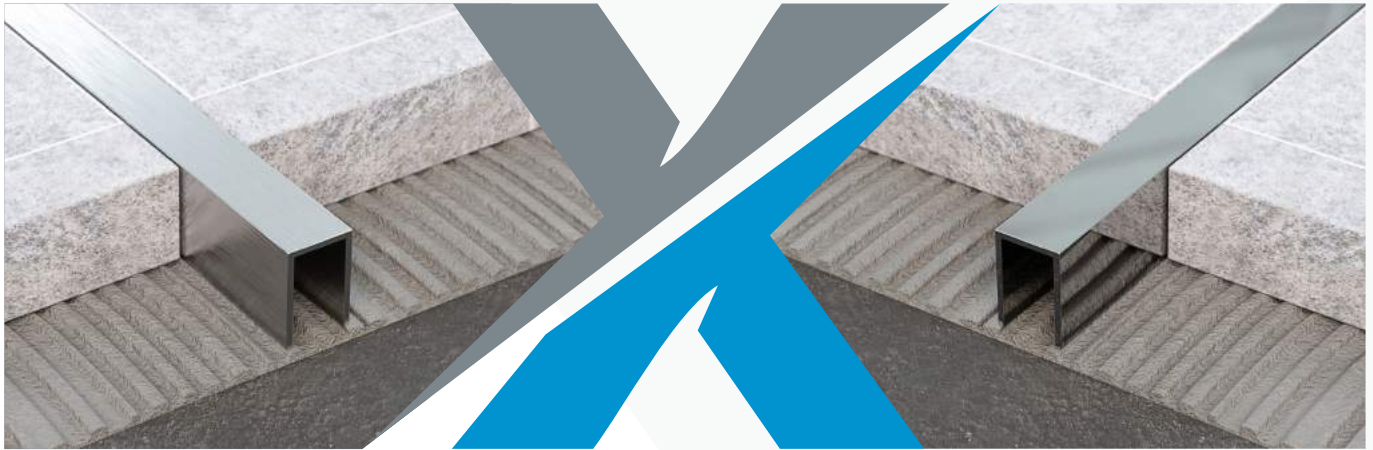
Type	H (mm)	W (mm)	L (m)
NSCL 0508	8	12	2.7
NSCL 0510	10	12	2.7
NSCL 0512	12	12	2.7
NSCL 0515	10	12	2.7
NSCL 0520	12	12	2.7
NSCL 0525	10	12	2.7

SS 304 Brush Finish

Type	H (mm)	W (mm)	L (m)
NSCB 0508	8	12	2.7
NSCB 0510	10	12	2.7
NSCB 0512	12	12	2.7
NSCB 0515	10	12	2.7
NSCB 0520	12	12	2.7
NSCB 0525	10	12	2.7

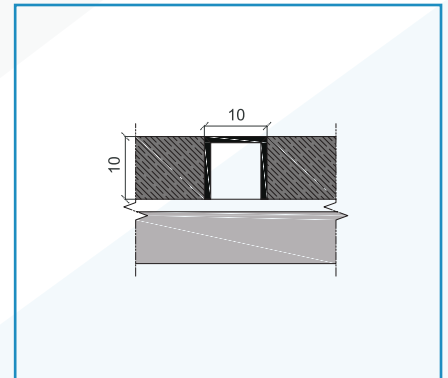
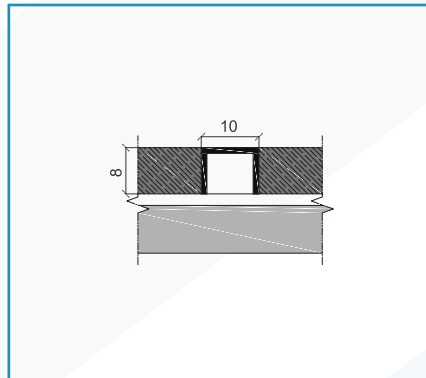
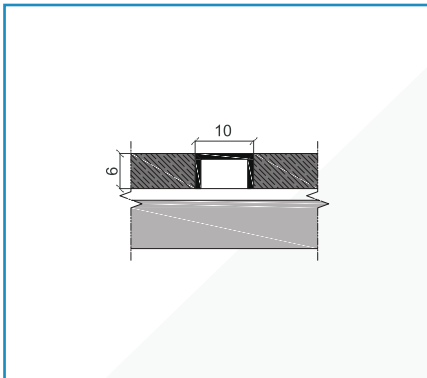
SS 316 Brush Finish

Type	H (mm)	W (mm)	L (m)
NSCLB 0508	8	12	2.7
NSCLB 0510	10	12	2.7
NSCLB 0512	12	12	2.7
NSCLB 0515	10	12	2.7
NSCLB 0520	12	12	2.7
NSCLB 0525	10	12	2.7



FEATURES

NEXUS NSC 10 profile is a Stainless Steel Channel for profile Floors and Walls in both SS304 and SS316L Grades in Polished and Brush finish.



SS 304 Polish Finish

Type	H (mm)	W (mm)	L (m)
NSC 1006	6	10	2.7
NSC 1008	8	10	2.7
NSC 1010	10	10	2.7

SS 316 Polish Finish

Type	H (mm)	W (mm)	L (m)
NSCL 1006	6	10	2.7
NSCL 1008	8	10	2.7
NSCL 1010	10	10	2.7

SS 304 Brush Finish

Type	H (mm)	W (mm)	L (m)
NSCB 1006	6	10	2.7
NSCB 1008	8	10	2.7
NSCB 1010	10	10	2.7

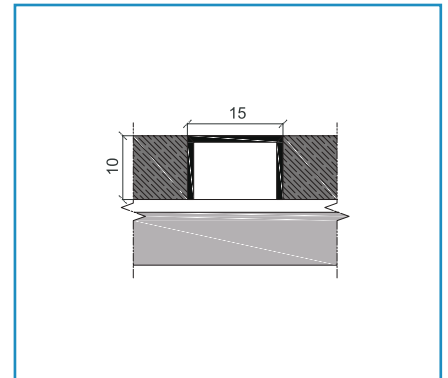
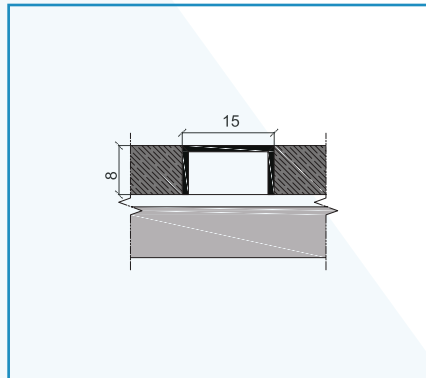
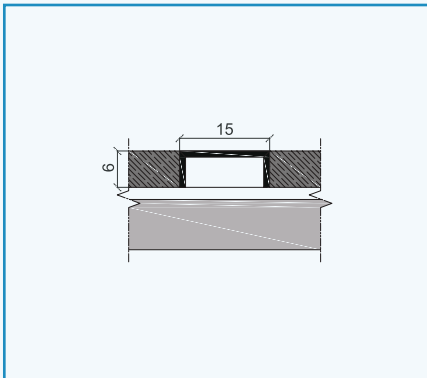
SS 316 Brush Finish

Type	H (mm)	W (mm)	L (m)
NSCB 1006	6	10	2.7
NSCB 1008	8	10	2.7
NSCB 1010	10	10	2.7



FEATURES

NEXUS NSC 15 profile is a Stainless Steel Channel for profile Floors and Walls in both SS304 and SS316L Grades in Polished and Brush finish.



SS 304 Polish Finish

Type	H (mm)	W (mm)	L (m)
NSC 1506	6	15	2.7
NSC 1508	8	15	2.7
NSC 1510	10	15	2.7

SS 316 Polish Finish

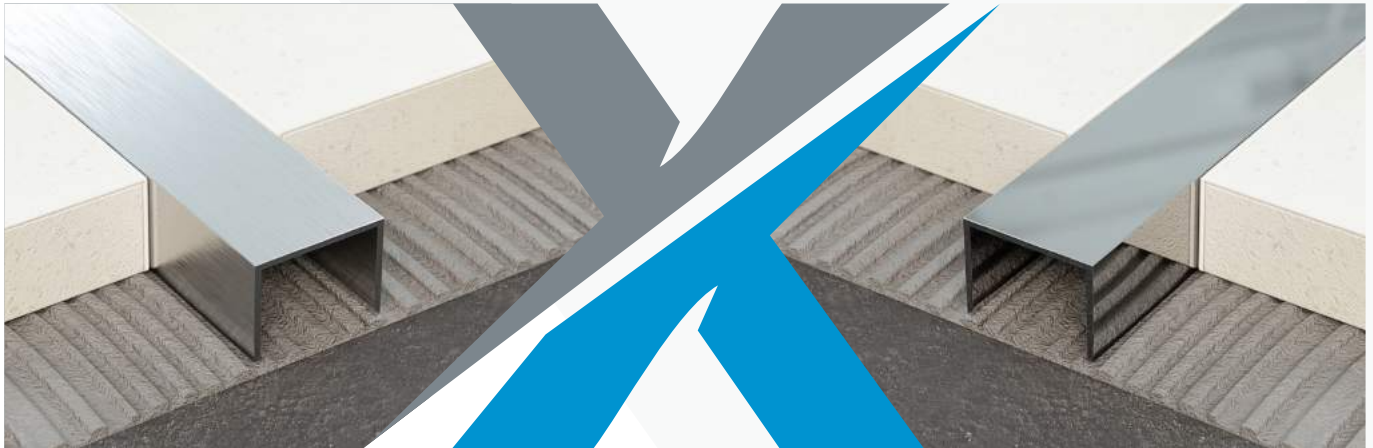
Type	H (mm)	W (mm)	L (m)
NSCL 1506	6	15	2.7
NSCL 1508	8	15	2.7
NSCL 1510	10	15	2.7

SS 304 Brush Finish

Type	H (mm)	W (mm)	L (m)
NSCB 1506	6	15	2.7
NSCB 1508	8	15	2.7
NSCB 1510	10	15	2.7

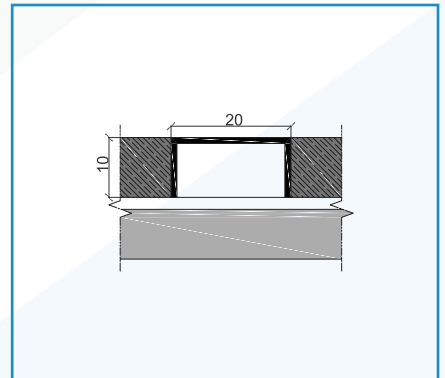
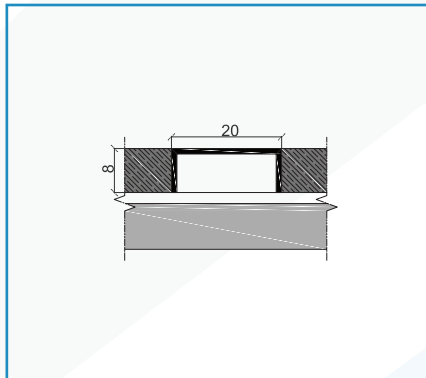
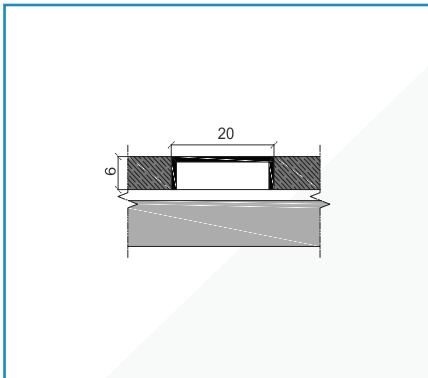
SS 316 Brush Finish

Type	H (mm)	W (mm)	L (m)
NSCLB 1506	6	15	2.7
NSCLB 1508	8	15	2.7
NSCLB 1510	10	15	2.7



FEATURES

NEXUS NSC 20 profile is a Stainless Steel Channel for profile Floors and Walls in both SS304 and SS316L Grades in Polished and Brush finish.



SS 304 Polish Finish

Type	H (mm)	W (mm)	L (m)
NSC 2006	6	20	2.7
NSC 2008	8	20	2.7
NSC 2010	10	20	2.7

SS 316 Polish Finish

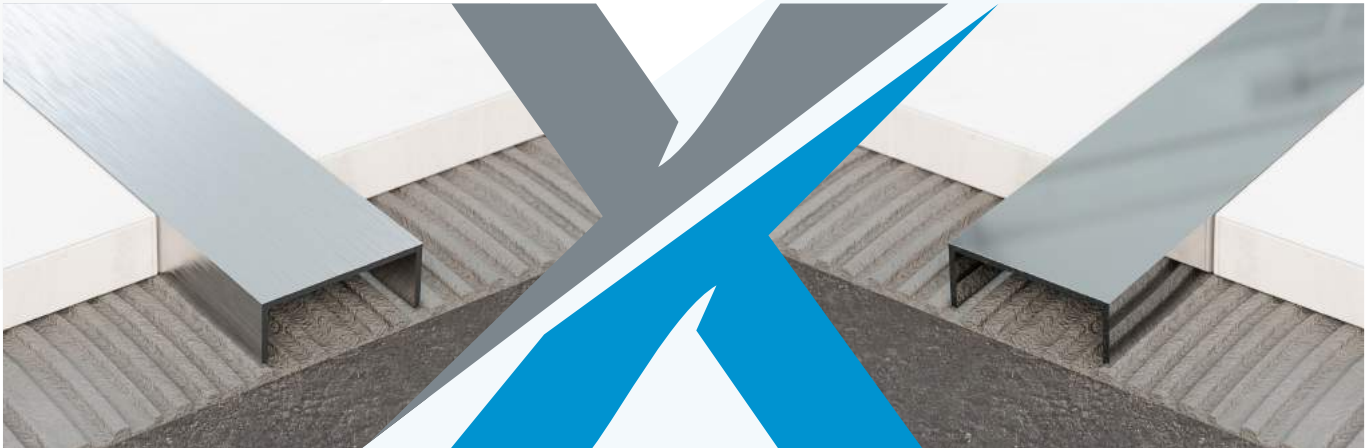
Type	H (mm)	W (mm)	L (m)
NSCL 2006	6	20	2.7
NSCL 2008	8	20	2.7
NSCL 2010	10	20	2.7

SS 304 Brush Finish

Type	H (mm)	W (mm)	L (m)
NSCB 2006	6	20	2.7
NSCB 2008	8	20	2.7
NSCB 2010	10	20	2.7

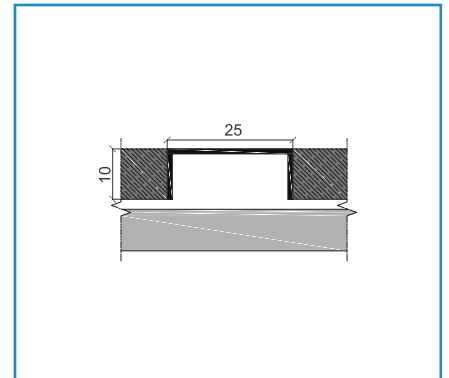
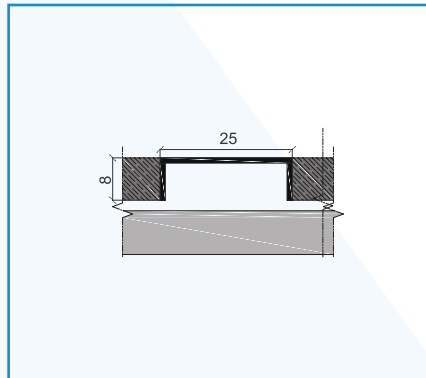
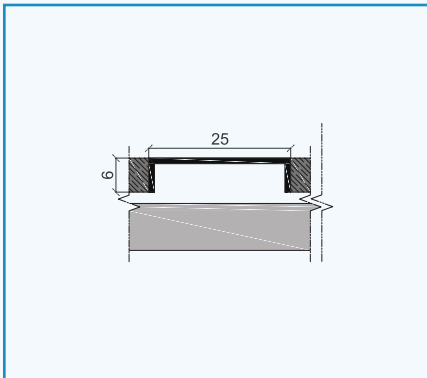
SS 316 Brush Finish

Type	H (mm)	W (mm)	L (m)
NSCLB 2006	6	20	2.7
NSCLB 2008	8	20	2.7
NSCLB 2010	10	20	2.7



FEATURES

NEXUS NSC 20 profile is a Stainless Steel Channel for profile Floors and Walls in both SS304 and SS316L Grades in Polished and Brush finish.



SS 304 Polish Finish

Type	H (mm)	W (mm)	L (m)
NSC 2506	6	25	2.7
NSC 2508	8	25	2.7
NSC 2510	10	25	2.7

SS 316 Polish Finish

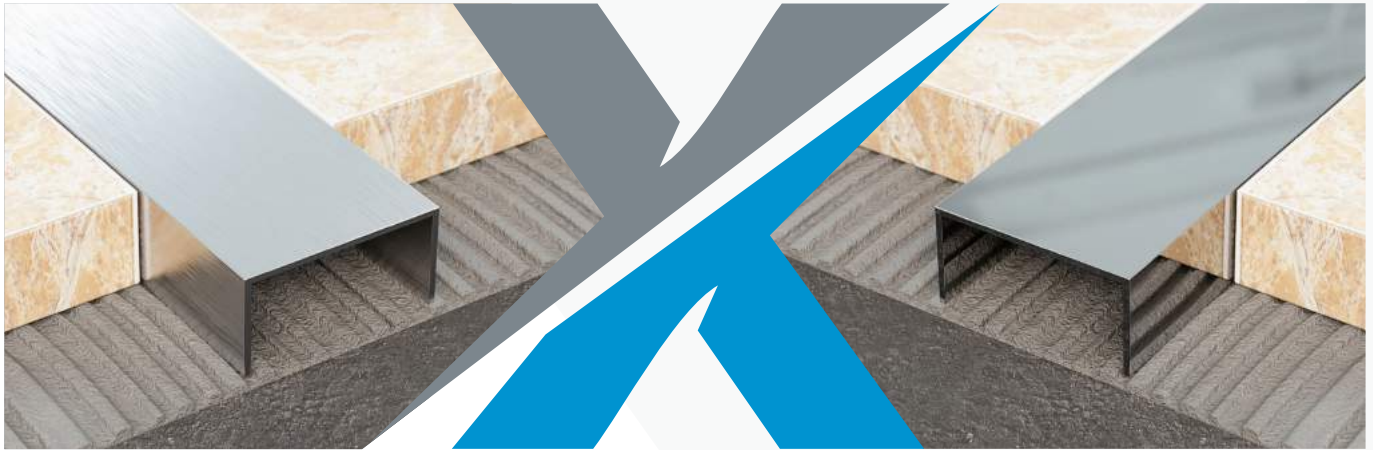
Type	H (mm)	W (mm)	L (m)
NSCL 2506	6	25	2.7
NSCL 2508	8	25	2.7
NSCL 2510	10	25	2.7

SS 304 Brush Finish

Type	H (mm)	W (mm)	L (m)
NSCB 2506	6	25	2.7
NSCB 2508	8	25	2.7
NSCB 2510	10	25	2.7

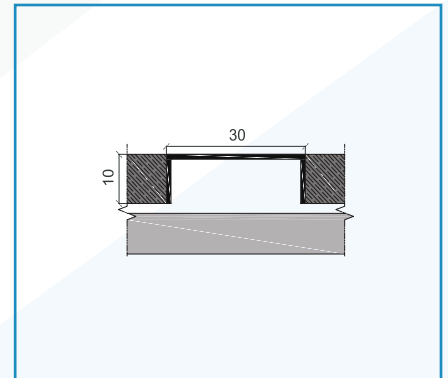
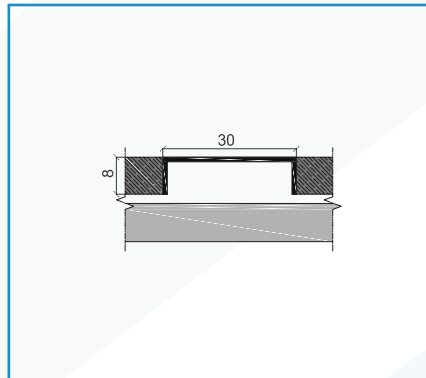
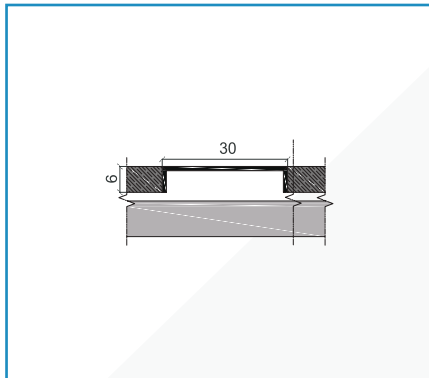
SS 316 Brush Finish

Type	H (mm)	W (mm)	L (m)
NSCLB 2506	6	25	2.7
NSCLB 2508	8	25	2.7
NSCLB 2510	10	25	2.7



FEATURES

NEXUS NSC 30 profile is a Stainless Steel Channel for profile Floors and Walls in both SS304 and SS316L Grades in Polished and Brush finish.



SS 304 Polish Finish

Type	H (mm)	W (mm)	L (m)
NSC 3006	6	30	2.7
NSC 3008	8	30	2.7
NSC 3010	10	30	2.7

SS 316 Polish Finish

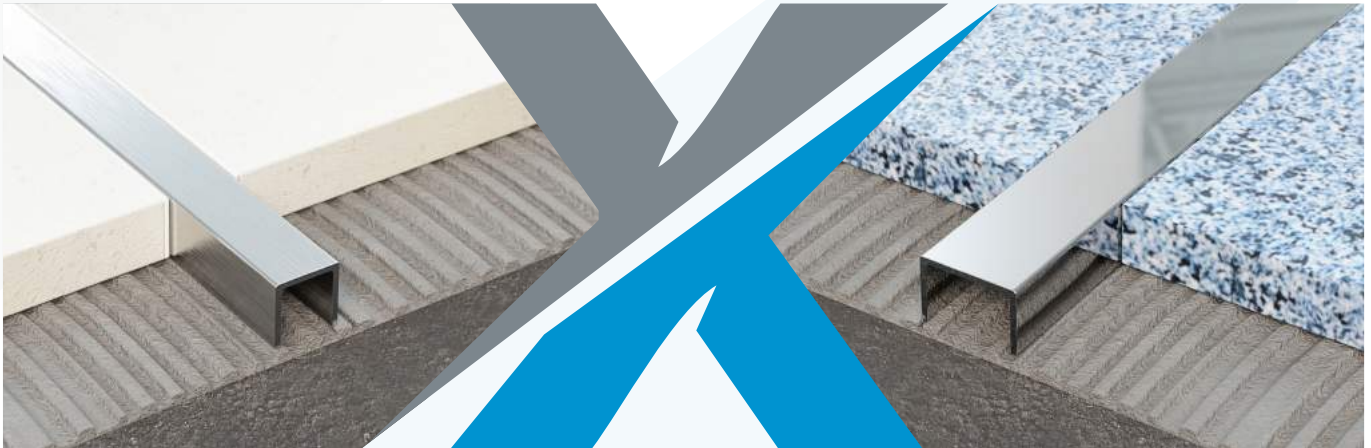
Type	H (mm)	W (mm)	L (m)
NSCL 3006	6	30	2.7
NSCL 3008	8	30	2.7
NSCL 3010	10	30	2.7

SS 304 Brush Finish

Type	H (mm)	W (mm)	L (m)
NSCB 3006	6	30	2.7
NSCB 3008	8	30	2.7
NSCB 3010	10	30	2.7

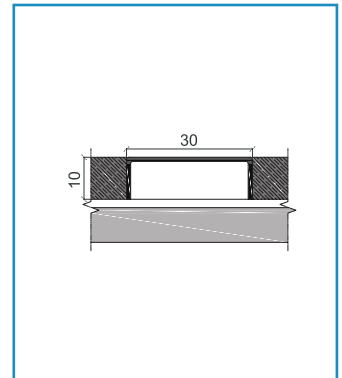
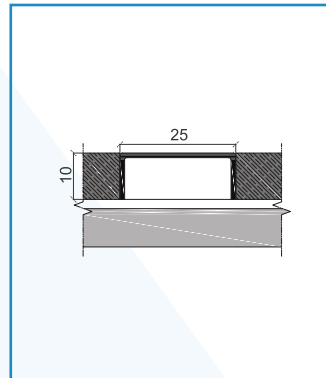
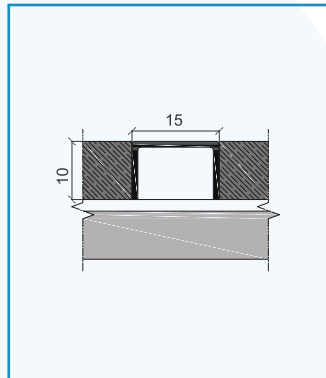
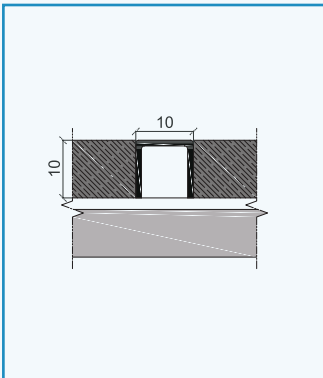
SS 316 Brush Finish

Type	H (mm)	W (mm)	L (m)
NSCLB 3006	6	30	2.7
NSCLB 3008	8	30	2.7
NSCLB 3010	10	30	2.7



FEATURES

NEXUS NPSC 10 / 15 / 25 / 30 profile is a Bended Stainless Steel Channel for Floors and Walls available in both SS304 and SS316L Grades in Polished and Brushed finishes.



1010

SS 304 Polish Finish

Type	H (mm)	W (mm)	L (m)
NPSC 1010	10	10	2.7

SS 304 Brush Finish

Type	H (mm)	W (mm)	L (m)
NPSCB 1010	10	10	2.7

SS 316 Polish Finish

Type	H (mm)	W (mm)	L (m)
NPSC 1010	10	10	2.7

SS 316 Brush Finish

Type	H (mm)	W (mm)	L (m)
NPSCB 1010	10	10	2.7

1510

SS 304 Polish Finish

Type	H (mm)	W (mm)	L (m)
NPSC 1510	10	15	2.7

SS 304 Brush Finish

Type	H (mm)	W (mm)	L (m)
NPSCB 1510	10	15	2.7

SS 316 Polish Finish

Type	H (mm)	W (mm)	L (m)
NPSC 1510	10	15	2.7

SS 316 Brush Finish

Type	H (mm)	W (mm)	L (m)
NPSCB 1510	10	15	2.7

2510

SS 304 Polish Finish

Type	H (mm)	W (mm)	L (m)
NPSC 2510	25	15	2.7

SS 304 Brush Finish

Type	H (mm)	W (mm)	L (m)
NPSCB 2510	25	15	2.7

SS 316 Polish Finish

Type	H (mm)	W (mm)	L (m)
NPSC 2510	25	15	2.7

SS 316 Brush Finish

Type	H (mm)	W (mm)	L (m)
NPSCB 2510	25	15	2.7

3010

SS 304 Polish Finish

Type	H (mm)	W (mm)	L (m)
NPSC 3010	25	30	2.7

SS 304 Brush Finish

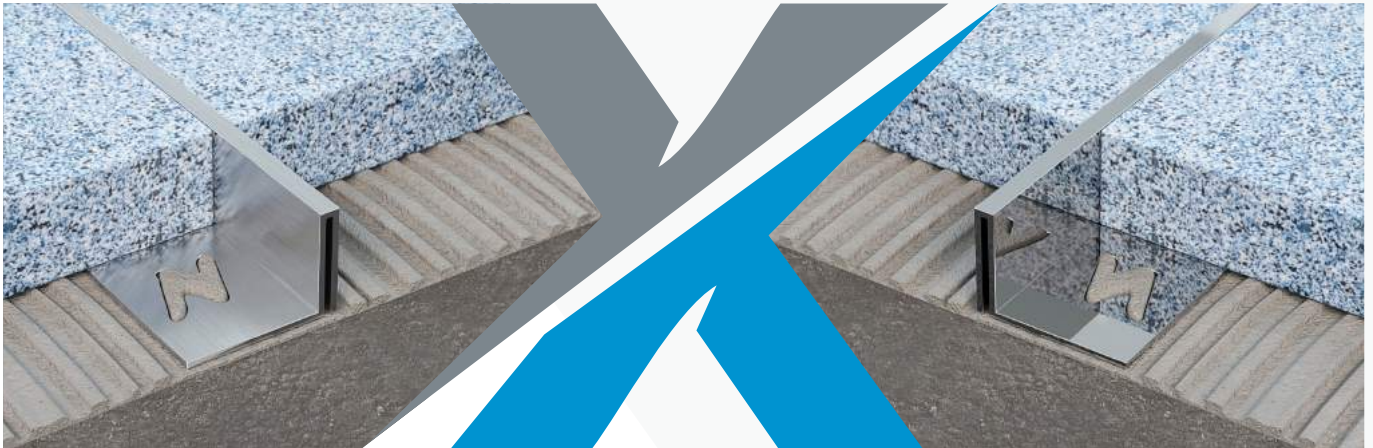
Type	H (mm)	W (mm)	L (m)
NPSCB 3010	25	30	2.7

SS 316 Polish Finish

Type	H (mm)	W (mm)	L (m)
NPSC 3010	25	30	2.7

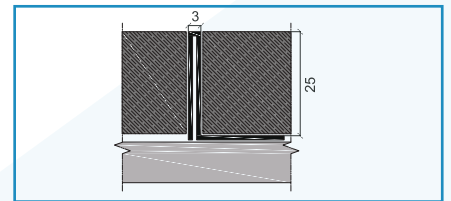
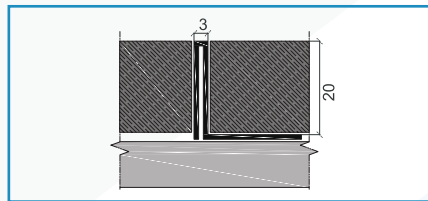
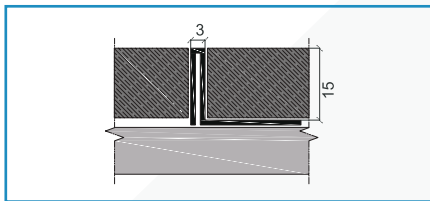
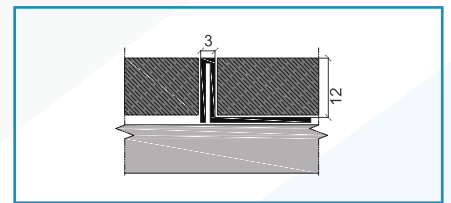
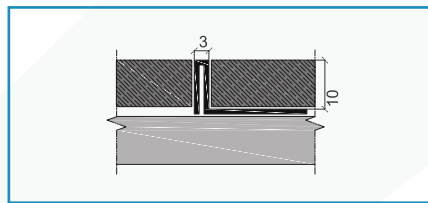
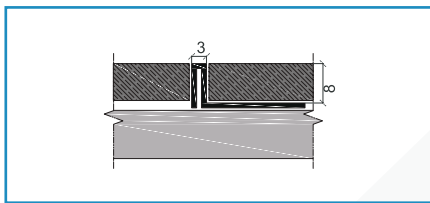
SS 316 Brush Finish

Type	H (mm)	W (mm)	L (m)
NPSCB 3010	25	30	2.7



FEATURES

NEXUS NFSF 03 profile is a Stainless Steel profile for Floors in both SS304 and SS316L Grades in Polished and Brush finish.



SS 304 Polish Finish

Type	H (mm)	W (mm)	L (m)
NFSF 0308	8	3	2.7
NFSF 0310	10	3	2.7
NFSF 0312	12	3	2.7
NFSF 0315	15	3	2.7
NFSF 0320	20	3	2.7
NFSF 0325	25	3	2.7

SS 316 Polish Finish

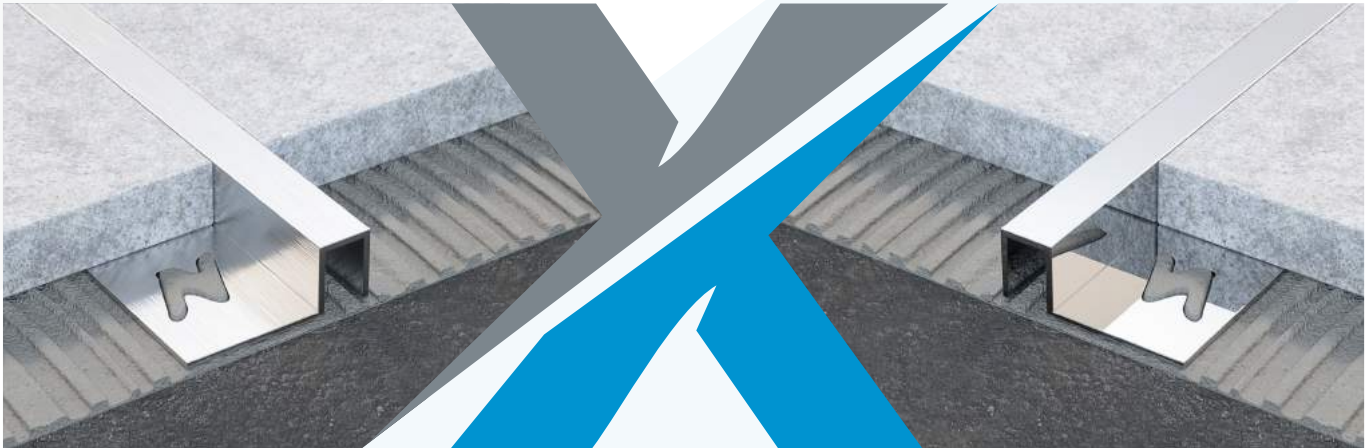
Type	H (mm)	W (mm)	L (m)
NFSFL 0308	8	3	2.7
NFSFL 0310	10	3	2.7
NFSFL 0312	12	3	2.7
NFSFL 0315	10	3	2.7
NFSFL 0320	12	3	2.7
NFSFL 0325	10	3	2.7

SS 304 Brush Finish

Type	H (mm)	W (mm)	L (m)
NFSFB 0308	8	3	2.7
NFSFB 0310	10	3	2.7
NFSFB 0312	12	3	2.7
NFSFB 0315	10	3	2.7
NFSFB 0320	12	3	2.7
NFSFB 0325	10	3	2.7

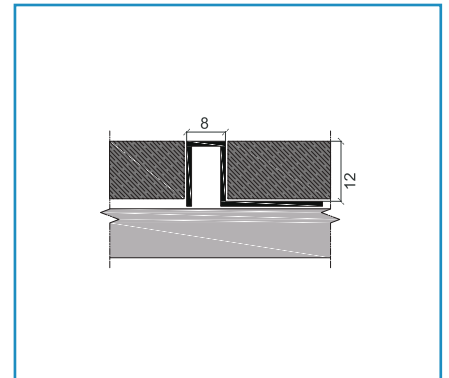
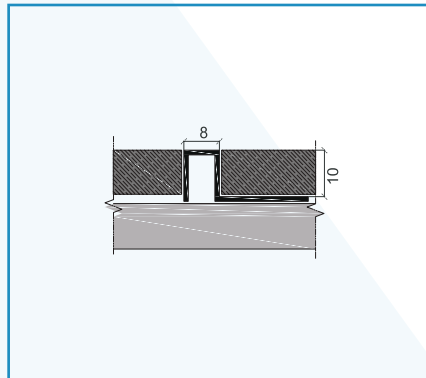
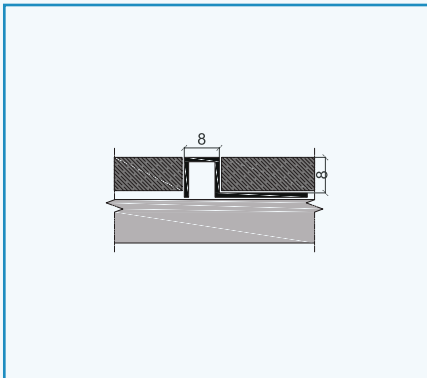
SS 316 Brush Finish

Type	H (mm)	W (mm)	L (m)
NFSFLB 0308	8	3	2.7
NFSFLB 0310	10	3	2.7
NFSFLB 0312	12	3	2.7
NFSFLB 0315	10	3	2.7
NFSFLB 0320	12	3	2.7
NFSFLB 0325	10	3	2.7



FEATURES

NEXUS NFSF..08 profile is a Stainless Steel Tile Trim for profile Walls in both SS304 and SS316L Grades in Polished and Brush finish.



SS 304 Polish Finish

Type	H (mm)	W (mm)	L (m)
NFSF 0808	8	8	2.7
NFSF 0810	10	8	2.7
NFSF 0812	12	8	2.7

SS 316 Polish Finish

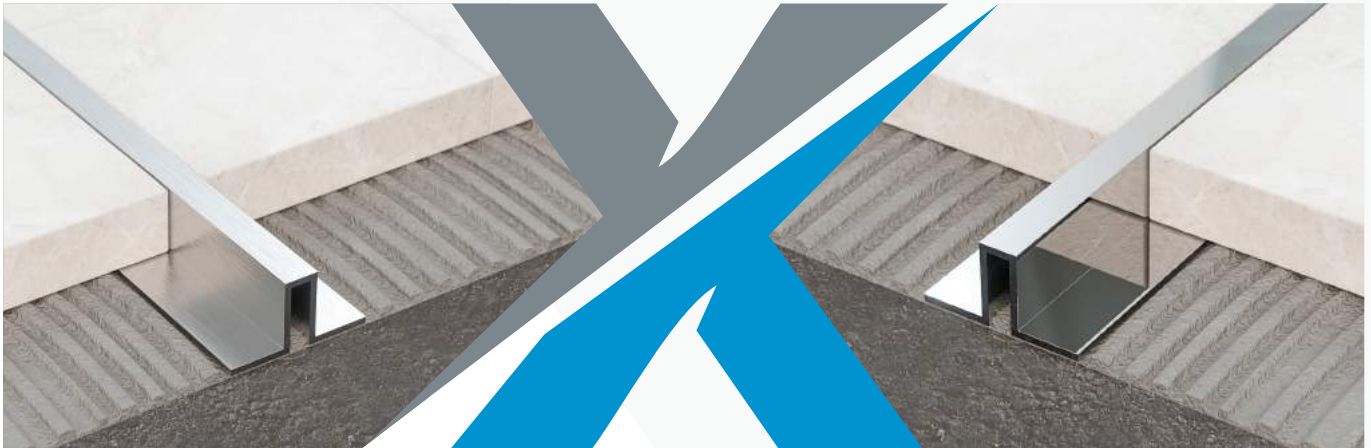
Type	H (mm)	W (mm)	L (m)
NFSFL 0808	8	8	2.7
NFSFL 0810	10	8	2.7
NFSFL 0812	12	8	2.7

SS 304 Brush Finish

Type	H (mm)	W (mm)	L (m)
NFSF 0808	8	8	2.7
NFSF 0810	10	8	2.7
NFSF 0812	12	8	2.7

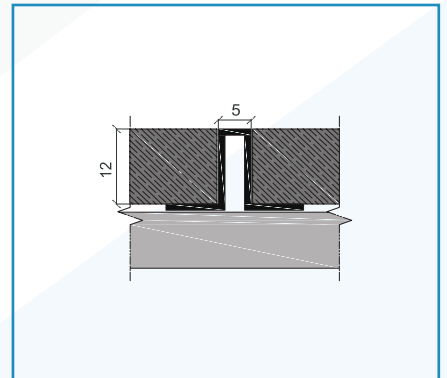
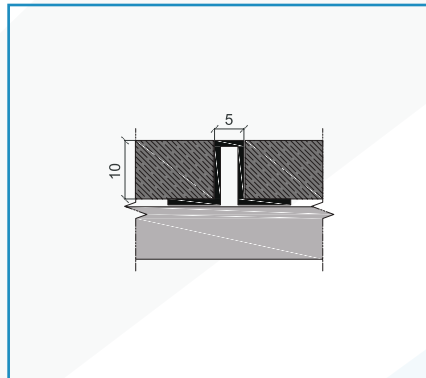
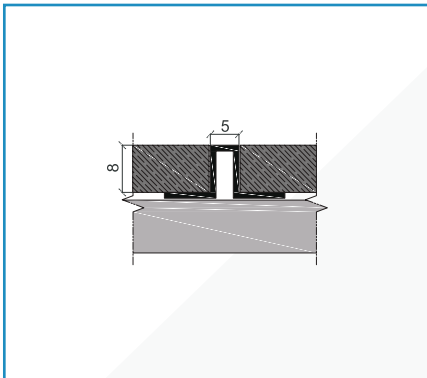
SS 316 Brush Finish

Type	H (mm)	W (mm)	L (m)
NFSFB 0808	8	8	2.7
NFSFB 0810	10	8	2.7
NFSFB 0812	12	8	2.7



FEATURES

NEXUS NOSC 05 profile is a Stainless Steel Channel for profile Floors and Walls in both SS304 and SS316L Grades in Polished and Brush finish.



SS 304 Polish Finish

Type	H (mm)	W (mm)	L (m)
NOSC 0508	8	5	2.7
NOSC 0510	10	5	2.7
NOSC 0512	12	5	2.7

SS 316 Polish Finish

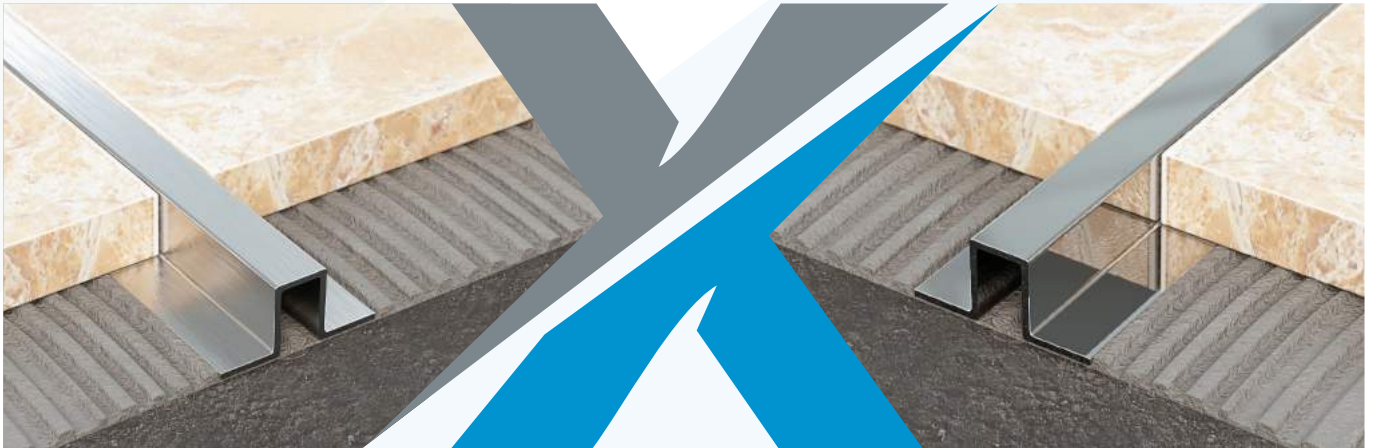
Type	H (mm)	W (mm)	L (m)
NOSCL 0508	8	5	2.7
NOSCL 0510	10	5	2.7
NOSCL 0512	12	5	2.7

SS 304 Brush Finish

Type	H (mm)	W (mm)	L (m)
NOSCB 0508	8	5	2.7
NOSCB 0510	10	5	2.7
NOSCB 0512	12	5	2.7

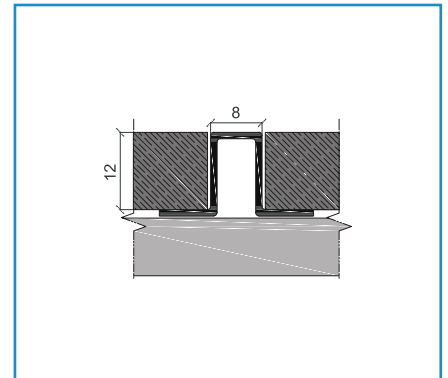
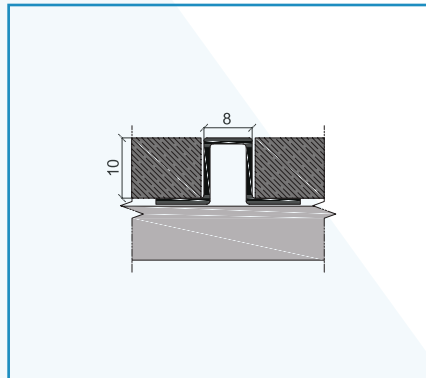
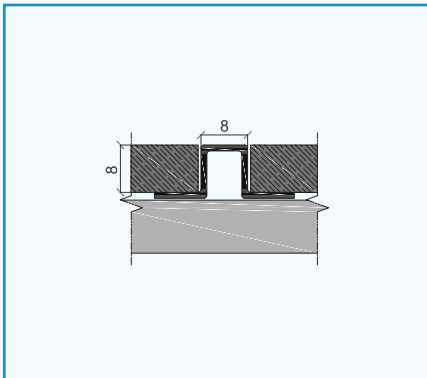
SS 316 Brush Finish

Type	H (mm)	W (mm)	L (m)
NOSCLB 0508	8	5	2.7
NOSCLB 0510	10	5	2.7
NOSCLB 0512	12	5	2.7



FEATURES

NEXUS NOPSC 08 profile is a Stainless Steel Channel for Floors and Walls in both SS304 and SS316L Grades in Polished and Brush finish.



SS 304 Polish Finish

Type	H (mm)	W (mm)	L (m)
NOPSC 0808	8	8	2.7
NOPSC 0810	10	8	2.7
NOPSC 0812	12	8	2.7

SS 316 Polish Finish

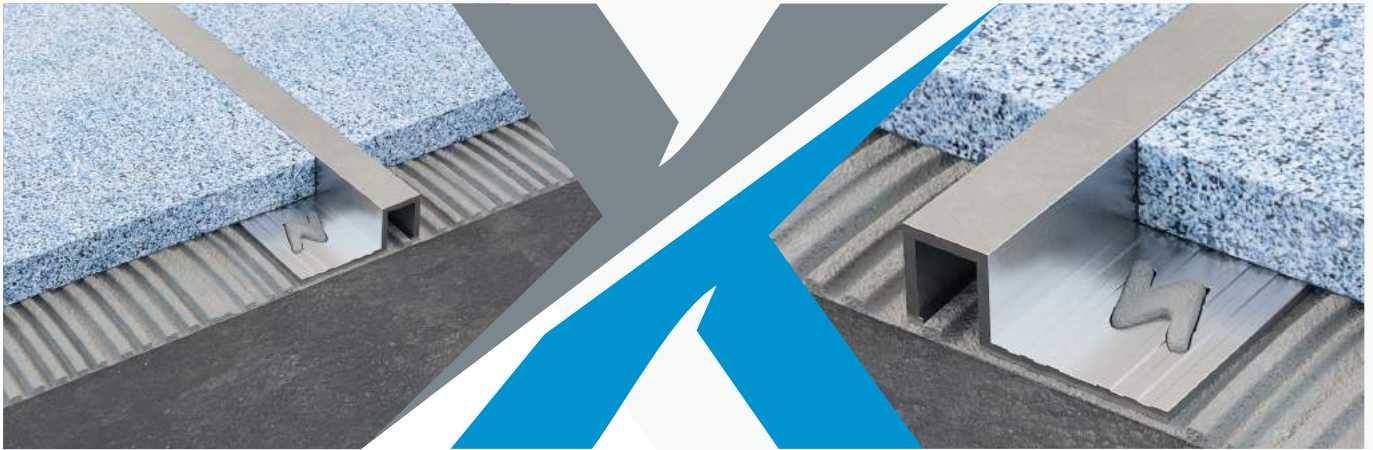
Type	H (mm)	W (mm)	L (m)
NOPSC 0808	8	8	2.7
NOPSC 0810	10	8	2.7
NOPSC 0812	12	8	2.7

SS 304 Brush Finish

Type	H (mm)	W (mm)	L (m)
NOPSCB 0808	8	8	2.7
NOPSCB 0810	10	8	2.7
NOPSCB 0812	12	8	2.7

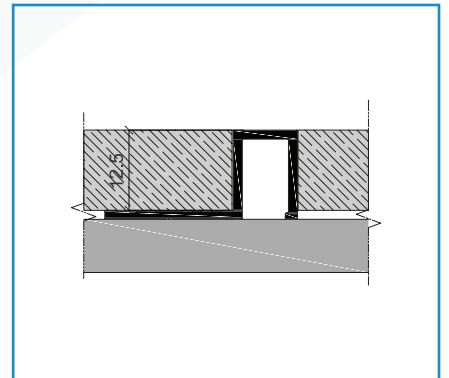
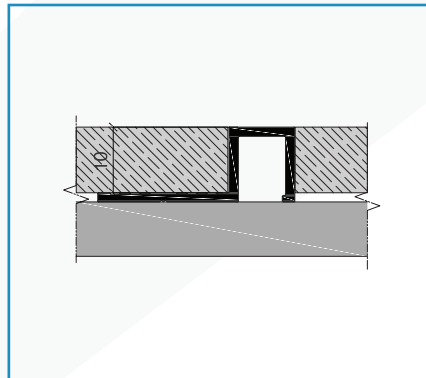
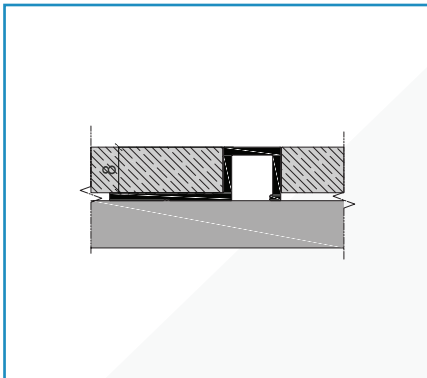
SS 316 Brush Finish

Type	H (mm)	W (mm)	L (m)
NOPSCLB 0808	8	8	2.7
NOPSCLB 0810	10	8	2.7
NOPSCLB 0812	12	8	2.7



FEATURES

NEXUS AFSF is a Square shape Aluminum profile for Floors in 11 Anodized colors.



Type	H (mm)	L (m)
AFSF 08	8	2.7
AFSF 010	10	2.7
AFSF 125	12.5	2.7

COLORS



Silver Matt



Silver Polish



Gold Matt



Gold Polish



741 Champ Matt



741 Champ Polish



743 Bronze Matt



743 Bronze Polish



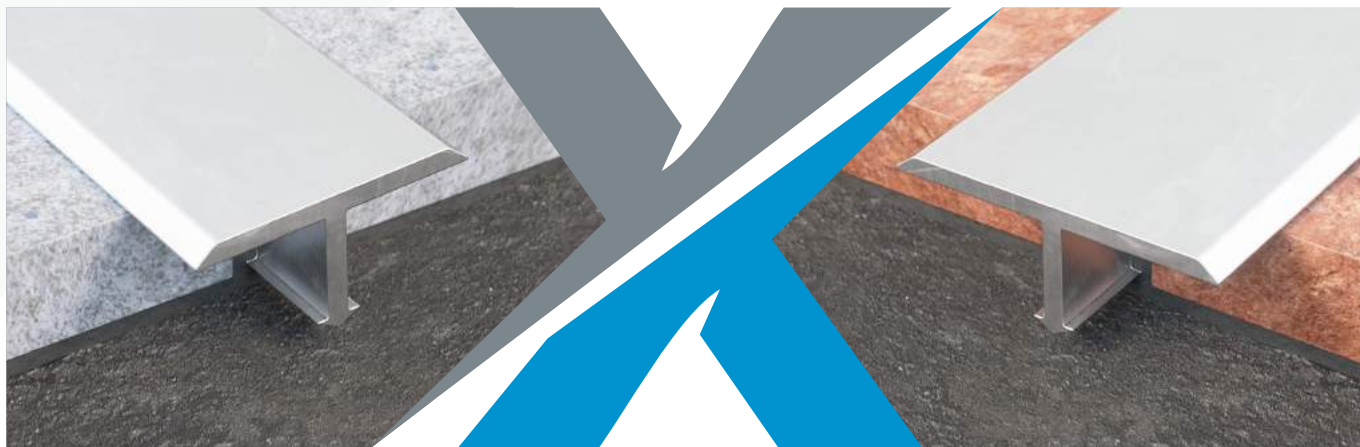
747 Bronze Matt



747 Bronze Polish

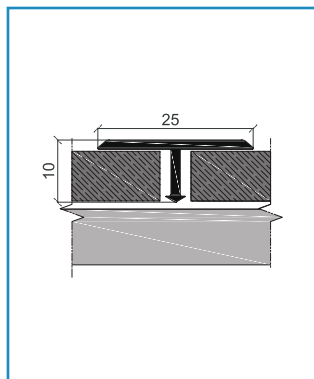
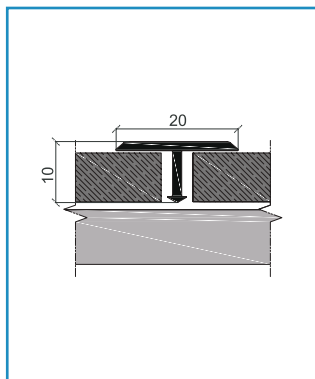


Black Matt



FEATURES

NEXUS ATP profile is a T shape Joint Cover Anodized Aluminium Profile for Floors.



Type	H (mm)	W (mm)	L (m)
ATP 20	10	20	2.7
ATP 25	10	25	2.7

COLORS



Silver Matt



Silver Polish



Gold Matt



Gold Polish



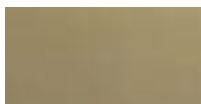
741 Champ Matt



741 Champ Polish



743 Bronze Matt



743 Bronze Polish



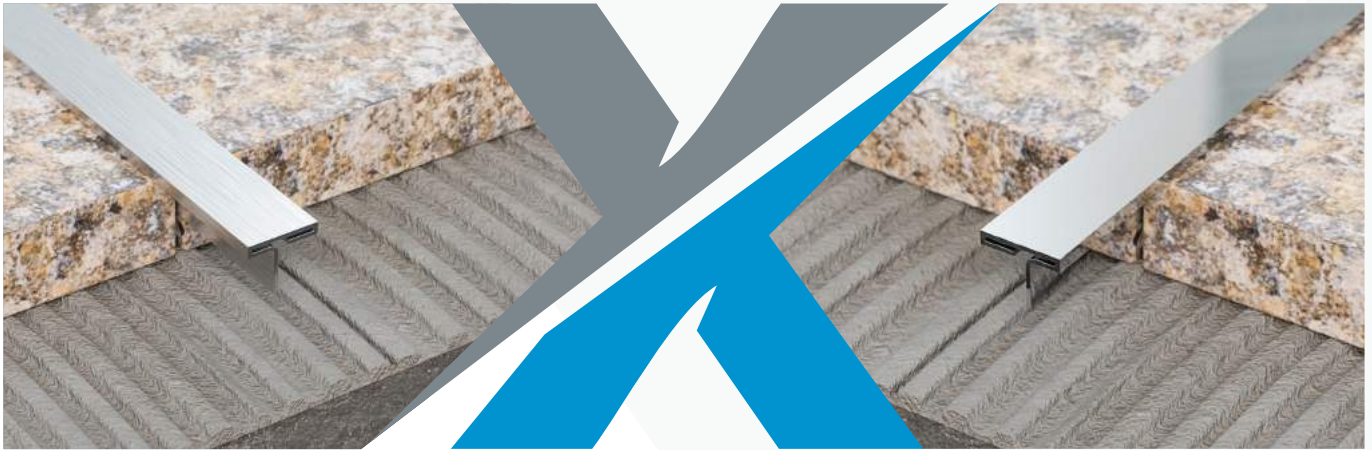
747 Bronze Matt



747 Bronze Polish

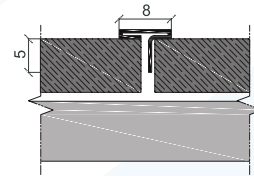
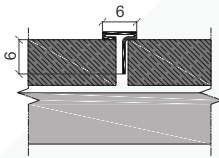


Black Matt



FEATURES

NEXUS NSSS..06/08 profile is a Stainless Steel Channel for Floors and Walls in both SS304 and SS316L Grades in Polished and Brush finish.



0606

SS 304 Polish Finish

Type	H (mm)	W (mm)	L (m)
NSSS 0606	6	6	2.7

SS 304 Brush Finish

Type	H (mm)	W (mm)	L (m)
NSSSB 0606	6	6	2.7

SS 316 Polish Finish

Type	H (mm)	W (mm)	L (m)
NSSSL 0606	6	6	2.7

SS 316 Brush Finish

Type	H (mm)	W (mm)	L (m)
NSSSLB 0606	6	6	2.7

0805

SS 304 Polish Finish

Type	H (mm)	W (mm)	L (m)
NSSS 0805	5	8	2.7

SS 304 Brush Finish

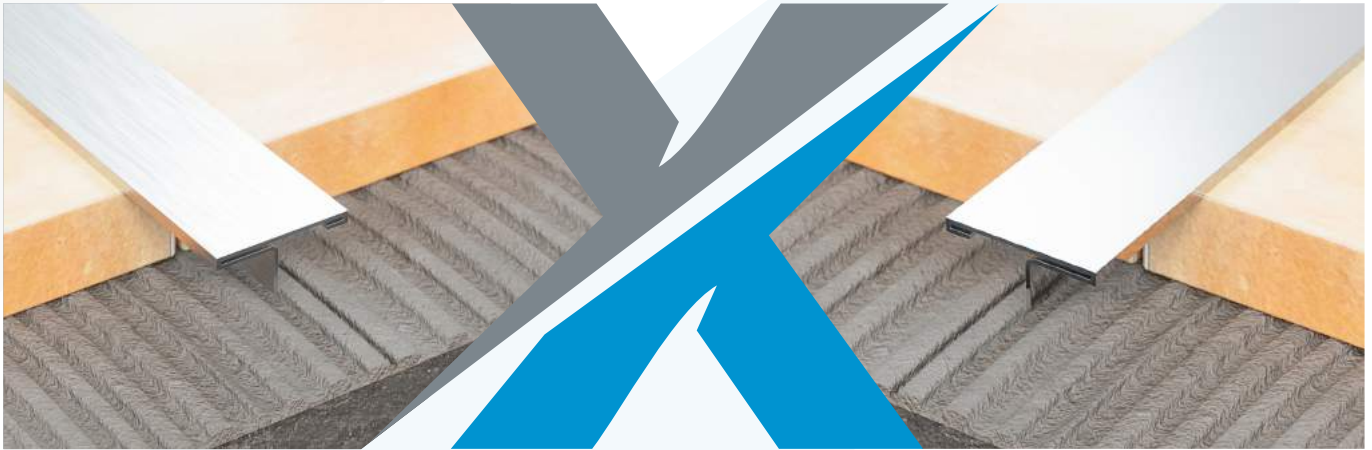
Type	H (mm)	W (mm)	L (m)
NSSSB 0805	5	8	2.7

SS 316 Polish Finish

Type	H (mm)	W (mm)	L (m)
NSSSL 0805	5	8	2.7

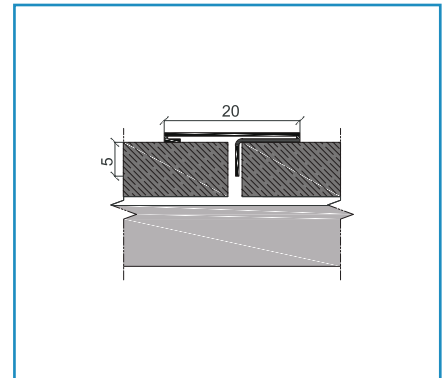
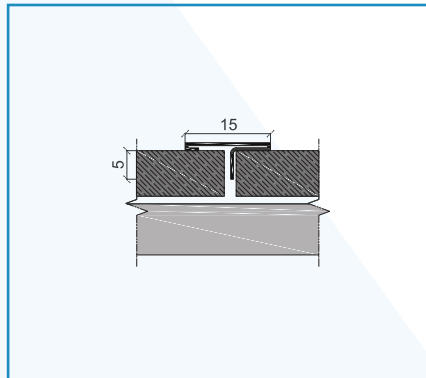
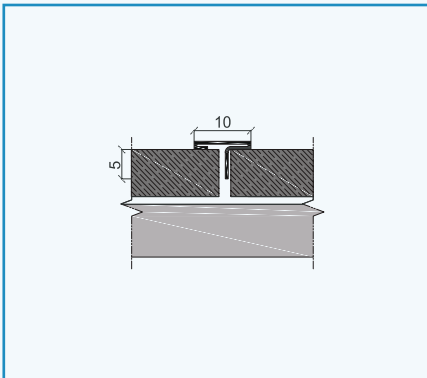
SS 316 Brush Finish

Type	H (mm)	W (mm)	L (m)
NSSSLB 0805	5	8	2.7



FEATURES

NEXUS NSSS 10-20 profile is a T Shape Stainless Steel profile for Floors in both SS304 and SS316L Grades in Polished and Brush finish.



SS 304 Polish Finish

Type	H (mm)	W (mm)	L (m)
NSSS 1005	5	10	2.7
NSSS 1505	5	15	2.7
NSSS 2005	5	20	2.7

SS 316 Polish Finish

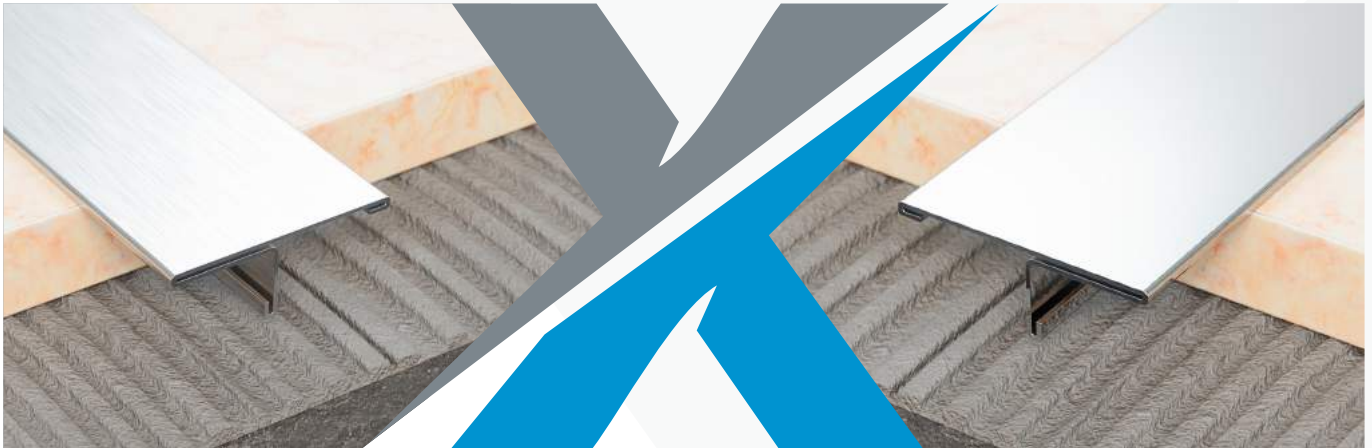
Type	H (mm)	W (mm)	L (m)
NSSSL 1005	5	10	2.7
NSSSL 1505	5	15	2.7
NSSSL 2005	5	20	2.7

SS 304 Brush Finish

Type	H (mm)	W (mm)	L (m)
NSSSB 1005	5	10	2.7
NSSSB 1505	5	15	2.7
NSSSB 2005	5	20	2.7

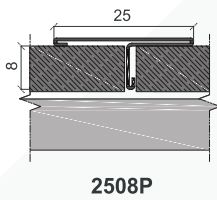
SS 316 Brush Finish

Type	H (mm)	W (mm)	L (m)
NSSSLB 1005	5	10	2.7
NSSSLB 1505	5	15	2.7
NSSSLB 2005	5	20	2.7

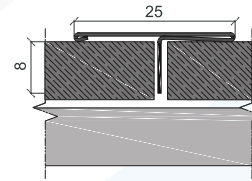


FEATURES

NEXUS NSSS 25 profile is a T Shape Stainless Steel profile for Floors in both SS304 and SS316L Grades in Polished and Brush finish.



2508P



2508

2508P

SS 304 Polish Finish

Type	H (mm)	W (mm)	L (m)
NSSS 2508P	8	25	2.7

SS 304 Brush Finish

Type	H (mm)	W (mm)	L (m)
NSSSB 2508P	8	25	2.7

SS 316 Polish Finish

Type	H (mm)	W (mm)	L (m)
NSSSL 2508P	8	25	2.7

SS 316 Brush Finish

Type	H (mm)	W (mm)	L (m)
NSSSLB 2508P	8	25	2.7

2508

SS 304 Polish Finish

Type	H (mm)	W (mm)	L (m)
NSSS 2508	8	25	2.7

SS 304 Brush Finish

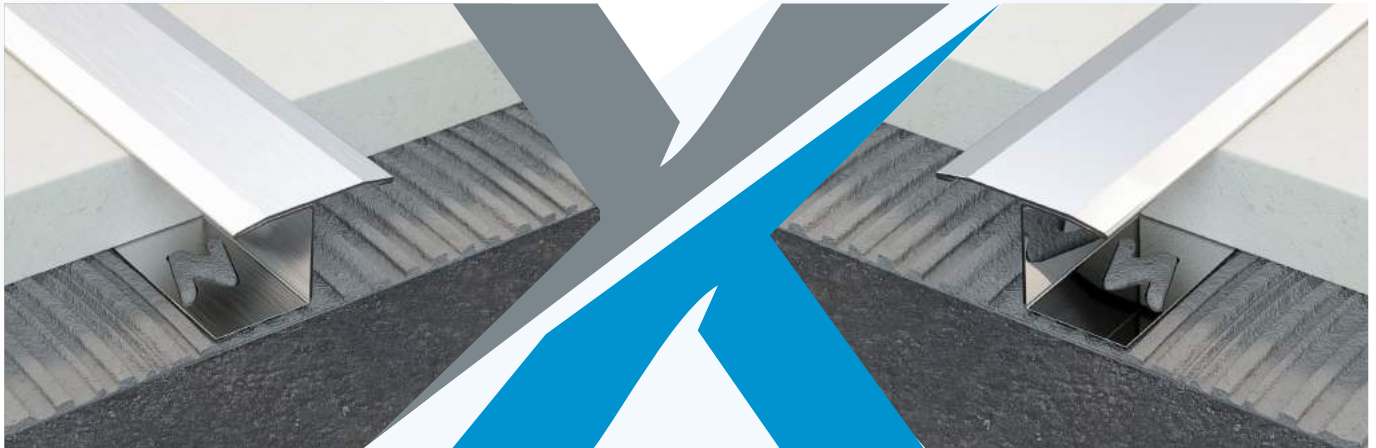
Type	H (mm)	W (mm)	L (m)
NSSSB 2508	8	25	2.7

SS 316 Polish Finish

Type	H (mm)	W (mm)	L (m)
NSSSL 2508	8	25	2.7

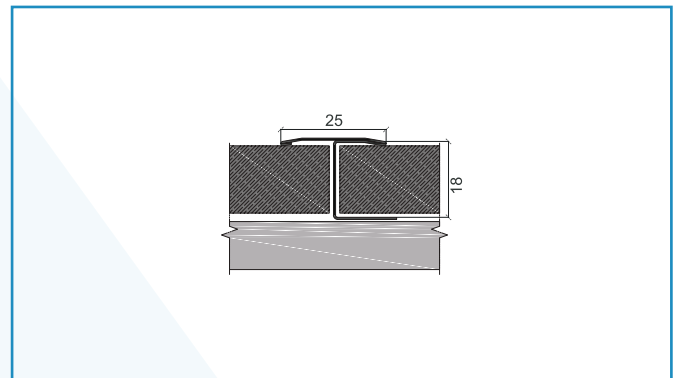
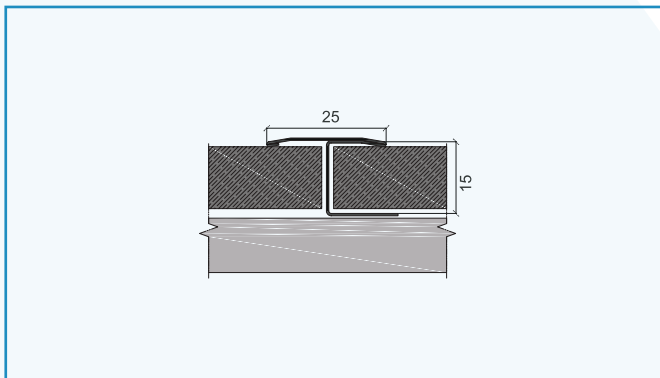
SS 316 Brush Finish

Type	H (mm)	W (mm)	L (m)
NSSSLB 2508	8	25	2.7



FEATURES

NEXUS NSST 25 profile is a Stainless Steel T Shape Profile for Floors in both SS304 and SS316L Grades in Polished and Brush finish.



SS 304 Polish Finish

Type	H (mm)	W (mm)	L (m)
NSST 2515	15	25	2.7
NSST 2518	18	25	2.7

SS 316 Polish Finish

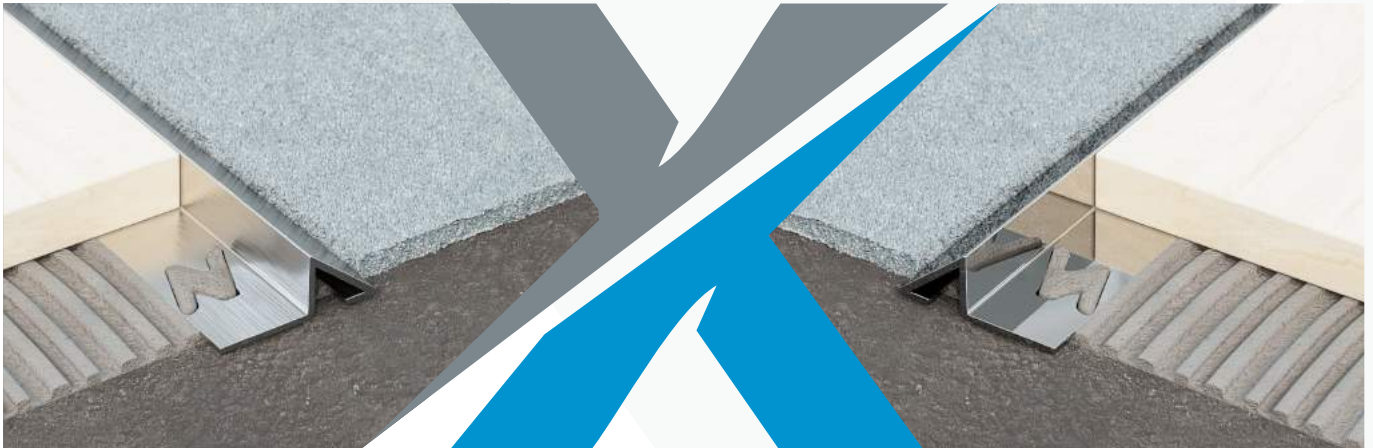
Type	H (mm)	W (mm)	L (m)
NSSTL 2515	15	25	2.7
NSSTL 2518	18	25	2.7

SS 304 Brush Finish

Type	H (mm)	W (mm)	L (m)
NSSTB 2515	15	25	2.7
NSSTB 2518	18	25	2.7

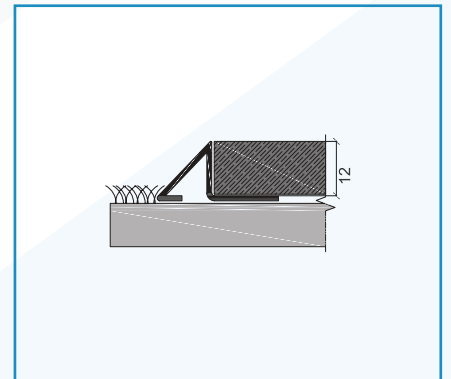
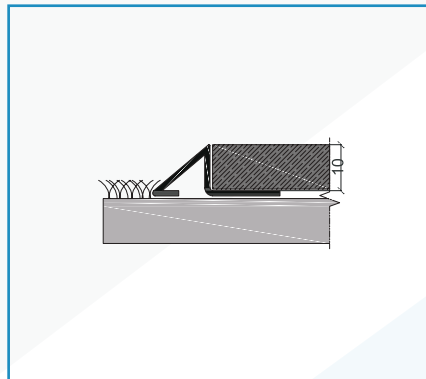
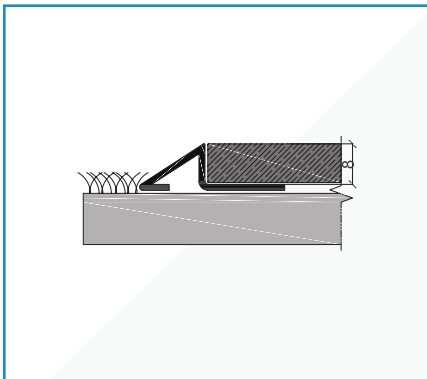
SS 316 Brush Finish

Type	H (mm)	W (mm)	L (m)
NSSTLB 2515	15	25	2.7
NSSTLB 2518	18	25	2.7



FEATURES

NEXUS TRFT profile is a Stainless Steel Termination profile for Floors in both SS304 and SS316L Grades in Polished and Brush finish.



SS 304 Polish Finish

Type	H (mm)	L [m]
TRFT 08	8	2.7
TRFT 10	10	2.7
TRFT 12	12	2.7

SS 316 Polish Finish

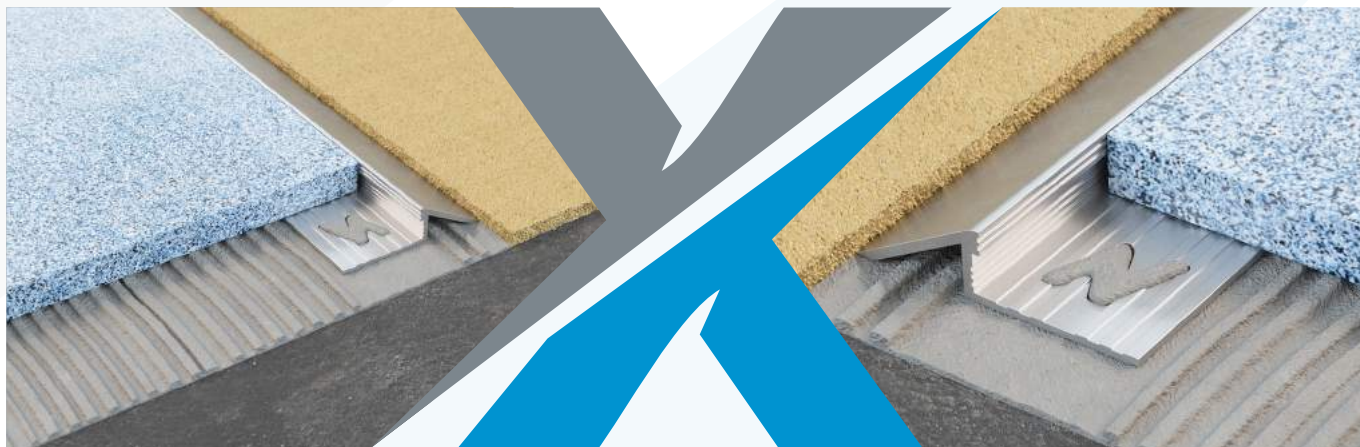
Type	H (mm)	L [m]
TRFTL 08	8	2.7
TRFTL 10	10	2.7
TRFTL 12	12	2.7

SS 304 Brush Finish

Type	H (mm)	L [m]
TRFTB 08	8	2.7
TRFTB 10	10	2.7
TRFTB 12	12	2.7

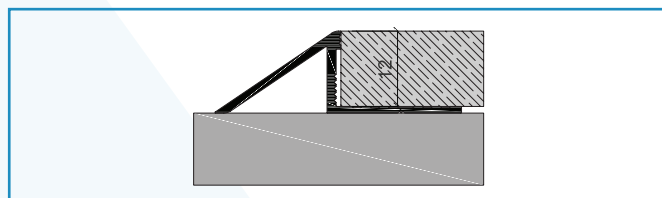
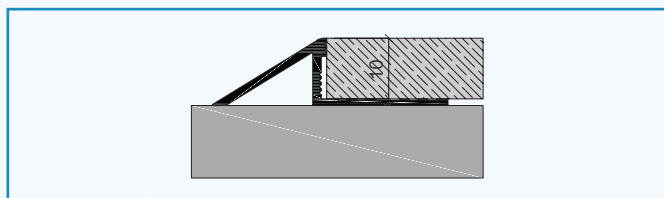
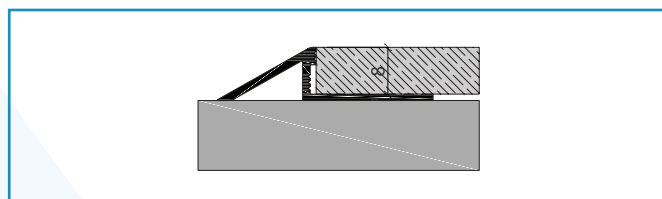
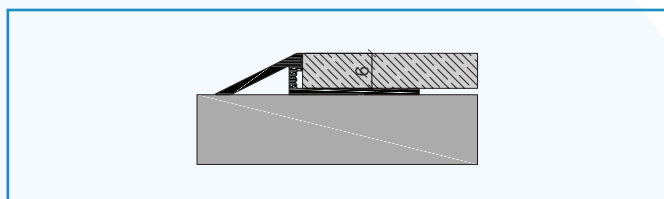
SS 316 Brush Finish

Type	H (mm)	L [m]
TRFTLB 08	8	2.7
TRFTLB 10	10	2.7
TRFTLB 12	12	2.7



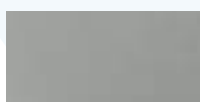
FEATURES

NEXUS NFCT is a Aluminum profile for Floors with different levels in 11 Anodized colors.



Type	H [mm]	L [mm]
NFCT 06	6	2.7
NFCT 08	8	2.7
NFCT 10	10	2.7
NFCT 125	12.5	2.7

COLORS



Silver Matt



Silver Polish



Gold Matt



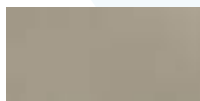
Gold Polish



741 Champ Matt



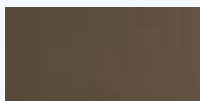
741 Champ Polish



743 Bronze Matt



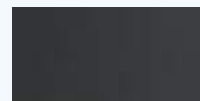
743 Bronze Polish



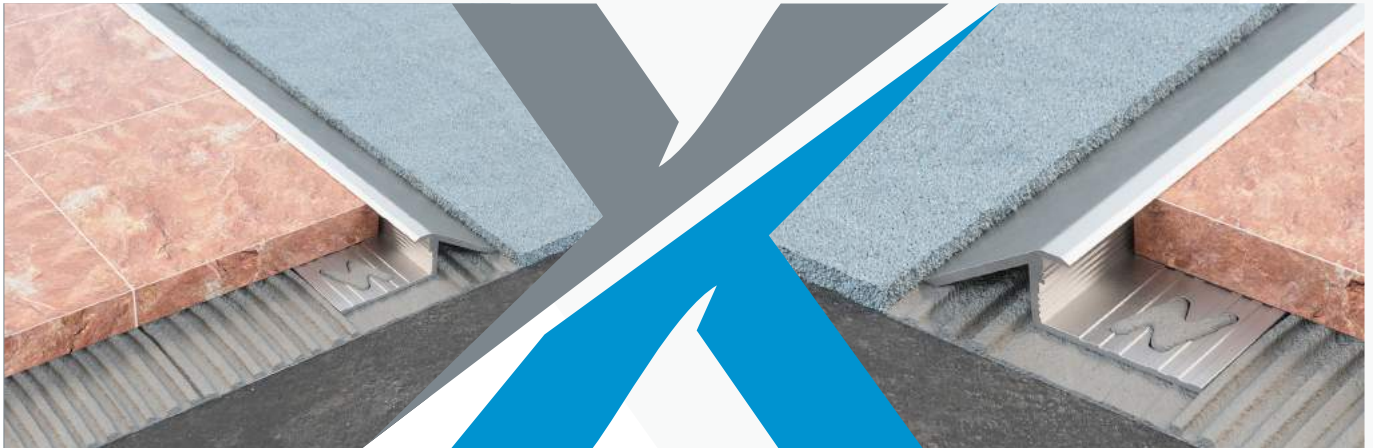
747 Bronze Matt



747 Bronze Polish

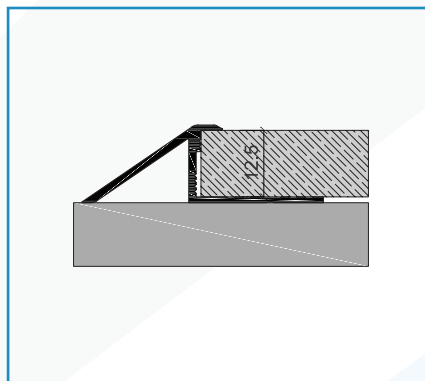
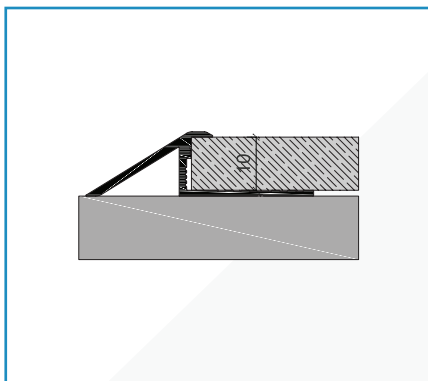


Black Matt



FEATURES

NEXUS FCT is a Aluminum profile for Floors with different levels in 11 Anodized colors.



Type	H (mm)	L [mm]
FCT 08	8	2.7
FCT 010	10	2.7
FCT 125	12.5	2.7

COLORS



Silver Matt



Silver Polish



Gold Matt



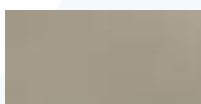
Gold Polish



741 Champ Matt



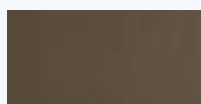
741 Champ Polish



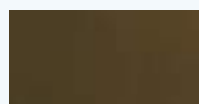
743 Bronze Matt



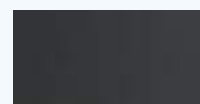
743 Bronze Polish



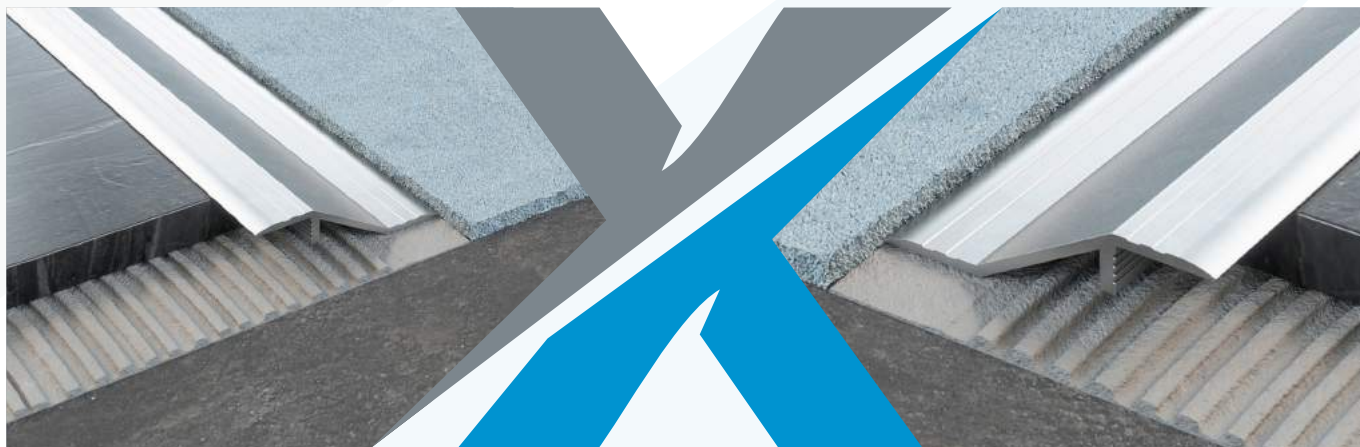
747 Bronze Matt



747 Bronze Polish

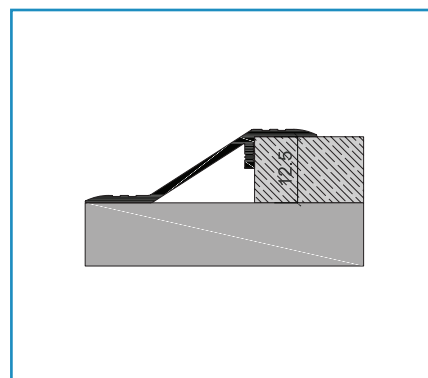
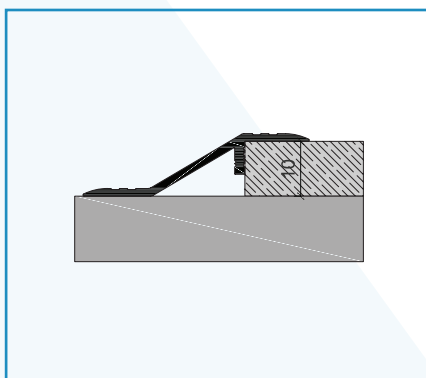
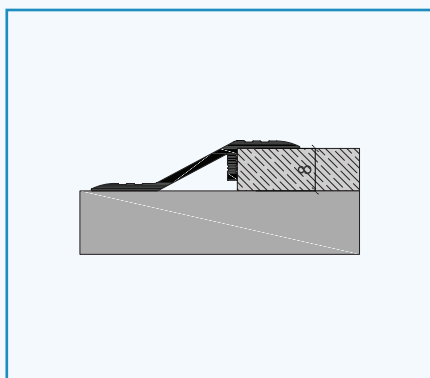


Black Matt



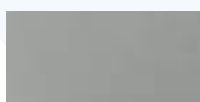
FEATURES

NEXUS NFLP is a Aluminum profile for Floors with different levels in 11 Anodized colors.



Type	H (mm)	L (mm)
NFLP 08	8	2.7
NFLP 010	10	2.7
NFLP 125	12.5	2.7

COLORS



Silver Matt



Silver Polish



Gold Matt



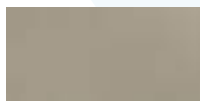
Gold Polish



741 Champ Matt



741 Champ Polish



743 Bronze Matt



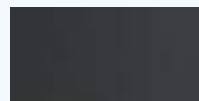
743 Bronze Polish



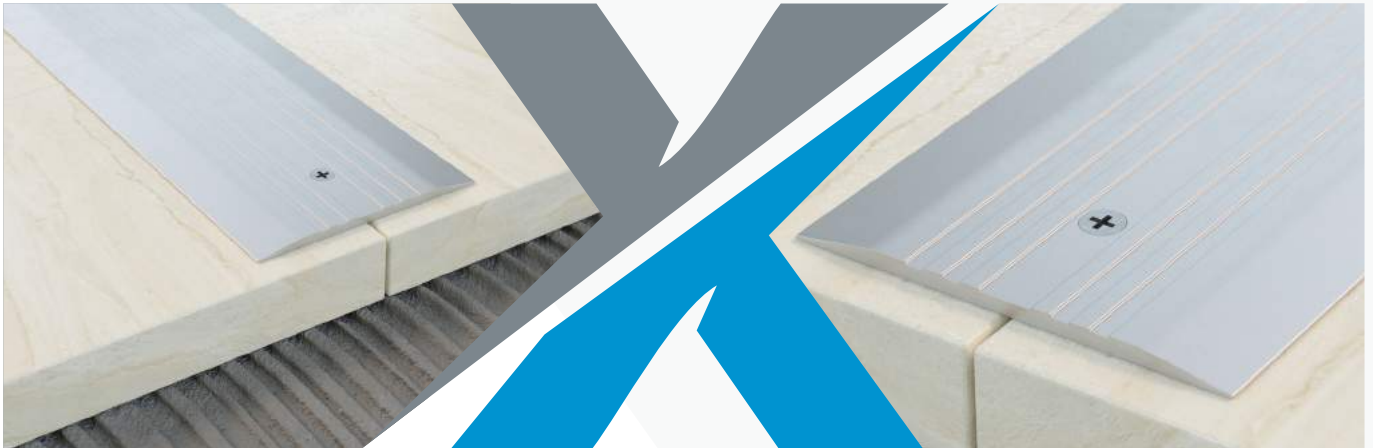
747 Bronze Matt



747 Bronze Polish

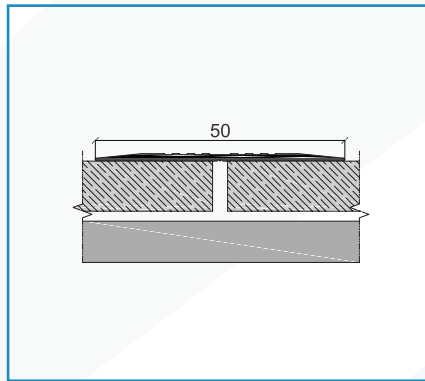
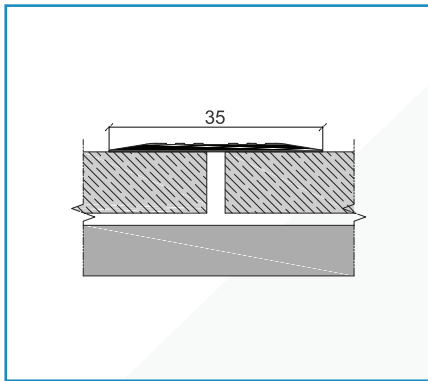


Black Matt



FEATURES

NEXUS NFTP is a Aluminum Profile for Floors in 11 Anodized colors.



Type	H (mm)	L [mm]
NFTP 35	35	2.7
NFTP 50	50	2.7

COLORS



Silver Matt



Silver Polish



Gold Matt



Gold Polish



741 Champ Matt



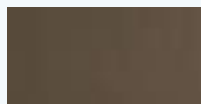
741 Champ Polish



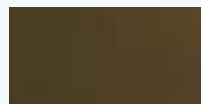
743 Bronze Matt



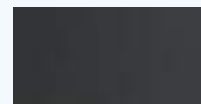
743 Bronze Polish



747 Bronze Matt



747 Bronze Polish

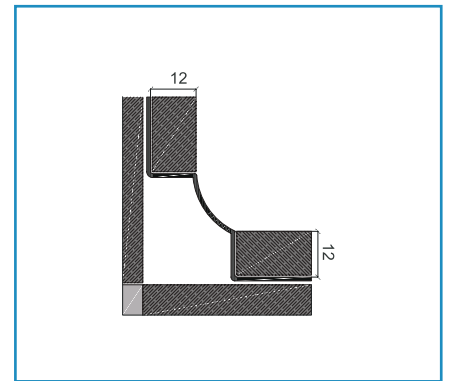
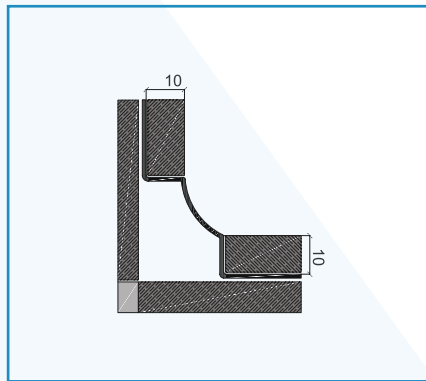
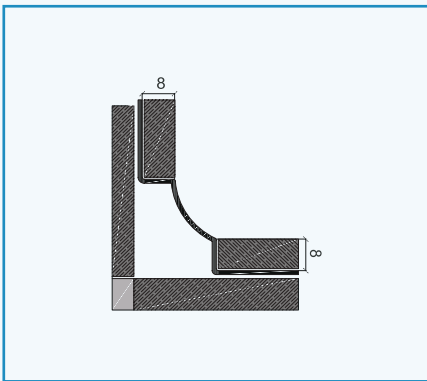


Black Matt



FEATURES

NEXUS NII profile is a Stainless Steel Internal Trims in both SS304 and SS316L Grades in Polished and Brush finish.



SS 304 Polish Finish

Type	H (mm)	W (mm)	L (m)
NII 08	8	8	2.7
NII 10	10	10	2.7
NII 12	12	12	2.7

SS 316 Polish Finish

Type	H (mm)	W (mm)	L (m)
NIIL 08	8	8	2.7
NIIL 10	10	10	2.7
NIIL 12	12	12	2.7

SS 304 Brush Finish

Type	H (mm)	W (mm)	L (m)
NIIB 08	8	8	2.7
NIIB 10	10	10	2.7
NIIB 12	12	12	2.7

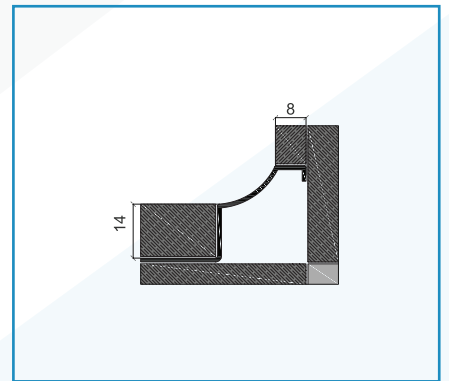
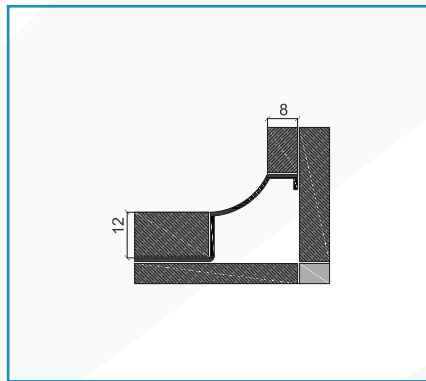
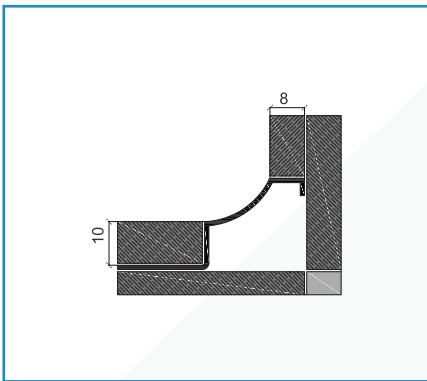
SS 316 Brush Finish

Type	H (mm)	W (mm)	L (m)
NIILB 08	8	8	2.7
NIILB 10	10	10	2.7
NIILB 12	12	12	2.7



FEATURES

NEXUS NII 0810 profile is a Stainless Steel Internal Trims in both SS304 and SS316L Grades in Polished and Brush finish.



SS 304 Polish Finish

TType	H1 [mm]	H2 [mm]	L (m)
NII 0810	10	8	2.7
NII 0812	12	8	2.7
NII 0814	14	8	2.7

SS 316 Polish Finish

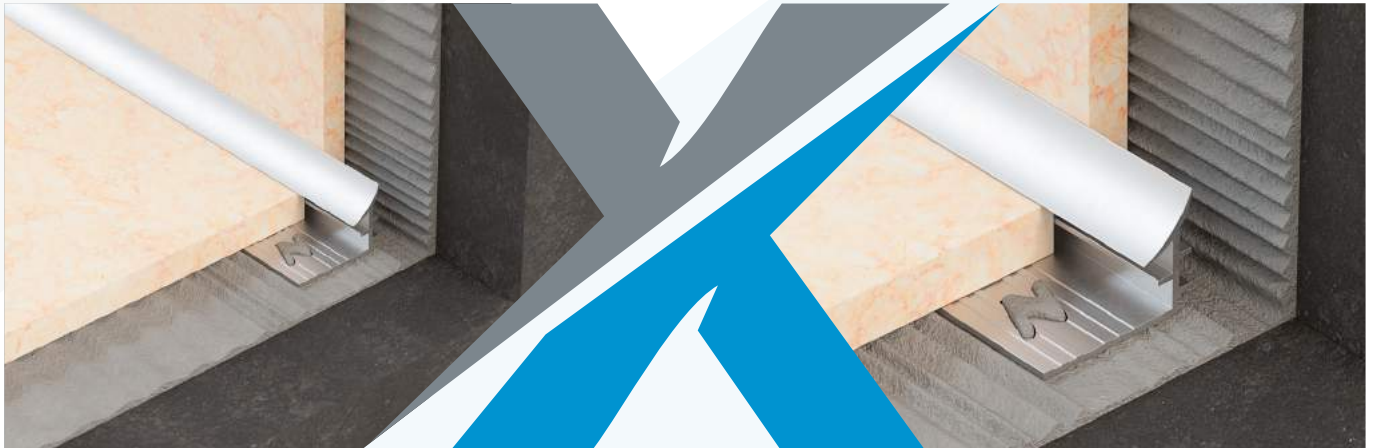
TType	H1 [mm]	H2 [mm]	L (m)
NIIL 0810	10	8	2.7
NIIL 0812	12	8	2.7
NIIL 0814	14	8	2.7

SS 304 Brush Finish

TType	H1 [mm]	H2 [mm]	L (m)
NIIB 0810	10	8	2.7
NIIB 0812	12	8	2.7
NIIB 0814	14	8	2.7

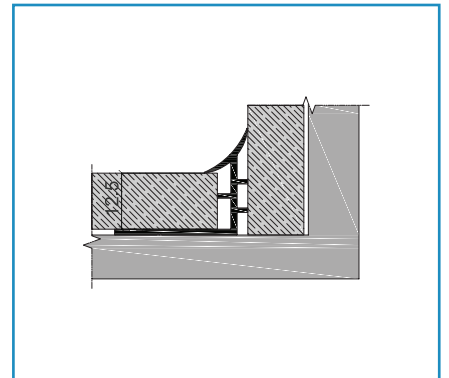
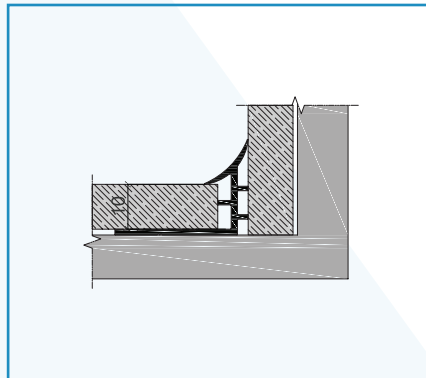
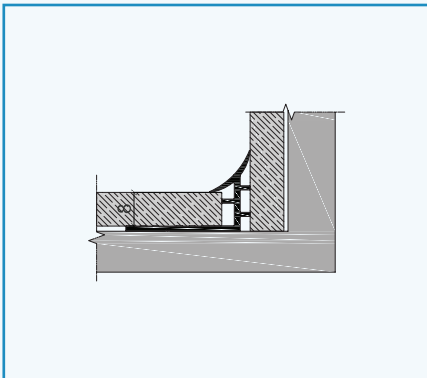
SS 316 Brush Finish

TType	H1 [mm]	H2 [mm]	L (m)
NIILB 0810	10	8	2.7
NIILB 0812	12	8	2.7
NIILB 0814	14	8	2.7



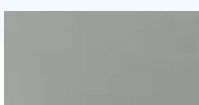
FEATURES

NEXUS NCCT is a Internal Tile Trim for Floor To Wall in 11 Anodized colors.



Type	H (mm)	L (mm)
NCCT 08	8	2.7
NCCT 010	10	2.7
NCCT 125	12.5	2.7

COLORS



Silver Matt



Silver Polish



Gold Matt



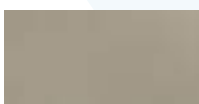
Gold Polish



741 Champ Matt



741 Champ Polish



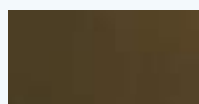
743 Bronze Matt



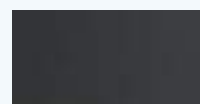
743 Bronze Polish



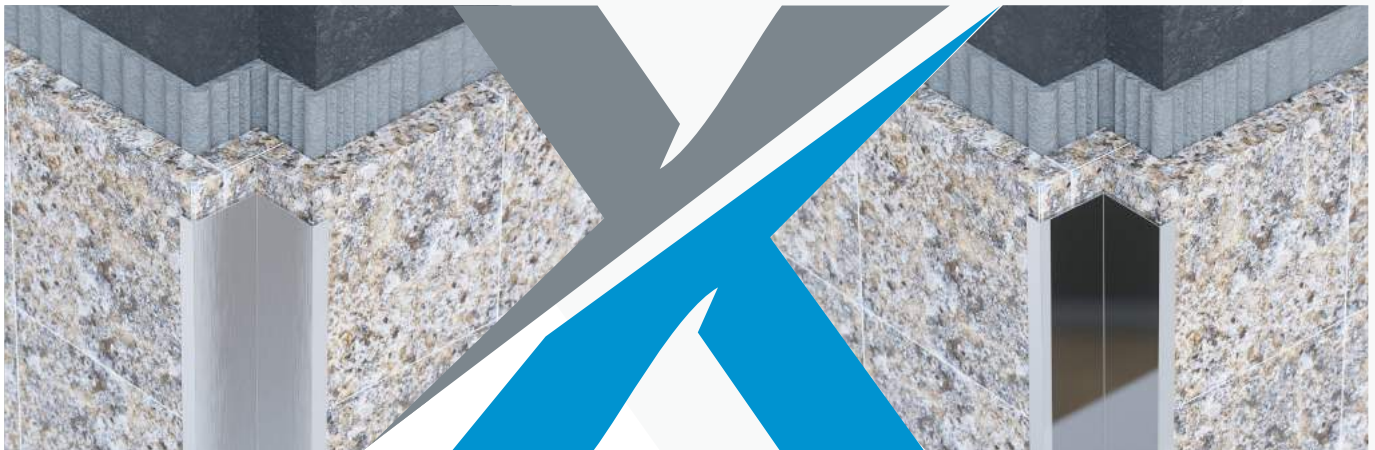
747 Bronze Matt



747 Bronze Polish

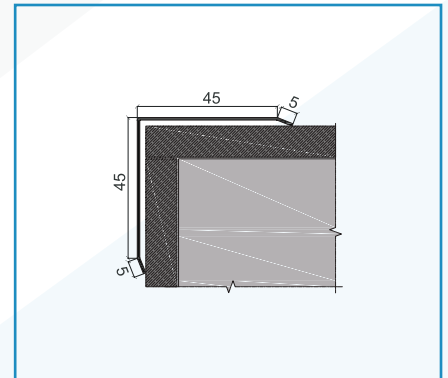
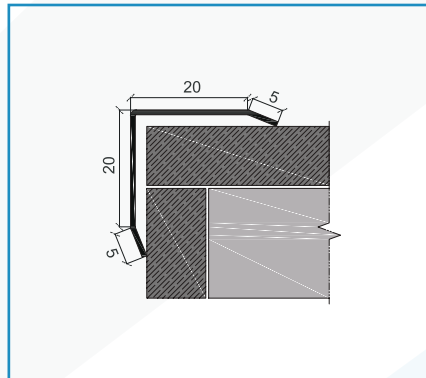
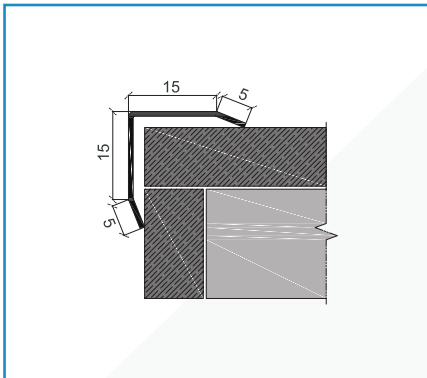


Black Matt



FEATURES

NEXUS NSCG profile is a Stainless Steel External Corner Guard for Walls in both SS304 and SS316L Grades in Polished and Brush finish.



SS 304 Polish Finish

Type	WxW [mm]	L [m]
NSCG 20	20x20	2.7
NSCG 25	25x25	2.7
NSCG 50	50x50	2.7

SS 316 Polish Finish

Type	WxW [mm]	L [m]
NSCGL 20	20x20	2.7
NSCGL 25	25x25	2.7
NSCGL 50	50x50	2.7

SS 304 Brush Finish

Type	WxW [mm]	L [m]
NSCGB 20	20x20	2.7
NSCGB 25	25x25	2.7
NSCGB 50	50x50	2.7

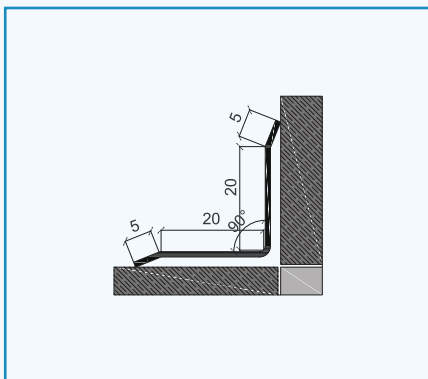
SS 316 Brush Finish

Type	WxW [mm]	L [m]
NSCGLB 20	20x20	2.7
NSCGLB 25	25x25	2.7
NSCGLB 50	50x50	2.7



FEATURES

NEXUS NSEG 25 profile is a Stainless Steel Internal Corner Guard for Walls in both SS304 and SS316L Grades in Polished and Brush finish.



SS 304 Polish Finish

Type	WxW [mm]	L [m]
NSEG 25	25x25	2.7

SS 316 Polish Finish

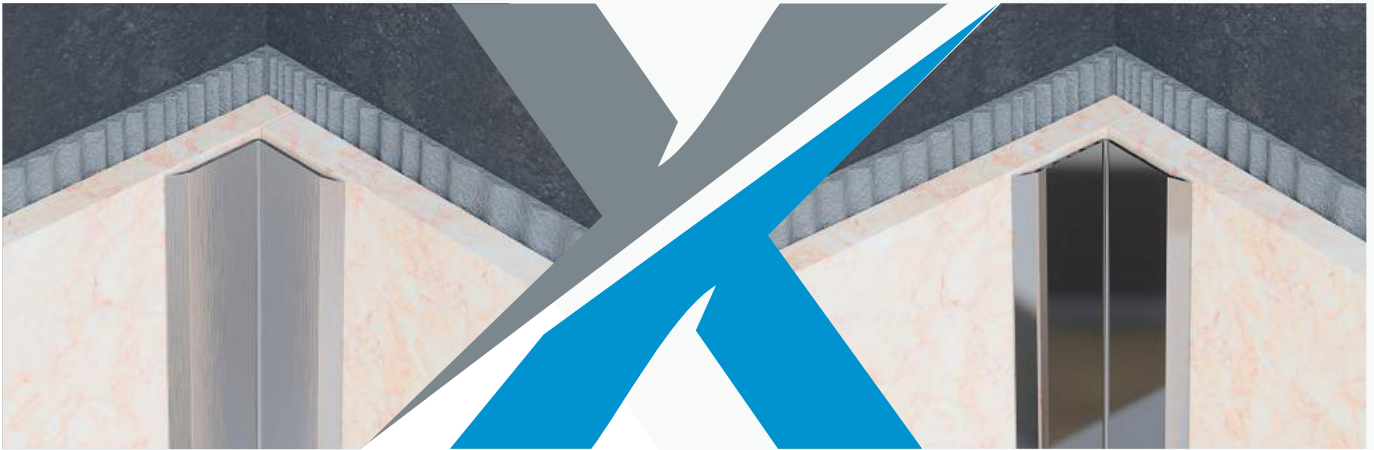
Type	WxW [mm]	L [m]
NSEGL 25	25x25	2.7

SS 304 Brush Finish

Type	WxW [mm]	L [m]
NSEGB 25	25x25	2.7

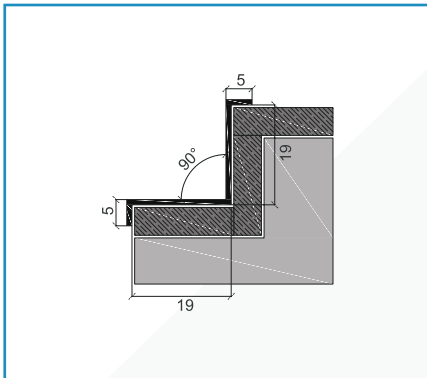
SS 316 Brush Finish

Type	WxW [mm]	L [m]
NSEGLB 25	25x25	2.7



FEATURES

NEXUS NSEG profile is a Stainless Steel Internal Corner Guard in both SS304 and SS316L Grades in Polished and Brush finish.



SS 304 Polish Finish

Type	WxW [mm]	L [m]
NSEG 0520	19x19	2.7

SS 316 Polish Finish

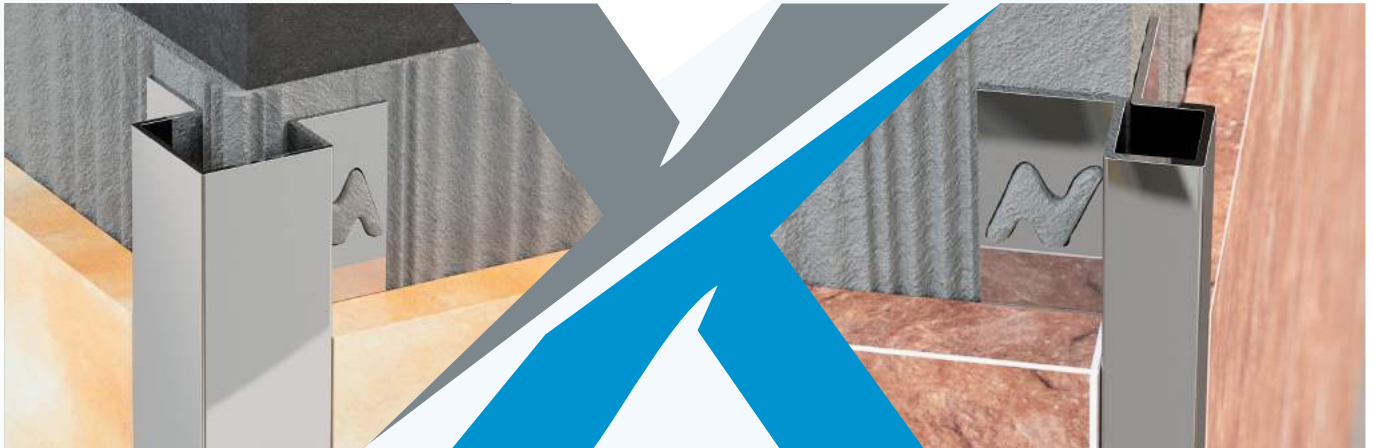
Type	WxW [mm]	L [m]
NSEGL 0520	19x19	2.7

SS 304 Brush Finish

Type	WxW [mm]	L [m]
NSEGB 0520	19x19	2.7

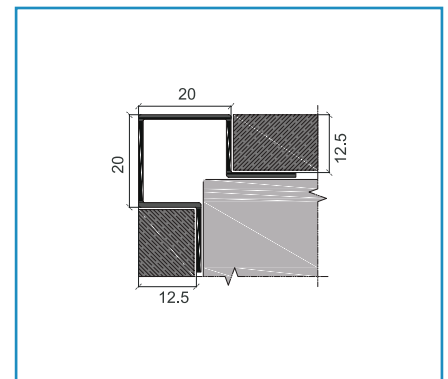
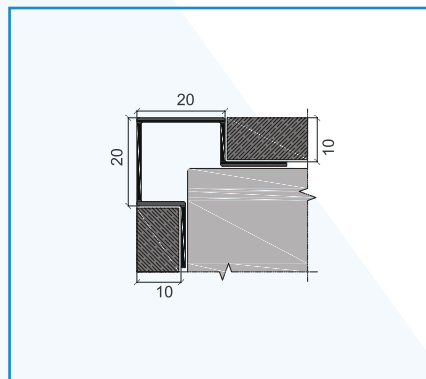
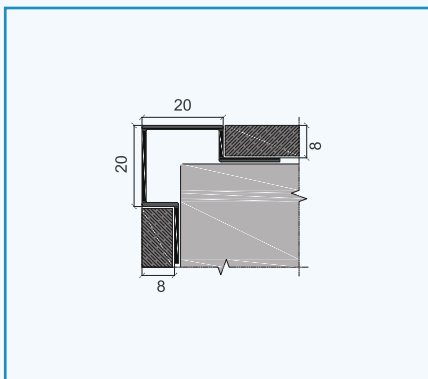
SS 316 Brush Finish

Type	WxW [mm]	L [m]
NSEGLB 0520	19x19	2.7



FEATURES

NEXUS NCGT.. profile is a Square shape Stainless Steel trim for Walls in both SS304 and SS316L Grades in Polished and Brush finish.



SS 304 Polish Finish

Type	H (mm)	W (mm)	L (m)
NCGT 2008	8	20	2.7
NCGT 2010	10	20	2.7
NCGT 2012	12	20	2.7

SS 316 Polish Finish

Type	H (mm)	W (mm)	L (m)
NCGTL 2008	8	20	2.7
NCGTL 2010	10	20	2.7
NCGTL 2012	12	20	2.7

SS 304 Brush Finish

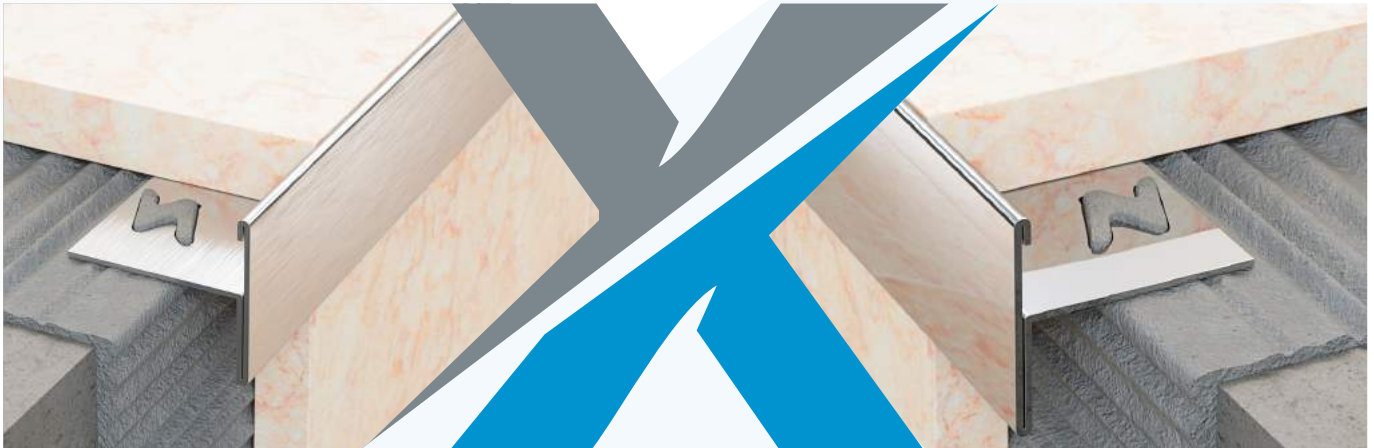
Type	H (mm)	W (mm)	L (m)
NCGTB 2008	8	20	2.7
NCGTB 2010	10	20	2.7
NCGTB 2012	12	20	2.7

SS 316 Brush Finish

Type	H (mm)	W (mm)	L (m)
NCGTLB 2008	8	20	2.7
NCGTLB 2010	10	20	2.7
NCGTLB 2012	12	20	2.7

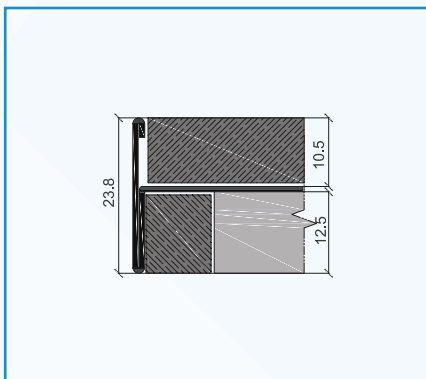
The background consists of several overlapping geometric shapes in two shades of blue: a vibrant medium blue and a lighter sky blue. The shapes are angular, with sharp points and straight edges, creating a dynamic, abstract composition. The text is positioned on a dark blue triangular shape on the left side.

STAIR NOSING



FEATURES

NEXUS SAST 1012 profile is a Stainless Steel Step Nosing in both SS304 and SS316L Grades in Polished and Brush finish.



SS 304 Polish Finish

Type	H [mm]	L (m)
SAST 1012	10	2.7

SS 316 Polish Finish

Type	H [mm]	L (m)
SASTL 1012	10	2.7

SS 304 Brush Finish

Type	H [mm]	L (m)
SASTB 1012	10	2.7

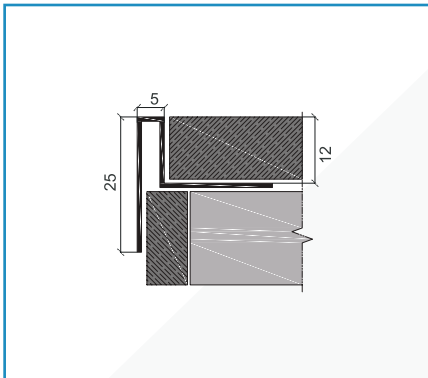
SS 316 Brush Finish

Type	H [mm]	L (m)
SASTLB 1012	10	2.7



FEATURES

NEXUS SAST 0525 profile is a Stainless Steel Step Nosing in both SS304 and SS316L Grades in Polished and Brush finish.



SS 304 Polish Finish

Type	H (mm)	W (mm)	L (m)
SAST 0525	12	5	2.7

SS 316 Polish Finish

Type	H (mm)	W (mm)	L (m)
SASTL 0525	12	5	2.7

SS 304 Brush Finish

Type	H (mm)	W (mm)	L (m)
SASTB 0525	12	5	2.7

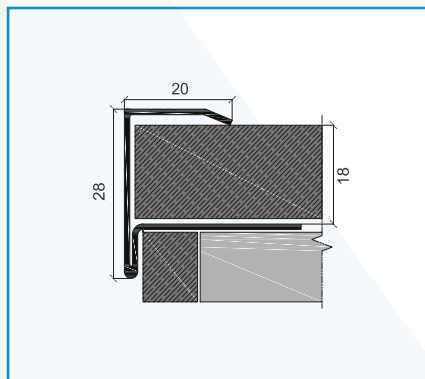
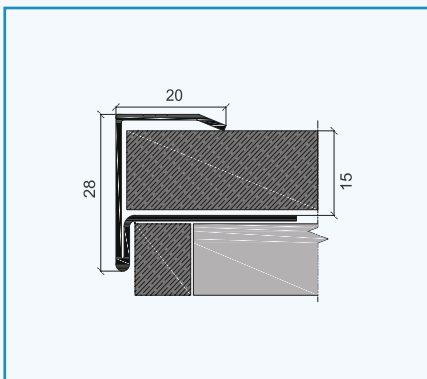
SS 316 Brush Finish

Type	H (mm)	W (mm)	L (m)
SASTLB 0525	12	5	2.7



FEATURES

NEXUS SAST 2028 profile is a Stainless Step Nosing in both SS304 and SS316L Grades in Polished and Brush finish.



SS 304 Polish Finish

Type	H (mm)	W (mm)	L (m)
SAST 2015	15	20	2.7
SAST 2018	18	20	2.7

SS 316 Polish Finish

Type	H (mm)	W (mm)	L (m)
SASTL 2015	15	20	2.7
SASTL 2018	18	20	2.7

SS 304 Brush Finish

Type	H (mm)	W (mm)	L (m)
SASTB 2015	15	20	2.7
SASTB 2018	18	20	2.7

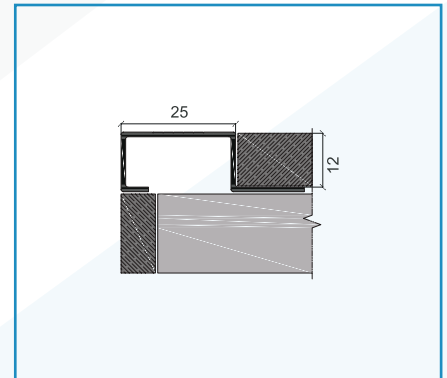
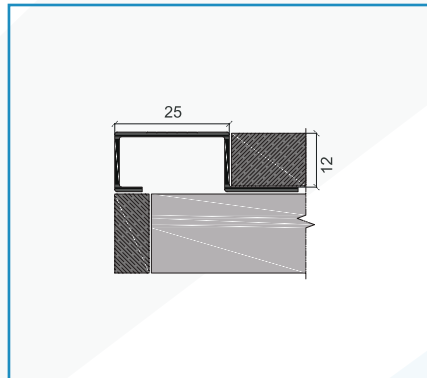
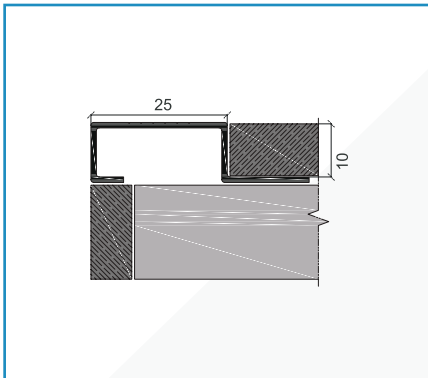
SS 316 Brush Finish

Type	H (mm)	W (mm)	L (m)
SASTLB 2015	15	20	2.7
SASTLB 2018	18	20	2.7



FEATURES

NEXUS SAST 2510 profile is a Stainless Steel Step Nosing in both SS304 and SS316L Grades in Polished and Brush finish.



SS 304 Polish Finish

Type	H (mm)	W (mm)	L (m)
SASTL 10	10	25	2.7
SASTL 12	12	25	2.7
SASTL 14	14	25	2.7

SS 316 Polish Finish

Type	H (mm)	W (mm)	L (m)
SASTL 10	10	25	2.7
SASTL 12	12	25	2.7
SASTL 14	14	25	2.7

SS 304 Brush Finish

Type	H (mm)	W (mm)	L (m)
SASTB 10	10	25	2.7
SASTB 12	12	25	2.7
SASTB 14	14	25	2.7

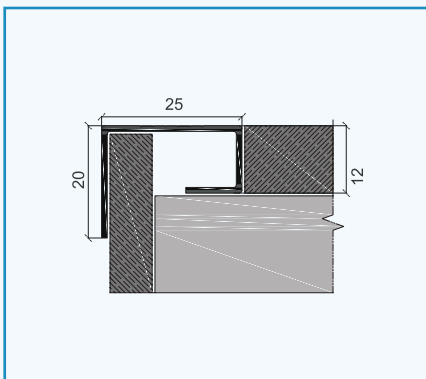
SS 316 Brush Finish

Type	H (mm)	W (mm)	L (m)
SASTLB 10	10	25	2.7
SASTLB 12	12	25	2.7
SASTLB 14	14	25	2.7



FEATURES

NEXUS SAST 2512 profile is a Stainless Steel Step Nosing in both SS304 and SS316L Grades in Polished and Brush finish.



SS 304 Polish Finish

Type	H (mm)	W (mm)	L (m)
SAST 2520	12	25	2.7

SS 316 Polish Finish

Type	H (mm)	W (mm)	L (m)
SASTL 2520	12	25	2.7

SS 304 Brush Finish

Type	H (mm)	W (mm)	L (m)
SASTB 2520	12	25	2.7

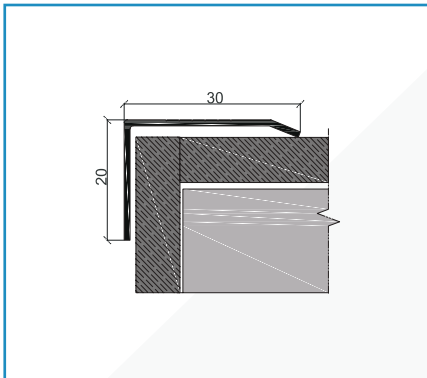
SS 316 Brush Finish

Type	H (mm)	W (mm)	L (m)
SASTLB 2520	12	25	2.7



FEATURES

NEXUS SAST 3020 profile is a Stainless Steel Step Nosing in both SS304 and SS316L Grades in Polished and Brush finish.



SS 304 Polish Finish

Type	H (mm)	W (mm)	L (m)
SAST 3020	20	30	2.7

SS 316 Polish Finish

Type	H (mm)	W (mm)	L (m)
SASTL 3020	20	30	2.7

SS 304 Brush Finish

Type	H (mm)	W (mm)	L (m)
SASTB 3020	20	30	2.7

SS 316 Brush Finish

Type	H (mm)	W (mm)	L (m)
SASTLB 3020	20	30	2.7



FEATURES

- Protect Step Edge.
- Provide Slip Resistance.
- Provide Visual Contrast for step edge.

SURFACE

- Anodized Aluminium.
- Colours: Silver, Gold & Bronze.

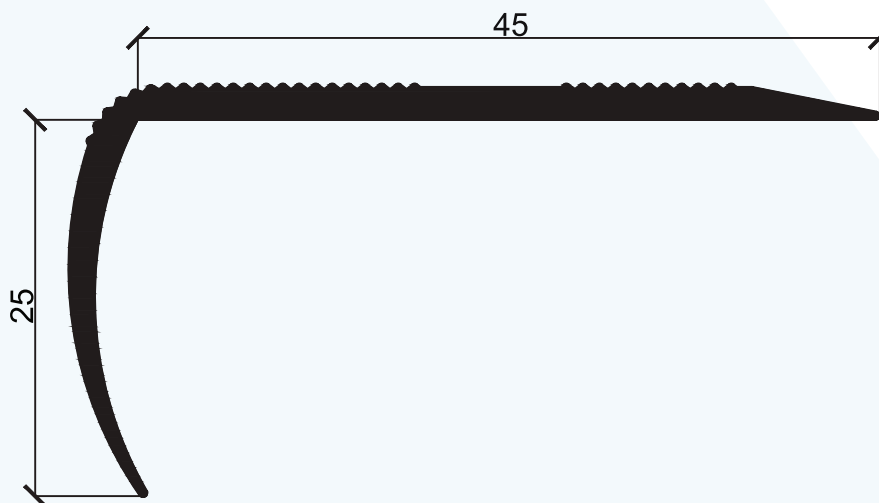
MATERIAL

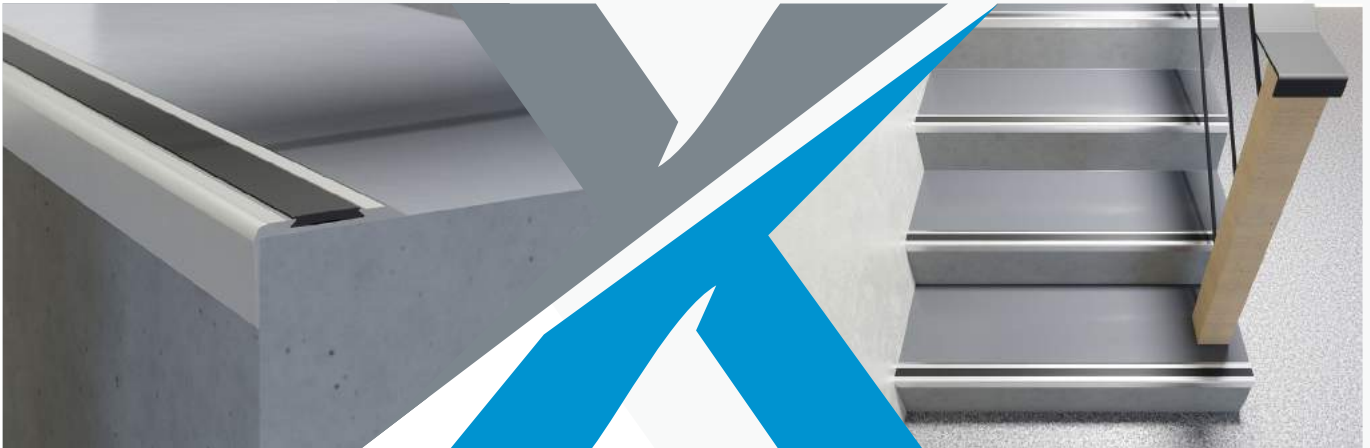
- Aluminium Alloy 6063, T6.

FUNCTIONS

- The upper side is knurled to increase slip and slide resistance with curve vertical part.
- This profile applicable for steps from 87o to 90°.

Type	H [mm]	W [mm]	L [m]
AST 4525	25	45	2.7





FEATURES

- Protect Step Edge.
- Provide Slip Resistance.
- Provide Visual Contrast for step edge.

SURFACE

- Anodized Aluminium with Interchangeable Rubber Insert.
- Colours: Silver, Gold & Bronze with Black Rubber.

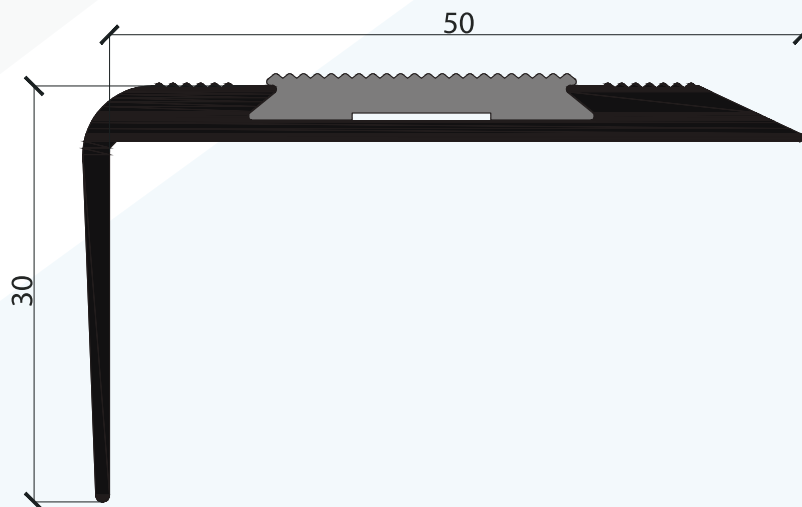
MATERIAL

- Aluminium Alloy 6063, T6.
- EPDM Rubber

FUNCTIONS

- The upper side is knurled to increase slip and slide resistance.
- Rubber part Changeable.

Type	H [mm]	W [mm]	L [m]
AST 5030	30	50	2.7





FEATURES

- Protect Step Edge.
- Provide Slip Resistance.
- Provide Visual Contrast for step edge.

SURFACE

- Anodized Aluminium with Interchangeable Carborundum Non-Slip Strip.
- Colours: Silver, Gold & Bronze with Black Rubber Carborundum.

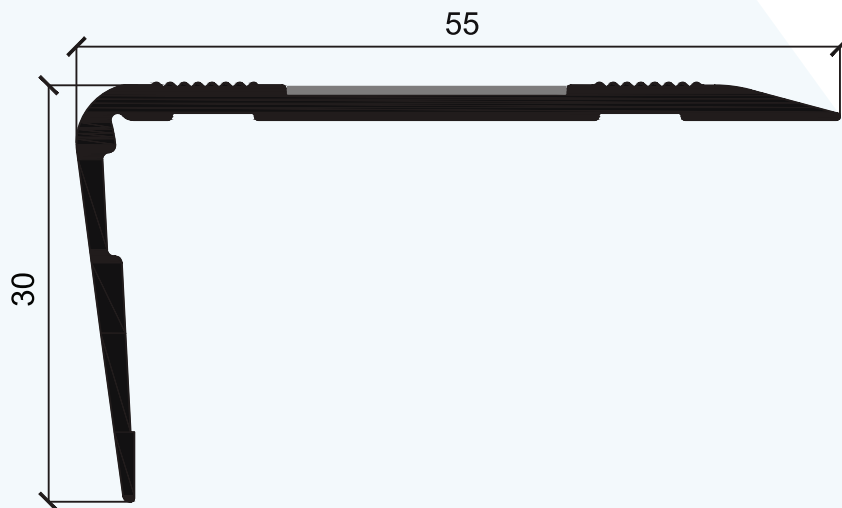
MATERIAL

- Aluminium Alloy 6063, T6.
- 20mm Self-Adhesive Carborundum.

FUNCTIONS

- The upper side is knurled to increase slip and slide resistance.
- Carborundum part Changeable.

Type	H [mm]	W [mm]	L [m]
AST 5530	30	55	2.7





FEATURES

- Protect Step Edge.
- Provide Slip Resistance.
- Provide Visual Contrast for step edge.

SURFACE

- Anodized Aluminium.
- Colours: Silver, Gold & Bronze.

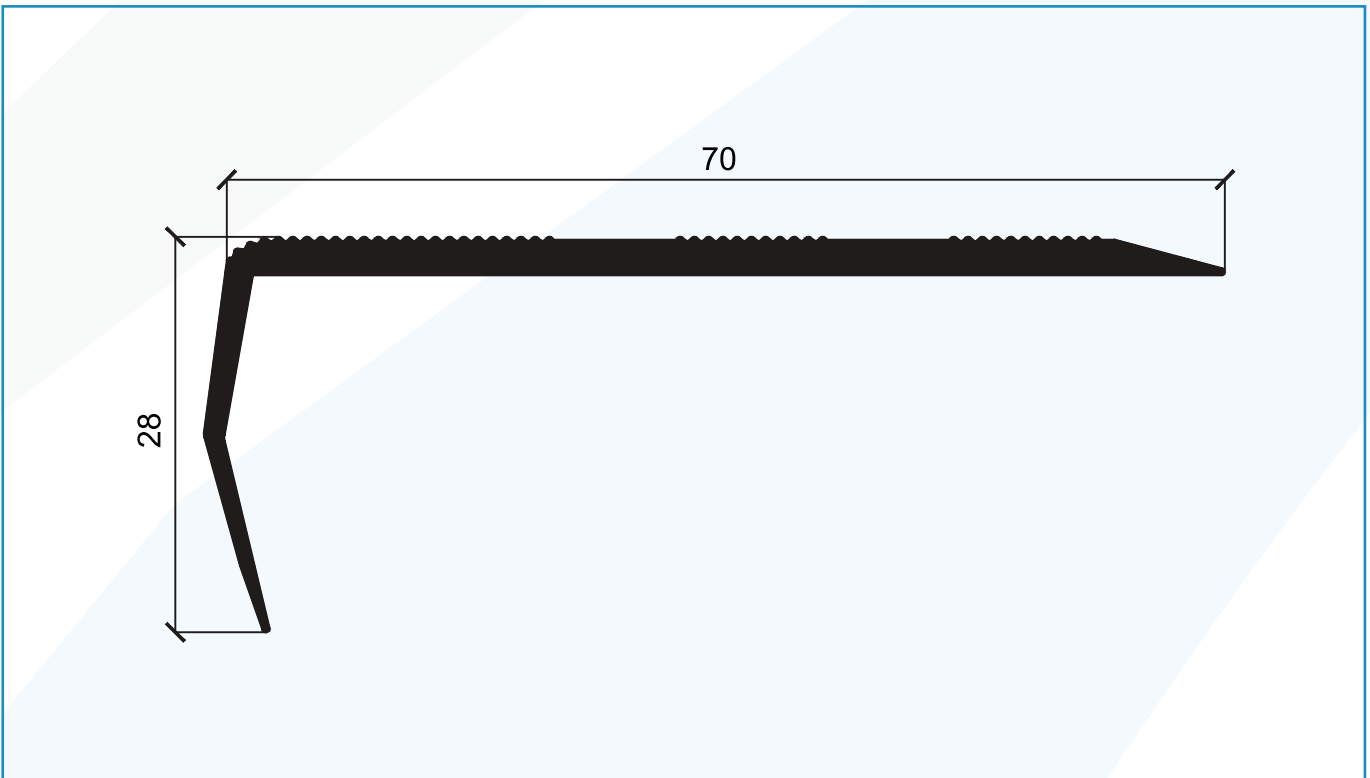
MATERIAL

- Aluminium Alloy 6063, T6.

FUNCTIONS

- The upper side is knurled to increase slip and slide resistance.

Type	H [mm]	W [mm]	L [m]
AST 7028	28	70	2.7





FEATURES

- Protect Step Edge.
- Provide Slip Resistance.
- Provide Visual Contrast for step edge.

SURFACE

- Anodized Aluminium with Interchangeable Rubber Insert.
- Colours: Silver, Gold & Bronze with Black Rubber.

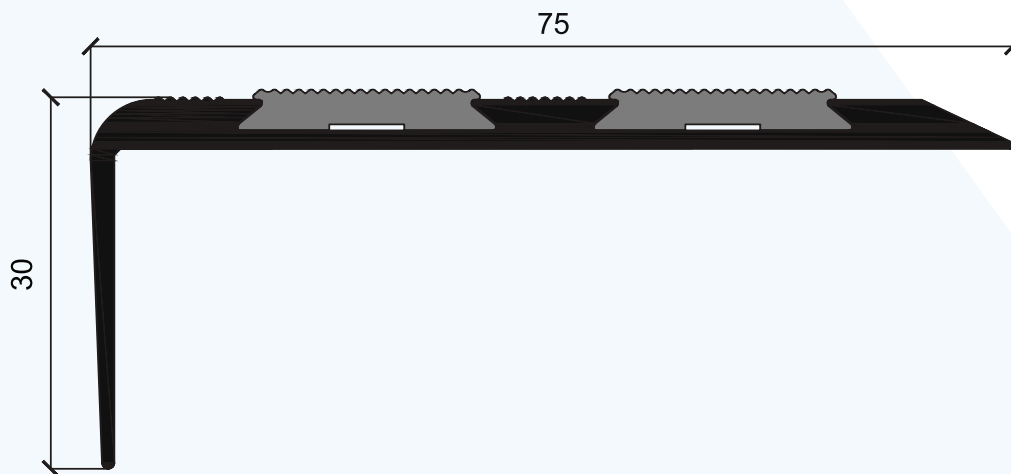
MATERIAL

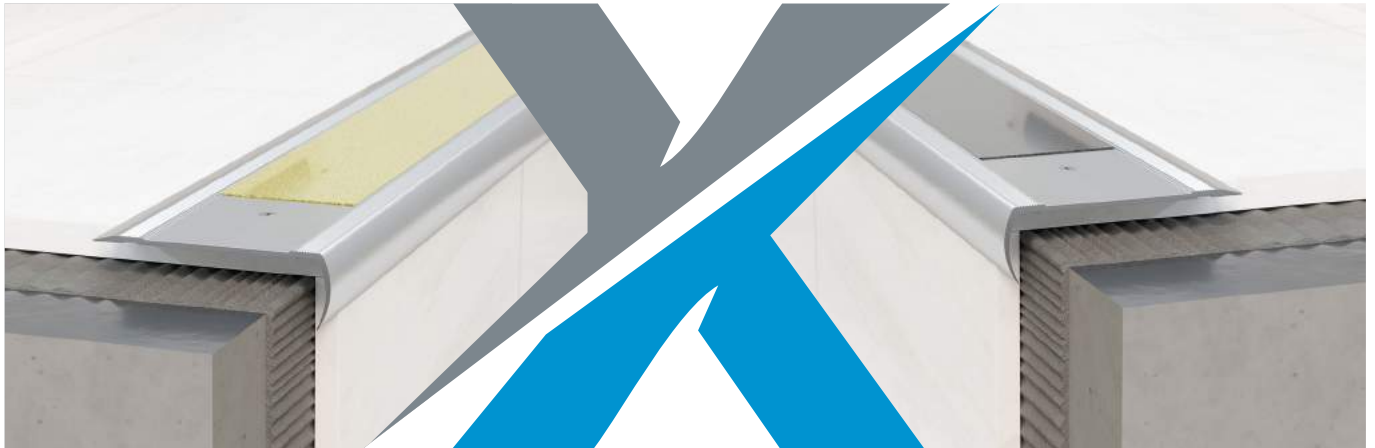
- Aluminium Alloy 6063, T6.
- EPDM Rubber

FUNCTIONS

- The upper side is knurled to increase slip and slide resistance.
- Rubber part Changeable.

Type	H [mm]	W [mm]	L [m]
AST 7530	3.0	75	2.7





FEATURES

- Protect Step Edge.
- Provide Slip Resistance.
- Provide Visual Contrast for step edge.

SURFACE

- Anodized Aluminum with Interchangeable Carborundum Non-Slip Strip.
- Colours: Silver, Gold & Bronze with Black Carborundum.

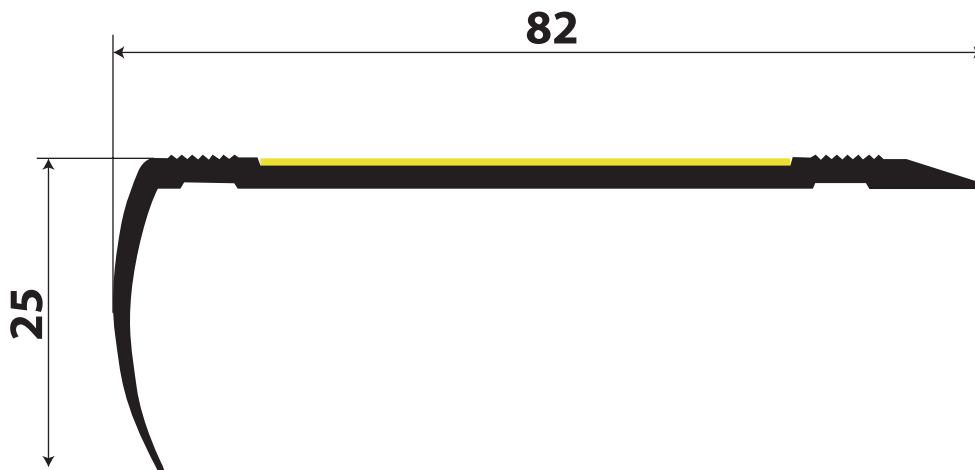
MATERIAL

- Aluminium Alloy 6063, T6
- 50 mm Self-Adhesive Carborundum.

FUNCTIONS

- The upper side is knurled to increase slip and slide resistance.
- Carborundum part Changeable.

Type	H [mm]	W [mm]	L [m]
AST 8025	25	82	2.7



**ANTI-SLIP
TAPE**

CARBORUNDUM TYPE

Anti Slip Tape
Abrasive Adhesive Strips



Description:

Every home and office have areas where the danger of slipping is higher than elsewhere. We have developed anti-slip products which minimize the risk and ensure a safe footing. With our practical anti-slip products, you can avoid unnecessary accidents, especially when small children or elderly people frequently use the risk areas.

Applications:

The Concrete, metal, plastic, wood, tile, stone, laminate. This tape is weather and water proof, making it ideal for ensuring safety on steps, ladders, ramps, decks and other safety equipment.

Colors:

Black, Blue, Brown, Yellow, White, Black/Yellow, Light gray, Gray Luminous others colors upon enquiry.

Size:

20,50 and others sizes upon enquiry.

Technical Data

Model	NE-AS08
Carrier	PET-Carborundum
Thickness	0.75-0.85mm
Adhseive	Solvent acrylic
Initial tack (#)	≥ 1
Holding Power (h)	≥ 33
180° Adhseive on to Steel	7.961N/25mm
Tensile Deformation	≤3%
Common Temperature	0-80°C
Rupture Elongate	15%

PVC TYPE

It is based on PEVA film coated with solvent adhesive which is Soft environmental good elasticity resistance to chemical corrosion



Description:

Every home and office have areas where the danger of slipping is higher than elsewhere. We have developed anti-slip products which minimize the risk and ensure a safe footing. With our practical anti-slip products, you can avoid unnecessary accidents, especially when small children or elderly people frequently use the risk areas.

Applications:

PEVA anti-slip tape is widely used in anti-skidding places which are objects cause of humidity like bathroom, bathtub, swimming pool, skidding, viscous oil or special protecting.

Colors:

Black, Blue, Brown, Yellow, White, Black/Yellow, Light gray, Gray Luminous others colors upon enquiry.

Size:

20,50 and others sizes upon enquiry.

Technical Data

Model	AS06
Carrier	PEVA
Thickness	0.75mm
Adhseive	Solvent
Initial tack (#)	≥ 5
Holding Power (h)	≥ 1.8
180° Adhseive on to Steel	≥ 1.034N/25mm
Tensile Strength	≥ 17.7935KG F
Elongation	≥ 1.034N/25mm
Common Temperature	0-80°C

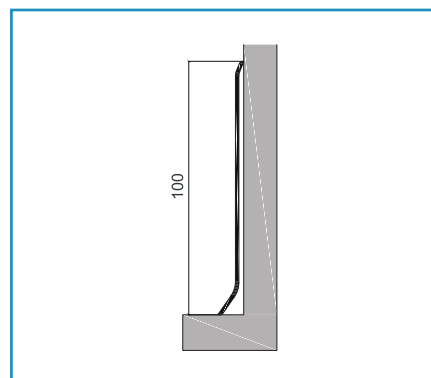
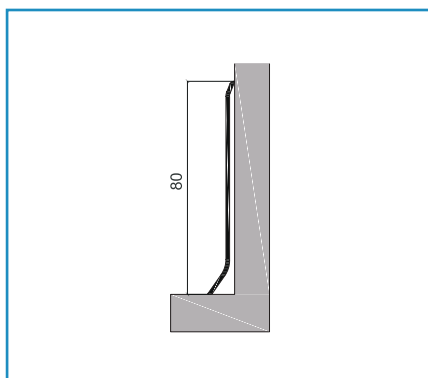
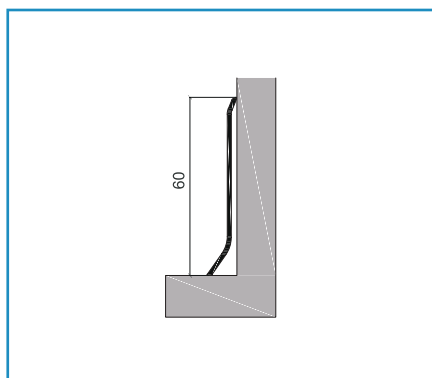
The background consists of several overlapping geometric shapes in two shades of blue: a vibrant medium blue and a lighter sky blue. The shapes are angular and abstract, creating a dynamic, layered effect. A prominent dark blue shape on the left contains the word 'SKIRTING' in white, bold, uppercase letters. Other shapes include a large light blue triangle at the top right, a dark blue triangle at the bottom right, and various diagonal bands and points of intersection between the colors.

SKIRTING



FEATURES

NEXUS NASK is a Square Shape Aluminum Tile Trim profile for Walls in 11 Anodized colors.



Type	H [mm]	L [mm]
NASK 60	60	3
NASK 80	80	3
NASK 100	100	3

COLORS



Silver Matt



Silver Polish



Gold Matt



Gold Polish



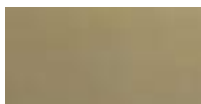
741 Champ Matt



741 Champ Polish



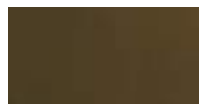
743 Bronze Matt



743 Bronze Polish



747 Bronze Matt



747 Bronze Polish

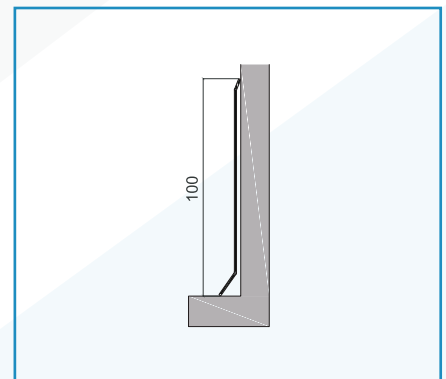
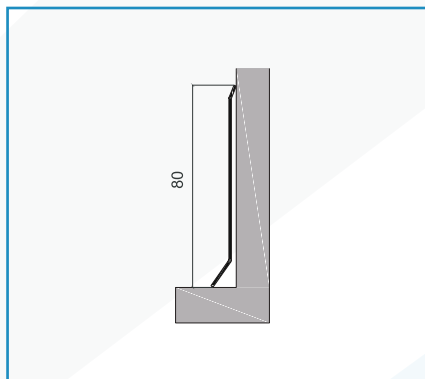
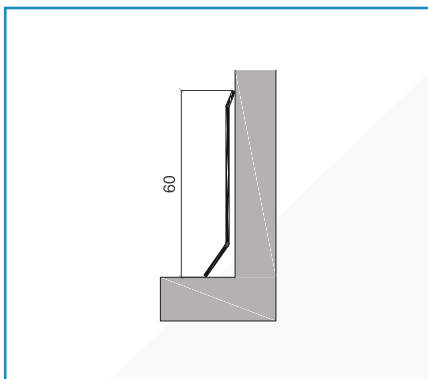


Black Matt



FEATURES

NEXUS NSSK profile is a Stainless Steel Skirting in both SS304 and SS316L Grades in Polished and Brushed finishes.



SS 304 Polish Finish

Type	H [mm]	L [m]
NSSK 60	60	2.7
NSSK 80	80	2.7
NSSK 100	100	2.7

SS 316 Polish Finish

Type	H [mm]	L [m]
NSSKL 60	60	2.7
NSSKL 80	80	2.7
NSSKL 100	100	2.7

SS 304 Brush Finish

Type	H [mm]	L [m]
NSSKB 60	60	2.7
NSSKB 80	80	2.7
NSSKB 100	100	2.7

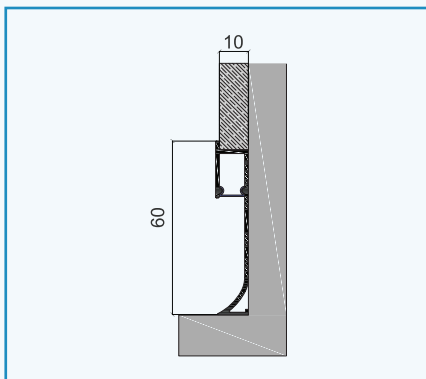
SS 316 Brush Finish

Type	H [mm]	L [m]
NSSKLB 60	60	2.7
NSSKLB 80	80	2.7
NSSKLB 100	100	2.7



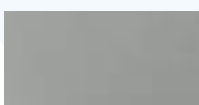
FEATURES

NEXUS NASL 60 is a Aluminum Skirting with LED Lights (Optional) in 11 Anodized colors.



Type	H (mm)	L [mm]
NALT 010	10	2.7

COLORS



Silver Matt



Silver Polish



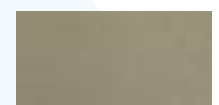
Gold Matt



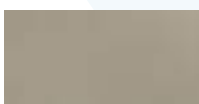
Gold Polish



741 Champ Matt



741 Champ Polish



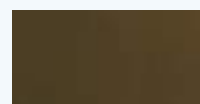
743 Bronze Matt



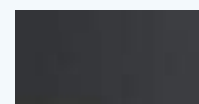
743 Bronze Polish



747 Bronze Matt



747 Bronze Polish

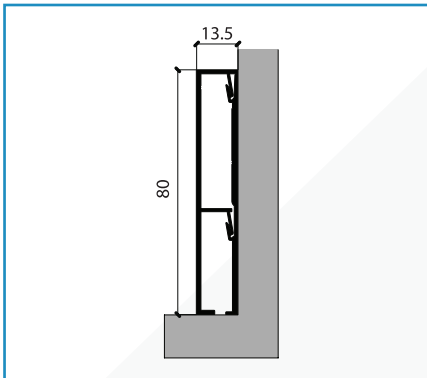


Black Matt



FEATURES

NEXUS NASL 80 is a Aluminum Skirting with U Clips each (400 mm Length) in 11 Anodized colors.

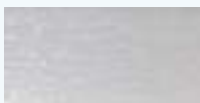


Type	H (mm)	L [mm]
NASL 80	80	2.7

COLORS



Silver Matt



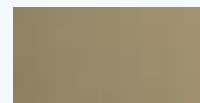
Silver Polish



Gold Matt



Gold Polish



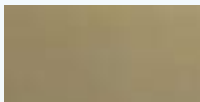
741 Champ Matt



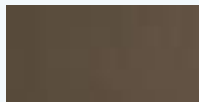
741 Champ Polish



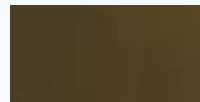
743 Bronze Matt



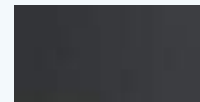
743 Bronze Polish



747 Bronze Matt



747 Bronze Polish

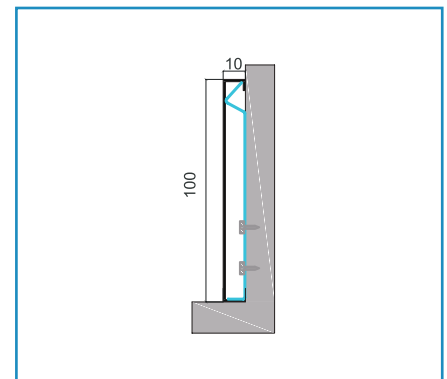
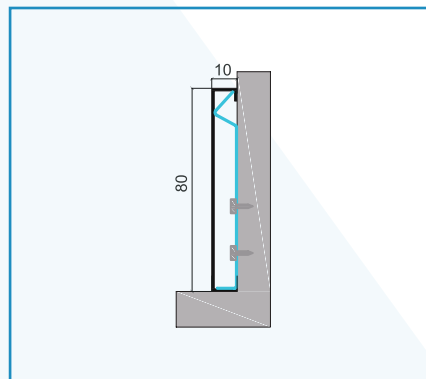
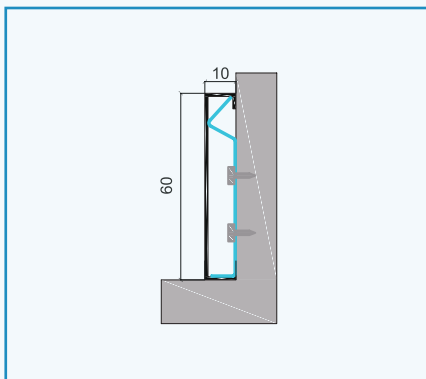


Black Matt



FEATURES

NEXUS NSSK 10 profile is a Stainless Steel Skirting with SS Clips (40mm length, 4 clips per length) available in both SS304 and SS316L Grades in Polished and Brushed finishes.



SS 304 Polish Finish

Type	H (mm)	W (mm)	L (m)
NSSK 6010	60	10	2.7
NSSK 8010	80	10	2.7
NSSK 10010	100	10	2.7

SS 316 Polish Finish

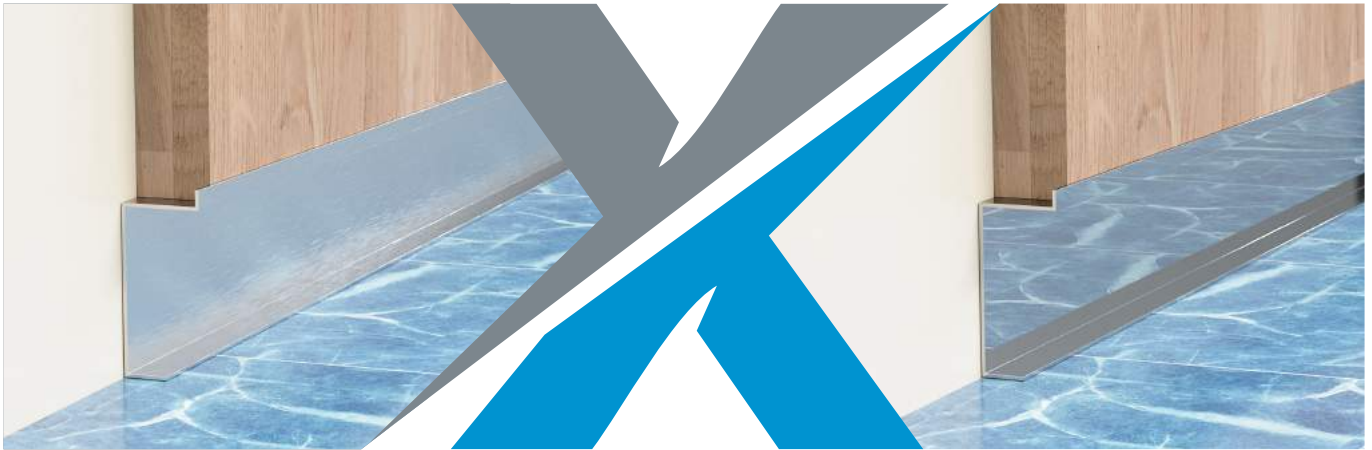
Type	H (mm)	W (mm)	L (m)
NSSKL 6010	60	10	2.7
NSSKL 8010	80	10	2.7
NSSKL10010	100	10	2.7

SS 304 Brush Finish

Type	H (mm)	W (mm)	L (m)
NSSKB 6010	60	10	2.7
NSSKB 8010	80	10	2.7
NSSKB 10010	100	10	2.7

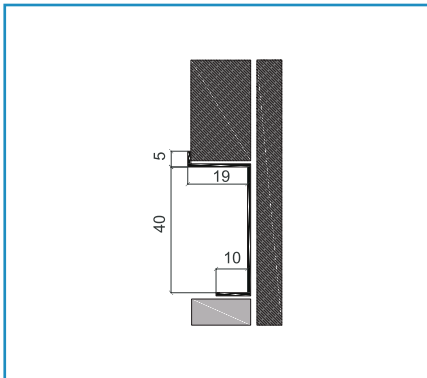
SS 316 Brush Finish

Type	H (mm)	W (mm)	L (m)
NSSKLB 6010	60	10	2.7
NSSKLB 8010	80	10	2.7
NSSKLB 10010	100	10	2.7



FEATURES

NEXUS NSSK 1940 profile is a Stainless Steel Skirting available in both SS304 and SS316L Grades in Polished and Brushed finishes.



SS 304 Polish Finish

Type	H (mm)	W (mm)	L (m)
NSSK 1940	40	19	2.7

SS 316 Polish Finish

Type	H (mm)	W (mm)	L (m)
NSSKL 1940	40	19	2.7

SS 304 Brush Finish

Type	H (mm)	W (mm)	L (m)
NSSKB 1940	40	19	2.7

SS 316 Brush Finish

Type	H (mm)	W (mm)	L (m)
NSSKLB 1940	40	19	2.7

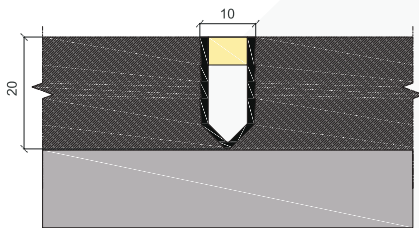
MOVEMENT JOINT



FEATURES

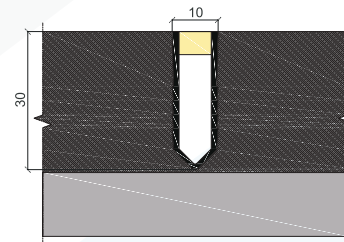
Nexus SPVM Profile is a straight hard PVC Tile Movement Joint with soft PVC infill.
Soft PVC Colours : Ivory, Grey, Transparent

SPVM 20



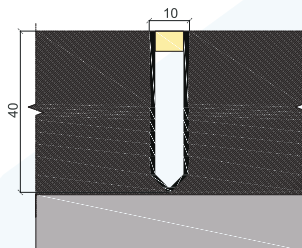
Type	H (mm)	W (mm)	L (m)
SPVM 20	20	10	2.7

SPVM 30



Type	H (mm)	W (mm)	L (m)
SPVM 30	30	10	2.7

SPVM 40



Type	H (mm)	W (mm)	L (m)
SPVM 40	40	10	2.7

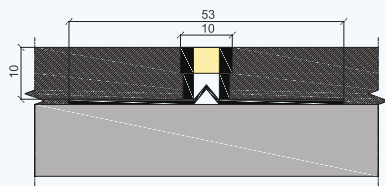


FEATURES

Nexus PVM Profile is a 2L shaped PVC Tile Movement Joint with soft PVC infill.

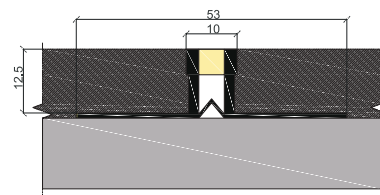
Soft PVC Colours : Ivory, Grey, Transparent

PVM 10



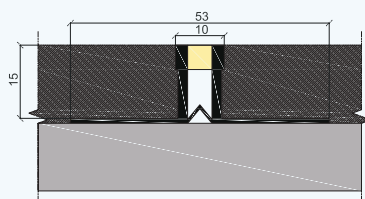
Type	H (mm)	W (mm)	L (m)
PVM 10	10	53	2.7

PVM 12.5



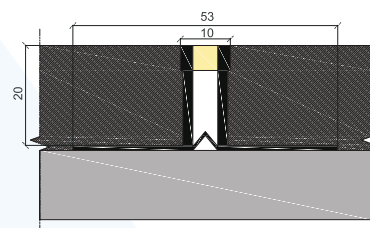
Type	H (mm)	W (mm)	L (m)
PVM 12.5	10	53	2.7

PVM 15



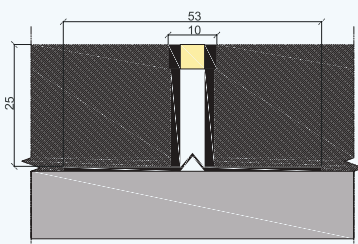
Type	H (mm)	W (mm)	L (m)
PVM 15	10	53	2.7

PVM 20

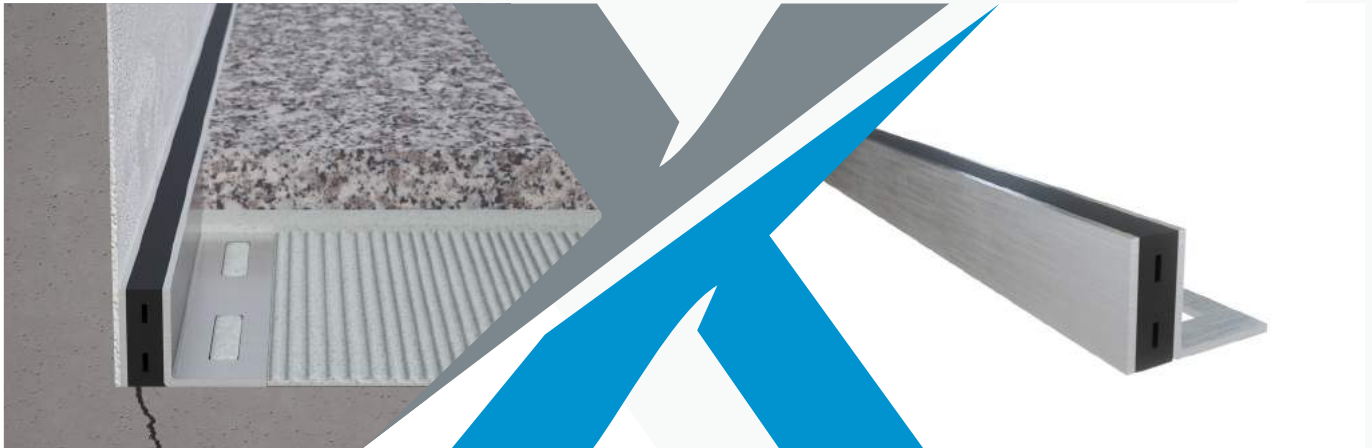


Type	H (mm)	W (mm)	L (m)
PVM 20	10	53	2.7

PVM 25



Type	H (mm)	W (mm)	L (m)
PVM 25	10	53	2.7



FEATURES

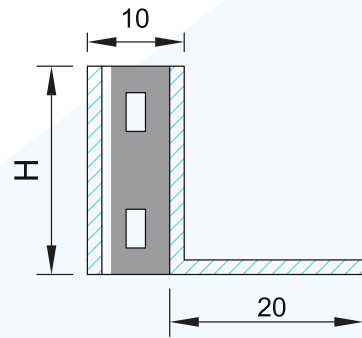
Tile Movement Joint NMJ-1L is manufactured using one flat side plate on side and L-plate on the other side bonded to the rubber insert. These profiles are particularly useful for perimeter fixing or an existing finished area. Rubber inserts are available in 10 standard colours.

All profiles are fabricated for a cut length of 2.44 meters or any required length less than 2.44 meters.

APPLICATIONS

MOVEMENT JOINTS

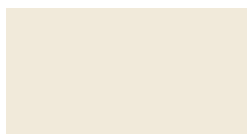
Type	H (mm)	W (mm)	L (m)
NMJ-1L10	10	10	2.44
NMJ-1L12.5	12.5	10	2.44
NMJ-1L15	15	10	2.44
NMJ-1L 20	20	10	2.44
NMJ-1L 25	25	10	2.44
NMJ-1L 30	30	10	2.44
NMJ-1L 50	50	10	2.44



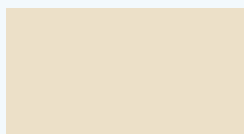
Note:

- Other sizes / shapes are available upon request.

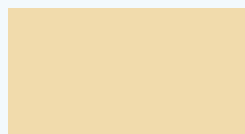
STANDARD COLORS



Milky White



Alabaster



Light Beige



Linen



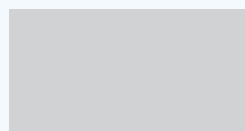
Sandstone



Light Smoke



Earth



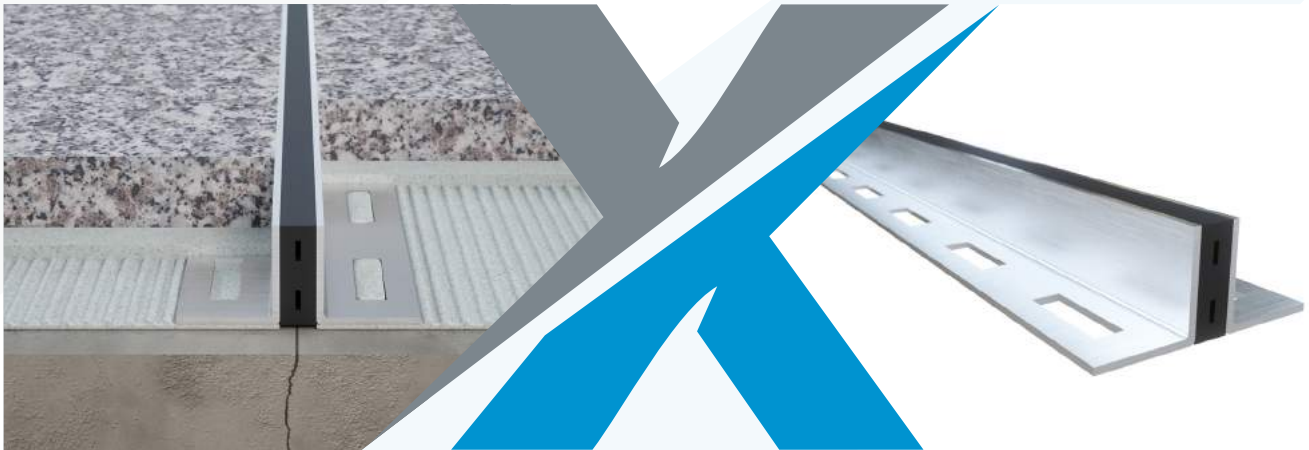
Light Grey



Pewter



Black



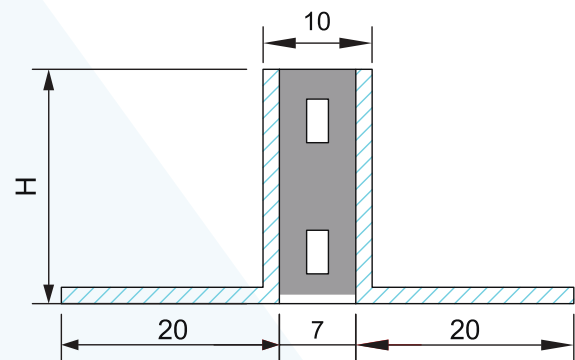
FEATURES

Tile Movement Joint NMJ-S is manufactured using 1.5mm side plate of Brass, Stainless Steel or Aluminum bonded firmly to a rubber insert of 7mm. The side plates range from 15mm onwards to maximum of 100mm in height and can be specially ordered for a greater thickness for heavy duty applications. Rubber inserts are available in 10 standard colours. All profiles are fabricated for a cut length of 2.44mtr or any other required length less than 2.44mtr.

APPLICATIONS

MOVEMENT JOINTS

Type	H (mm)	W (mm)	L (m)
NMJ-2L10	10	10	2.44
NMJ-2L12.5	12.5	10	2.44
NMJ-2L15	15	10	2.44
NMJ-2L 20	20	10	2.44
NMJ-2L 25	25	10	2.44
NMJ-2L 30	30	10	2.44
NMJ-2L 50	50	10	2.44

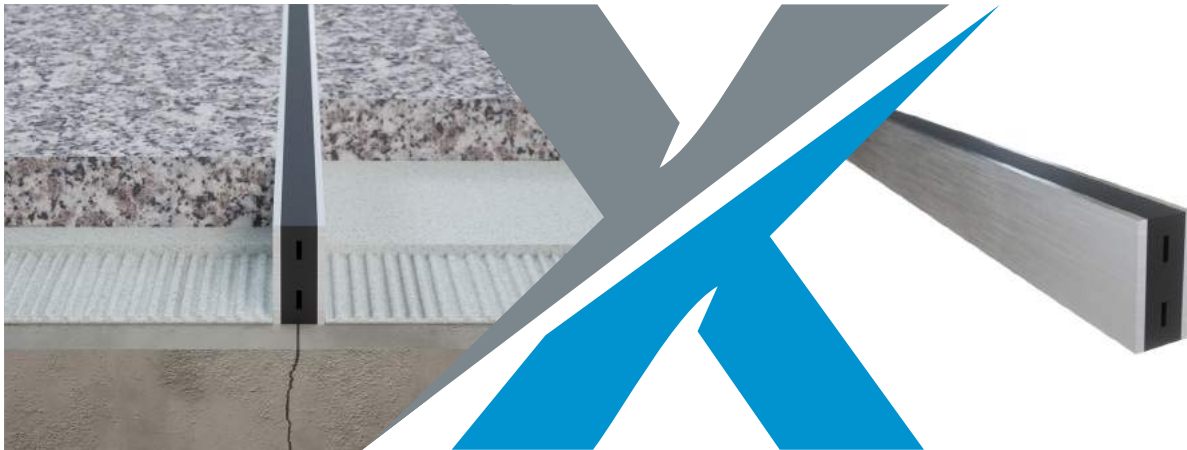


Note:

- Other sizes / shapes are available upon request.

STANDARD COLORS





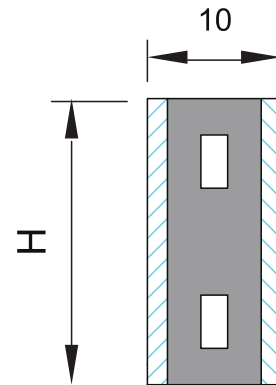
FEATURES

Tile Movement Joint NMJ-S is manufactured using 1.5mm side plate of Brass, Stainless Steel or Aluminum bonded firmly to a rubber insert of 7mm. The side plates range from 15mm onwards to maximum of 100mm in height and can be specially ordered for a greater thickness for heavy duty applications. Rubber inserts are available in 10 standard colours. All profiles are fabricated for a cut length of 2.44mtr or any other required length less than 2.44mtr.

APPLICATIONS

MOVEMENT JOINTS

Type	H (mm)	W (mm)	L (m)
NMJ-S10	10	10	2.44
NMJ-S12.5	12.5	10	2.44
NMJ-S15	15	10	2.44
NMJ-S 20	20	10	2.44
NMJ-S 25	25	10	2.44
NMJ-S 30	30	10	2.44
NMJ-S 50	50	10	2.44



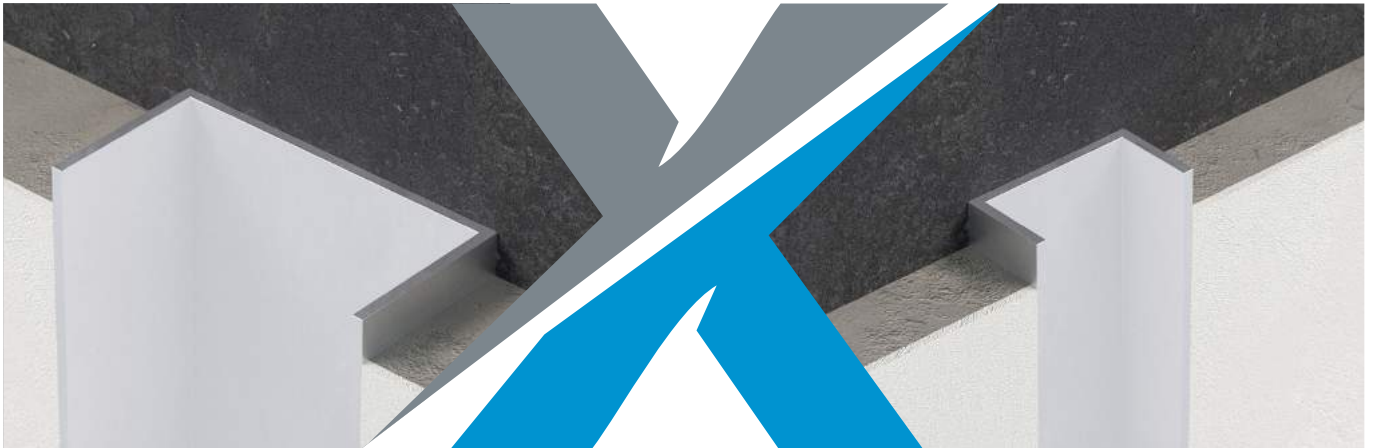
Note:

- Other sizes / shapes are available upon request.

STANDARD COLORS



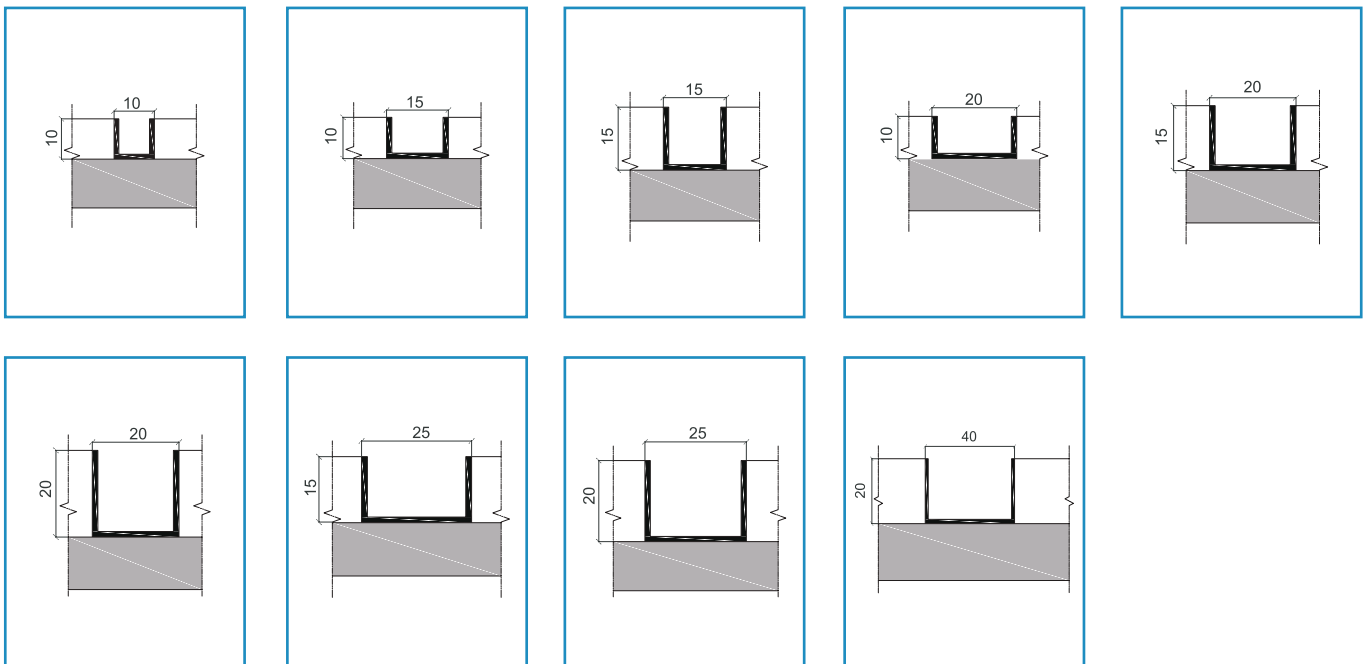
CHANNELS / STRIPS



FEATURES

NEXUS AC.. profile is a natural Aluminium U Channel for Walls.

Additional Colours: Any Powder Coating Standard RAL



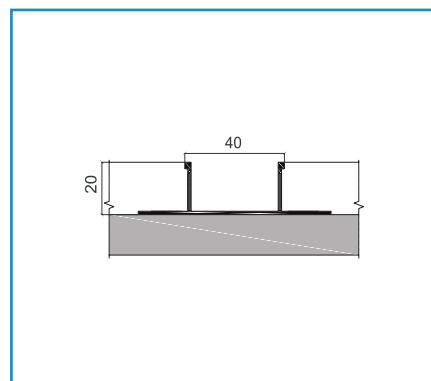
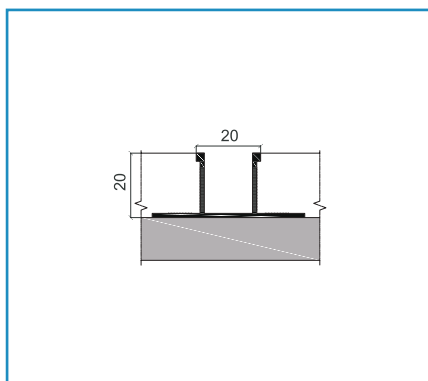
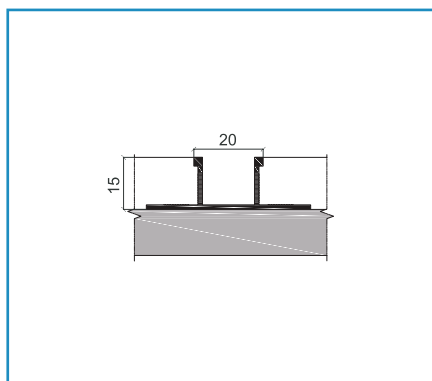
Type	H (mm)	W [mm]	L (m)
AC 1010	10	10	3
AC 1510	10	15	3
AC 1515	15	15	3
AC 2010	10	20	3
AC 2015	15	20	3
AC 2020	20	20	3
AC 2515	15	25	3
AC 2520	20	25	3
AC 4020	20	40	3



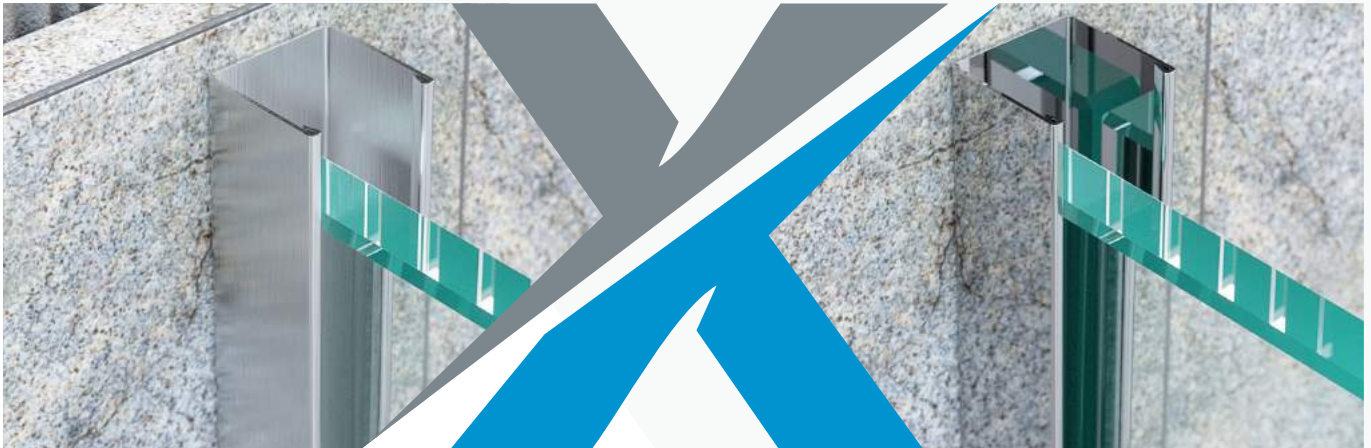
FEATURES

NEXUS ACW profile is a natural Aluminium U Channel with wings for Walls.

Additional Colours: Any Powder Coating Standard RAL

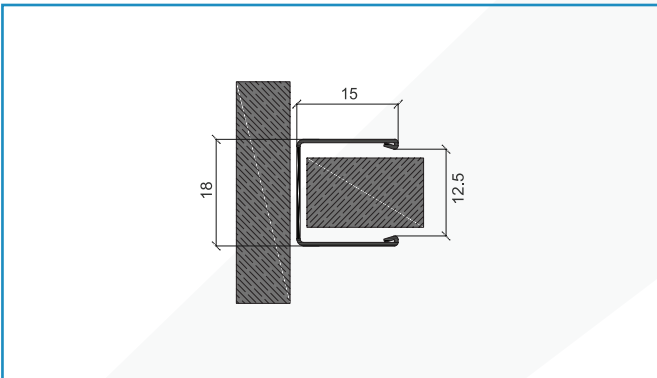


Type	H [mm]	W [mm]	T [mm]	L [m]
ACW 2015	15	20	1.3	3
ACW 2020	20	20	1.3	3
ACW 4020	20	40	1.3	3



FEATURES

NEXUS NGCH 15 profile is a Stainless Steel Glass Groove in both SS304 and SS316L Grades in Polished and Brush finish



SS 304 Polish Finish

Type	H (mm)	W (mm)	L (m)
NGCH 15	15	12.5	2.7

SS 316 Polish Finish

Type	H (mm)	W (mm)	L (m)
NGCHL 15	15	12.5	2.7

SS 304 Brush Finish

Type	H (mm)	W (mm)	L (m)
NGCHB 15	15	12.5	2.7

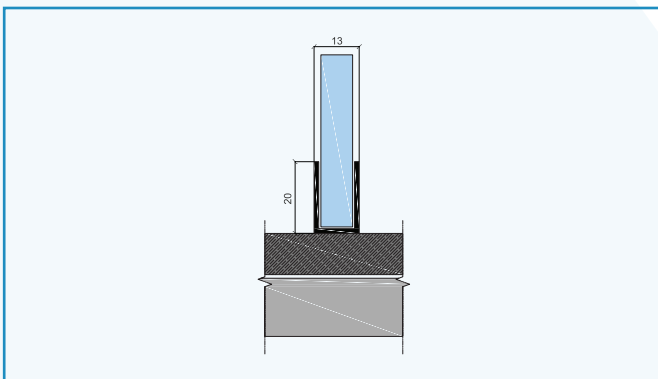
SS 316 Brush Finish

Type	H (mm)	W (mm)	L (m)
NGCHLB 15	15	12.5	2.7



FEATURES

NEXUS ACG is a natural Aluminium U Channel for Glass.



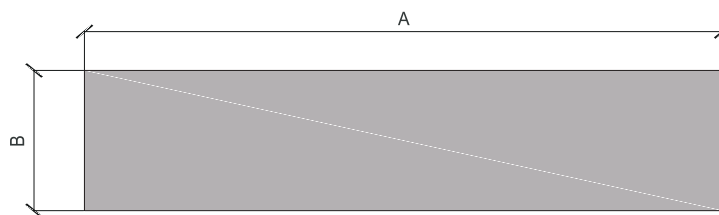
Type	H (mm)	W (mm)	T (mm)	L (m)
ACG 2010	20	13	1.3	2.7



FEATURES

NEXUS NFS is a natural Aluminum Flat Strip.

Additional Colours: Any Powder Coating Standard RAL



Type	A [mm]	B [mm]	L [m]
NFS 1203	12	3	3
NFS 2003	20	3	3
NFS 2005	20	5	3
NFS 2503	25	3	3
NFS 2505	25	5	3
NFS 3003	30	3	3
NFS 3005	30	5	3
NFS 5003	50	3	3
NFS 5005	50	5	3

LANDSCAPING



FEATURES

NEXUS NLS Aluminum Landscape Edging offering professional grade quality landscape finishing. Favored by landscape professionals for its sleek appearance, durability, easy installation and lifetime warranty, this edging is ideal for both curves and straight runs. Use it to create a tidy edge on garden beds, tree rings, and walkways, as well as brick or stone patios. Prevents weeds from infiltrating beds, and keeps mulch and gravel contained.

FUNCTIONS

- Will not rust, crack, rot, or become brittle
- Easily create straight lines or curves
- Virtually maintenance free
- Great for landscape beds, tree rings, walkways and pathways, brick or stone patio gardens and drip edges
- Easy-to-install

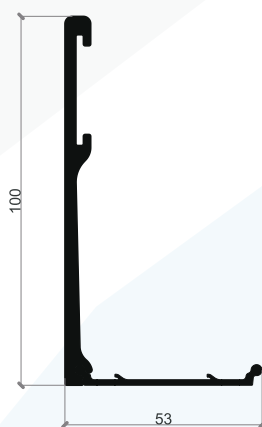
MATERIAL

- Aluminium Alloy 6063, T6.

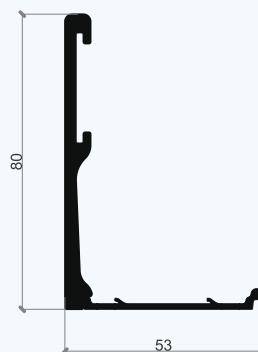
LENGTH

- 3 mtrs
- Aluminum Mill Finish

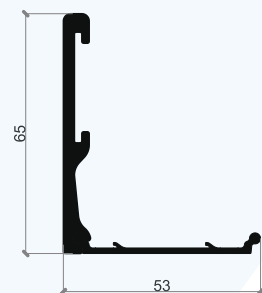
NLS 100



NLS 80



NLS 65





FEATURES

NEXUS NLSS Aluminum Landscape Edging offering professional grade quality landscape finishing. Favored by landscape professionals for its sleek appearance, durability, easy installation and lifetime warranty, this edging is ideal for both curves and straight runs. Use it to create a tidy edge on garden beds, tree rings, and walkways, as well as brick or stone patios. Prevents weeds from infiltrating beds, and keeps mulch and gravel contained.

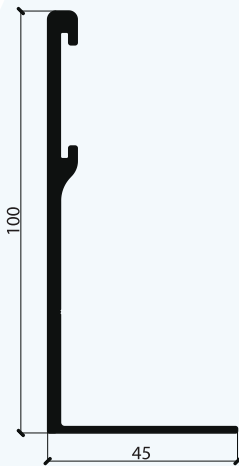
FUNCTIONS

- Will not rust, crack, rot, or become brittle
- Easily create straight lines or curves
- Virtually maintenance free
- Great for landscape beds, tree rings, walkways and pathways, brick or stone patio gardens and drip edges
- Easy-to-install

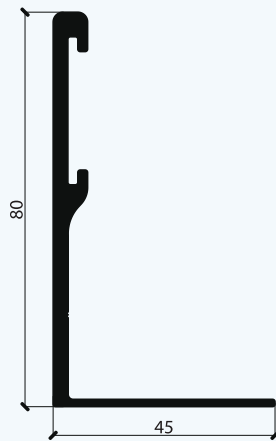
MATERIAL

- Aluminium Alloy 6063, T6.

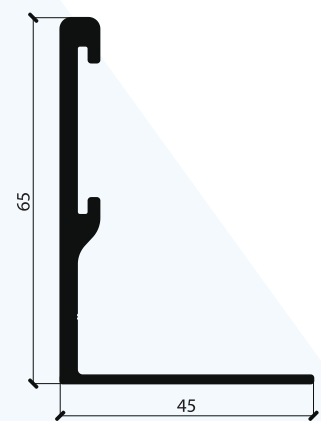
NLSS 100



NLSS 80



NLSS 65



The background consists of several overlapping geometric shapes in two shades of blue: a vibrant medium blue and a lighter sky blue. The shapes are angular and abstract, creating a dynamic, layered effect. A prominent dark blue shape on the left contains the word 'TACTILE' in white, bold, uppercase letters.

TACTILE

A Comprehensive Range of Tactile Ground Surface Indicators

Tactile is first and foremost a mobility aid for people of determination. It was first developed in 1965 and spread rapidly around the world, thus increasing its demand. Tactile flooring system is a perfect guide for a detectable warning surface and indicators.

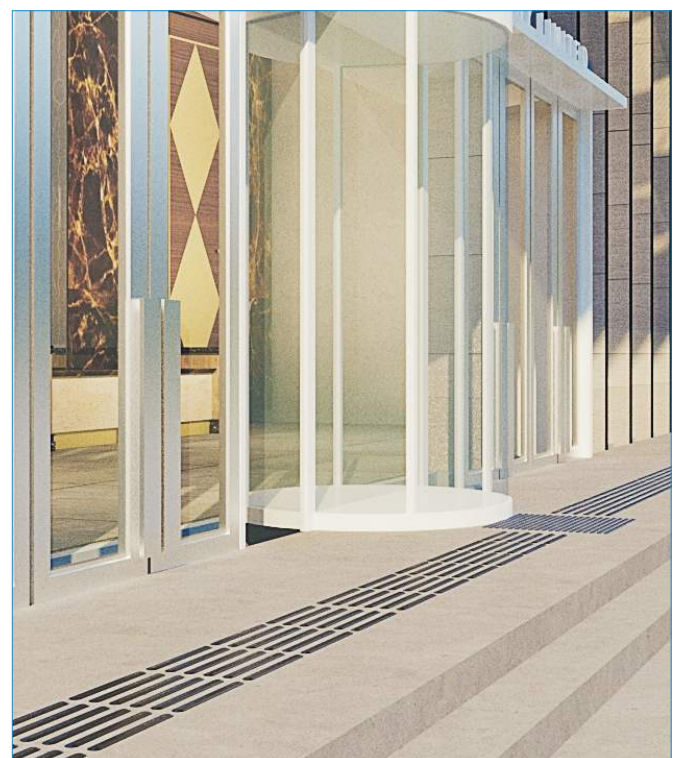
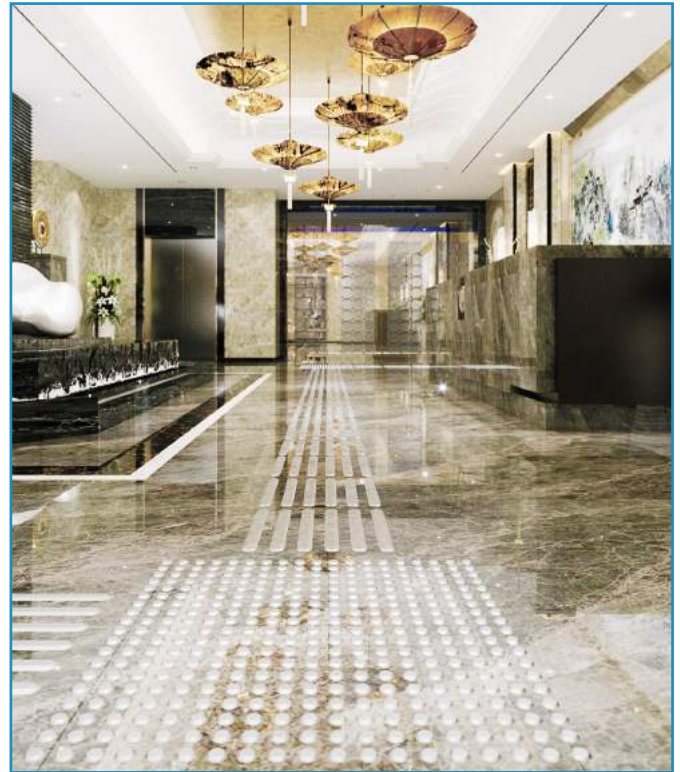
Unitech introduces its Nexus Tactile System which offers a perfect solution for the free movement of the visually impaired people in both indoor and outdoor environments. Nexus Tactile solution is available in a wide range of designs, colours and sizes in order to meet the customers' requirement. It is obtainable in a variety of materials to suit different floor surfaces and areas.

INSTALLATION

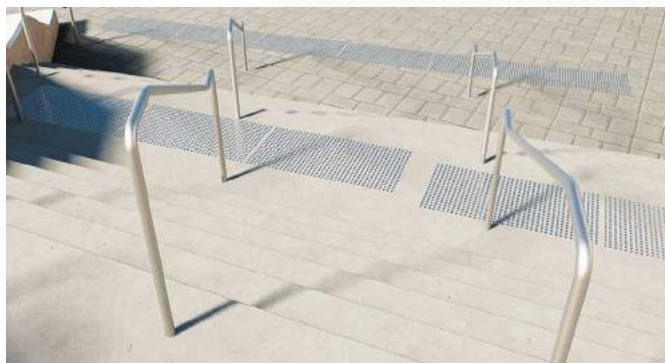
Nexus Tactile System is easy and quick to install, thus reducing the installation time and cost. It must be done correctly in order for the system to work. Current safety regulations in each country need to be carefully followed, and seeking advice from local experts is essential in order to determine the most adequate design for each project. Nexus Tactile System products have been tested in accordance with international safety requirements to ensure maximum compliance with local safety regulations. Nexus provides a comprehensive range of tactile products including tactile paving, indicator studs and strips, and accessories. With its experienced and skilled team, Nexus provides a full service solution from product supply to full installation.

NEXUS TACTILE STANDARD WARNING TACTILE

- Tested for compliance with AS 1428.4
- Tested for compliance with the NCC Section D clause 3.8
- Tested for compliance with slip resistance requirements as detailed in HB 198
- Backed by 2 year warranty



TACTILE PAVING




NB6025
Material: Stainless Steel
Size: 250x250x1.2/1.5mm



NB6026
Material: Stainless Steel
Size: 250x250x1.2/1.5mm



NB6026C
Material: Stainless Steel
Size: 250x250x1.5mm



NB6011B
Material: Stainless Steel
Size: 300x300x1.5mm



NB6006
Material: Stainless Steel
Size: 300x300x1.2/1.5mm



NB6011
Material: Stainless Steel
Size: 300x300x1.2/1.5mm



NB6006B
Material: Stainless Steel
Size: 300x300x1.5mm



NB6027
Material: Stainless Steel
Size: 300x300x1.2/1.5mm



NB6011D
Material: Stainless Steel
Size: 300x300x1.5mm



NB6028
Material: Stainless Steel
Size: 300x300x1.2/1.5mm



NB6028B
Material: Stainless Steel
Size: 300x300x1.5mm




NB6027B
Material: Stainless Steel
Size: 300x300x1.5mm



NB6013
Material: Stainless Steel
Brass
Size: 300x300x6.5mm



NB6014
Material: Stainless Steel
Brass
Size: 300x300x6.5mm



NB6004
Material: Stainless Steel
Brass
Size: 300x600x6.5mm

INDICATOR STUDS & STRIPS



ND114C
Material: Stainless Steel
Size: 35x25x4.5mm



ND1516
Material: Stainless Steel
Size: 35x25x4.5mm



ND1153
Material: Stainless Steel
Size: 35x25x4.5mm



ND1118
Material: Stainless Steel
Size: 35x25x4.5mm



ND1120
Material: Stainless Steel
Size: 35x25x4.5mm



ND1133
Material: Stainless Steel
Size: 35x25x7mm



ND1345F
Material: Stainless Steel
Size: 35x25x4.5mm



ND1501-3
Material: Stainless Steel
Size: 35x25x4.5mm



ND1501-2
Material: Stainless Steel
Size: 35x25x4.5mm



ND1151
Material: Stainless Steel
Size: 30x4mm



ND1529-5
Material: Stainless Steel
Size: 25x15x4mm



ND1605H
Material: Stainless Steel
Size: 25x18x5mm



ND1501-2
Material: Stainless Steel
Size: 290x35x4.5mm



NT5059D
Material: Stainless Steel
Size: 280x35x5mm



NT5079
Material: Stainless Steel
Size: 300x30x4mm



NT5088C
Material: Stainless Steel
Size: 380x35x5mm



NT5100
Material: Stainless Steel
Size: 140x25x5mm



NT5091
Material: Stainless Steel
Size: 370x35x5mm

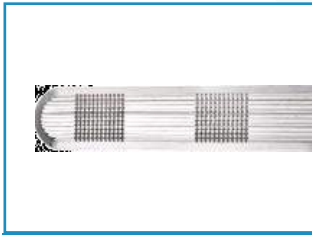


NT5093-2
Material: Stainless Steel
Size: 400x25x5mm

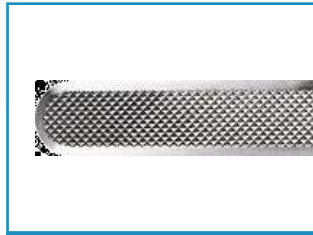


NT5099-1
Material: Stainless Steel
Size: 290x23x5mm

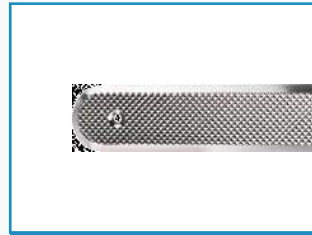
INDICATOR STUDS & STRIPS



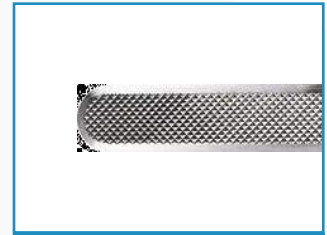
NT5067F
Material: Stainless Steel
Size: 290x35x4.5mm



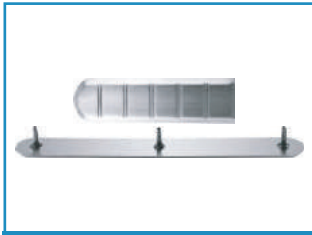
NT5067D-3
Material: Stainless Steel
Size: 280x35x5mm



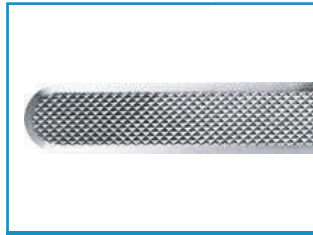
NT5049B
Material: Stainless Steel
Size: 280x35x4.5mm



NT5007
Material: Stainless Steel
Size: 280x35x4.5mm



NT5003E
Material: Stainless Steel
Size: 290x35x4.5mm



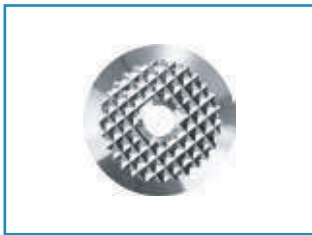
NT5064
Material: Stainless Steel
Size: 280x35x5mm



ND1519-2
Material: Stainless Steel
Size: 35x25x5mm



ND1519-6
Material: Stainless Steel
Size: 35x25x5mm



ND1543
Material: Stainless Steel
Size: 35x25x4.5mm



ND1305B
Material: Stainless Steel
Size: 35x25x4.5mm



ND1305B-7
Material: Stainless Steel
Size: 35x25x4.5mm



ND1443
Material: Stainless Steel
Size: 35x25x4.5mm



ND1323
Material: Stainless Steel
Size: 35x25x5mm

Standard Size of Warning Tactile:
35x4.5mm/35x5mm/25x5mm/25x4mm/23x5mm/22x5mm or the other size.

Standard Size of directional tactile:
280x35x4.5mm/290x35x4.5mm/320x35x5mm/370x35x5mm/380x35x5mm/420x35x5mm/230x35x5mm/140x25x5mm/400x25x5mm/280x27x5mm/290x27x5mm or the other size.

INDICATOR STUDS & STRIPS



ND1333A

Material: Stainless Steel+
Carborundum
Size: 35x25x4.5mm



ND1599

Material: Stainless Steel+
Carborundum
Size: 35x25x4.5mm



ND1314

Material: Stainless Steel+
Carborundum
Size: 35x25x4.5mm



ND1534B

Material: Stainless Steel+
Carborundum
Size: 22x12x5mm



ND1328-1

Material: Stainless Steel+
Carborundum
Size: 35x25x4.5mm



ND1600

Material: Stainless Steel+
Polyurethane
Size: 35x25x4.5mm



ND1413

Material: Stainless Steel+
Polyurethane
Size: 35x25x4.5mm



ND1313-3

Material: Stainless Steel+
Polyurethane
Size: 35x25x4.5mm



ND1329

Material: Stainless Steel+
Luminous
Size: 35x25x4.5mm



ND4011A

Material: Stainless Steel+
Polyurethane
Size: 35x25x4.5mm



ND1601C

Material: Stainless Steel+
Polyurethane
Size: 35x25x4.5mm



NT5024

Material: Stainless Steel+
Carborundum
Size: 290x35x4.5mm



NT5018A

Material: Stainless Steel+
Carborundum
Size: 280x27x5mm



NT5121

Material: Stainless Steel+
Luminous
Size: 290x35x4.5mm



NT5115

Material: Stainless Steel+
Polyurethane
Size: 35x25x4.5mm



NT5101A

Material: Stainless Steel+
Carborundum
Size: 35x25x4.5mm

COLORS AVAILABLE



INDICATOR STUDS & STRIPS



ND1464
 Material: Stainless Steel+ Resin
 Size: 22x12x5mm



ND1464C
 Material: Stainless Steel+ Resin
 Size: 22x12x5mm



ND1573A
 Material: Stainless Steel+
 Size: 22x12x5mm



ND1465
 Material: Stainless Steel+
 Size: 22x12x5mm



ND1447
 Material: Stainless Steel+ Luminous
 Size: 22x12x5mm



ND1497F
 Material: Stainless Steel+ Brass
 Size: 25x15x6mm



ND1332
 Material: Stainless Steel+ Brass
 Size: 25x15x6mm



ND1440
 Material: Stainless Steel+ Brass
 Size: 25x15x6mm



ND1331B
 Material: Stainless Steel+ Brass
 Size: 25x15x6mm



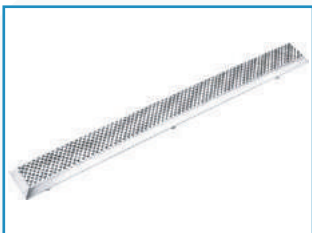
ND2028E
 Material: Stainless Steel+ Brass
 Size: 25x15x6mm



NT5073
 Material: Stainless Steel+ Brass
 Size: 290x27x5mm



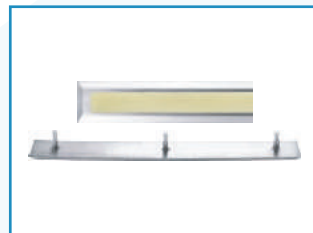
NT5073C
 Material: Stainless Steel+ Brass
 Size: 290x27x5mm



NT5075-2
 Material: Stainless Steel
 Size: 290x27x5mm



NT5045
 Material: Stainless Steel
 Size: 90x27x5mm



NT5073L
 Material: Stainless Steel+ Luminous
 Size: 290x27x5mm



PVD Treatment

INDICATOR STUDS & STRIPS



ND3005

Material: Aluminum
Size: 35x25x4.5mm



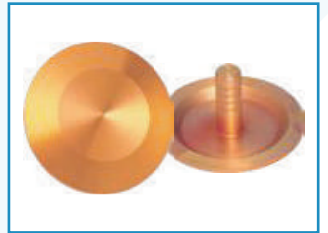
ND3011

Material: Aluminum
Size: 22x12x5mm



ND3001

Material: Aluminum
Size: 35x25x4.5mm



ND1528-1

Material: Copper
Size: 35x21x5mm



ND2002

Material: Brass
Size: 35x25x4.5mm



ND2038

Material: Brass
Size: 35x25x4.5mm



ND2043

Material: Brass
Size: 35x25x4.5mm



ND2011

Material: Brass
Size: 35x25x4.5mm



ND2010

Material: Brass
Size: 35x25x4.5mm



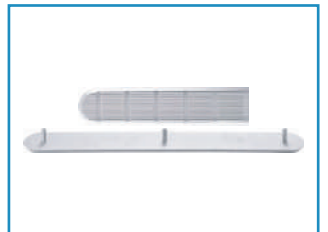
ND2045

Material: Brass
Size: 25x15x4mm



ND5082

Material: Aluminum
Size: 290x35x5mm



ND5082-1

Material: Aluminum
Size: 290x35x5mm



NT5086C

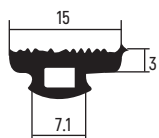
Material: Brass
Size: 280x35x5mm



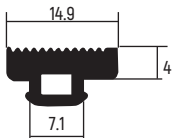
COLORS AVAILABLE

The background consists of several overlapping geometric shapes in two shades of blue. A large, dark blue shape on the left side contains the text. Other dark blue shapes are located in the top right and bottom right corners. The remaining areas are filled with a lighter blue color.

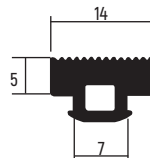
RUBBER GASKETS



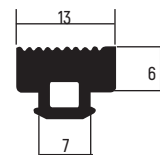
NXT - 283



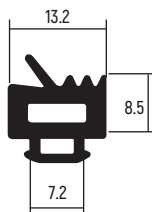
NXT - 284



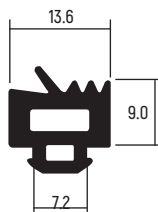
NXT - 285



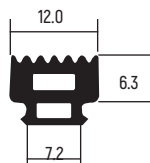
NXT - 286



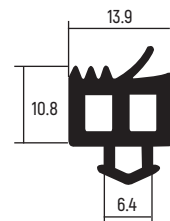
NXT - 287



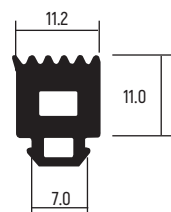
NXT - 288



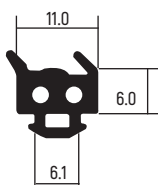
NXT - 289



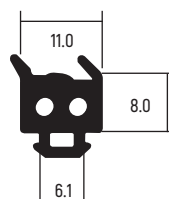
NXT - 290



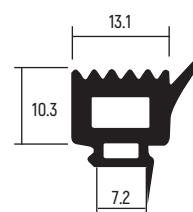
NXT - 291



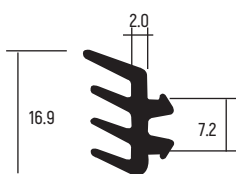
NXT - 292



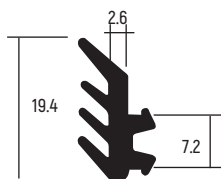
NXT - 293



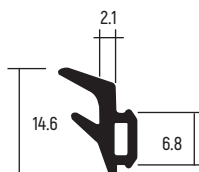
NXT - 294



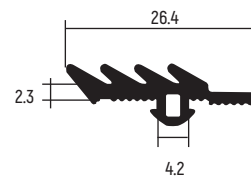
NXT - 295



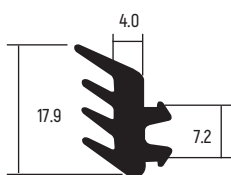
NXT - 296



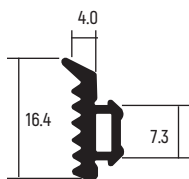
NXT - 297



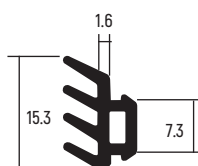
NXT - 298



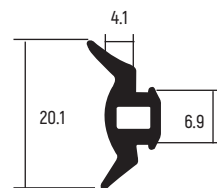
NXT - 299



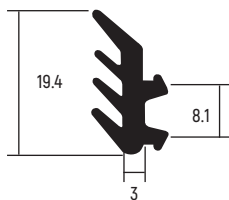
NXT - 300



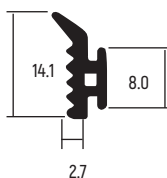
NXT - 301



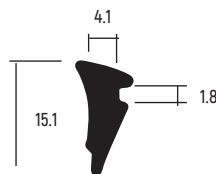
NXT - 302



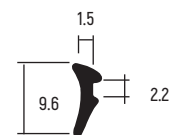
NXT - 303



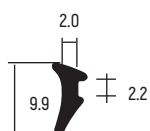
NXT - 304



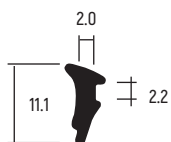
NXT - 305



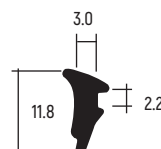
NXT - 306



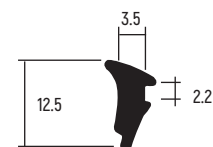
NXT - 307



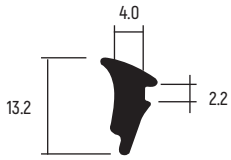
NXT - 308



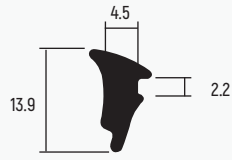
NXT - 309



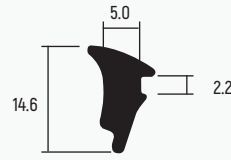
NXT - 310



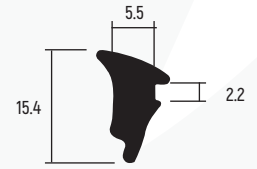
NXT - 311



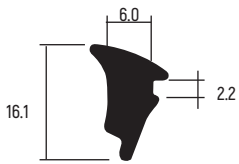
NXT - 312



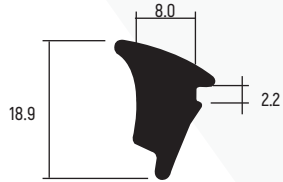
NXT - 313



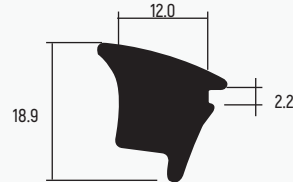
NXT - 314



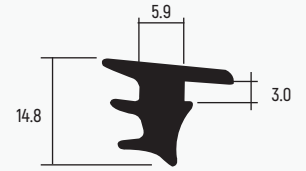
NXT - 315



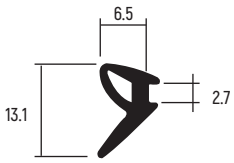
NXT - 316



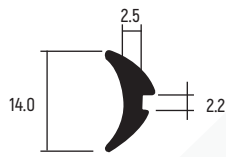
NXT - 317



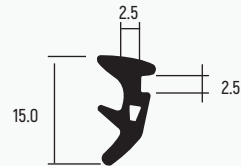
NXT - 318



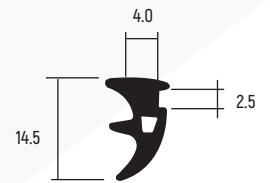
NXT - 319



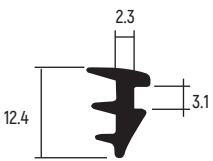
NXT - 320



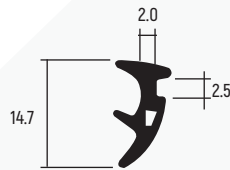
NXT - 321



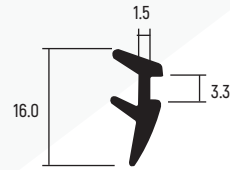
NXT - 322



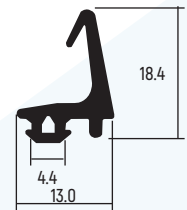
NXT - 323



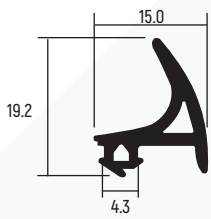
NXT - 324



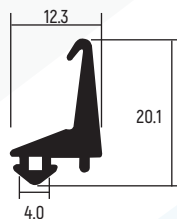
NXT - 325



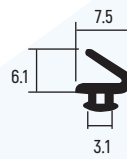
NXT - 326



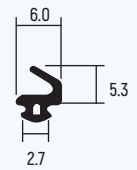
NXT - 327



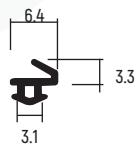
NXT - 328



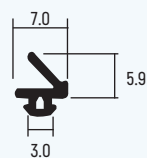
NXT - 329



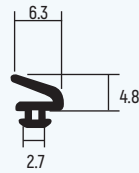
NXT - 330



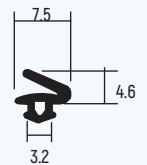
NXT - 331



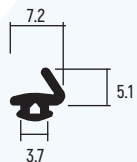
NXT - 332



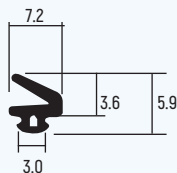
NXT - 333



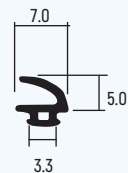
NXT - 334



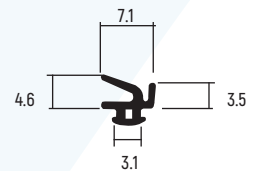
NXT - 335



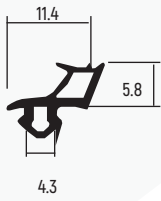
NXT - 336



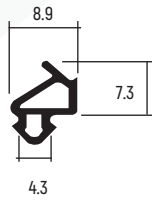
NXT - 337



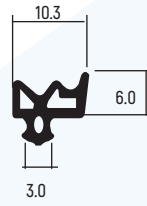
NXT - 338



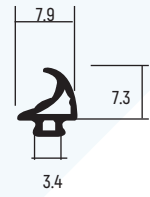
NXT - 339



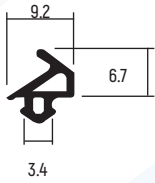
NXT - 340



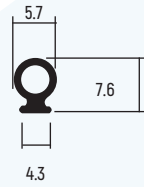
NXT - 341



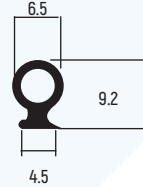
NXT - 342



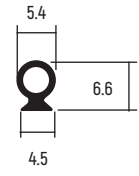
NXT - 343



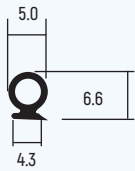
NXT - 344



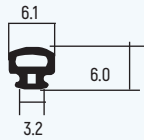
NXT - 345



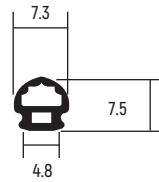
NXT - 346



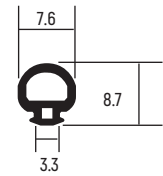
NXT - 347



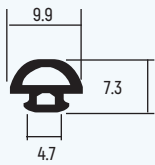
NXT - 348



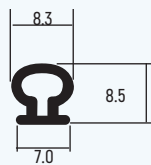
NXT - 349



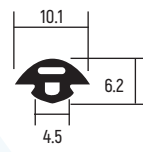
NXT - 350



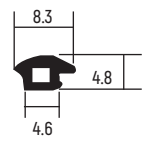
NXT - 351



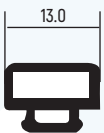
NXT - 352



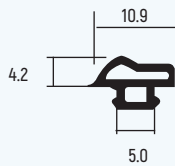
NXT - 353



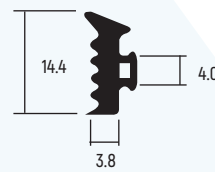
NXT - 354



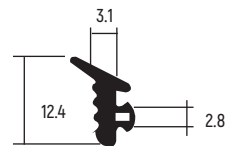
NXT - 355



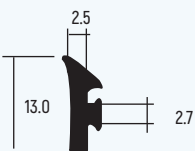
NXT - 356



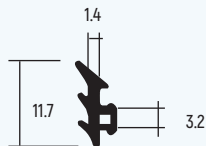
NXT - 357



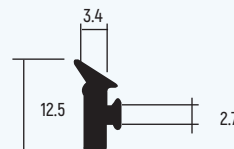
NXT - 358



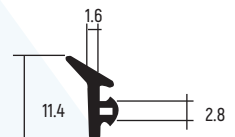
NXT - 359



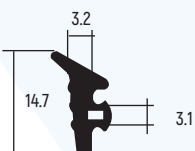
NXT - 360



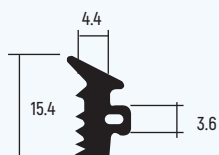
NXT - 361



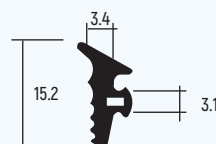
NXT - 362



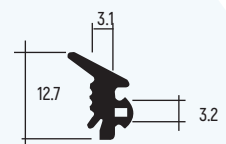
NXT - 363



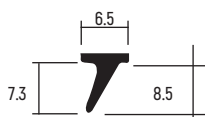
NXT - 364



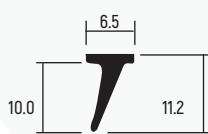
NXT - 365



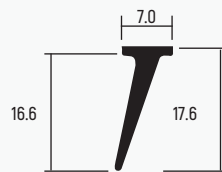
NXT - 366



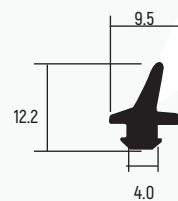
NXT - 367



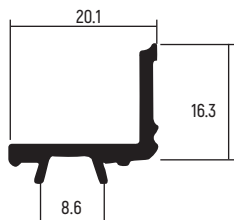
NXT - 368



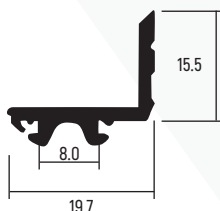
NXT - 369



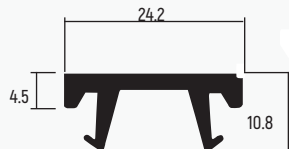
NXT - 370



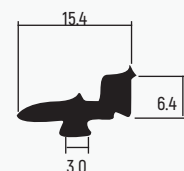
NXT - 371



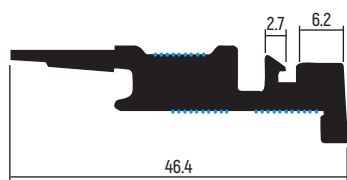
NXT - 372



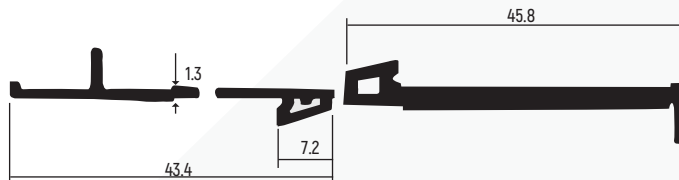
NXT - 373



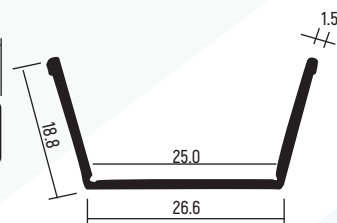
NXT - 374



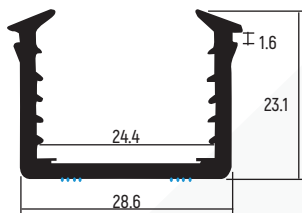
NXT - 375



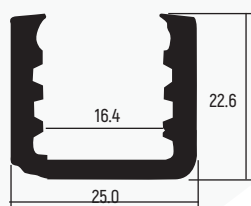
NXT - 376



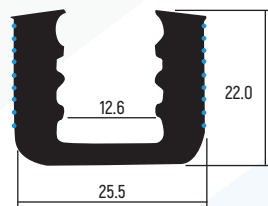
NXT - 378



NXT - 379



NXT - 380



NXT - 381



NXT - 382



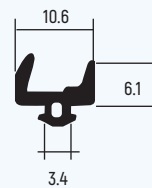
NXT - 383



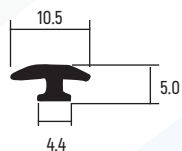
NXT - 384



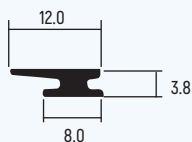
NXT - 385



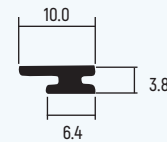
NXT - 386



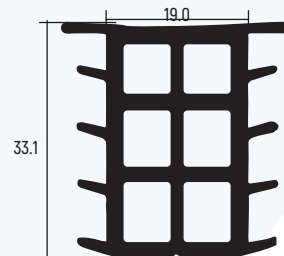
NXT - 387



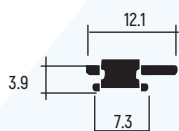
NXT - 388



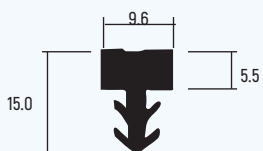
NXT - 389



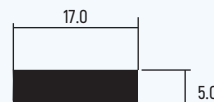
NXT - 390



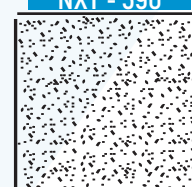
NXT - 391



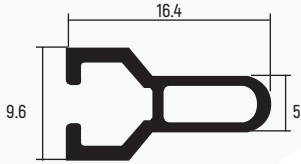
NXT - 392



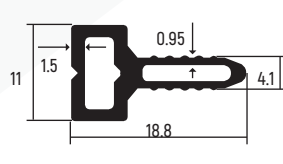
NXT - 393



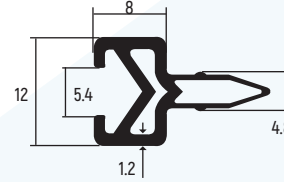
NXT - 394



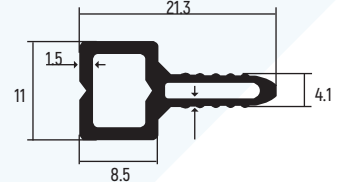
NXTH - 113



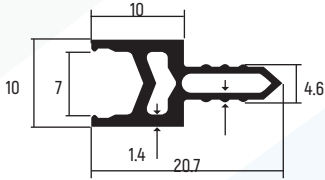
NXTH - 166



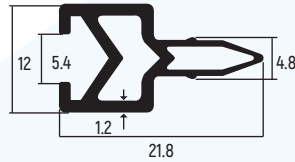
NXTH - 177



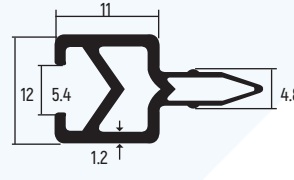
NXTH - 135



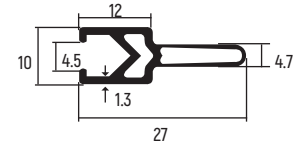
NXTH - 18



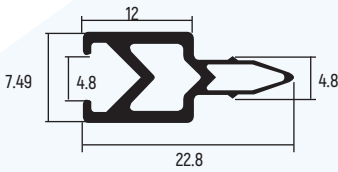
NXTH - 53



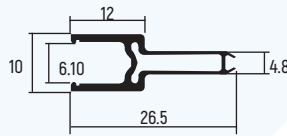
NXTH - 373



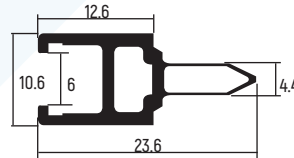
NXTH - 60



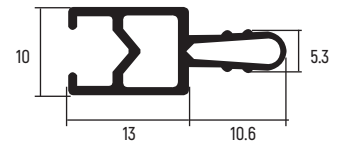
NXTH - 102



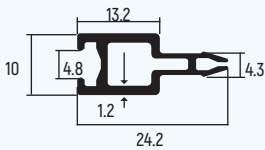
NXTH - 127



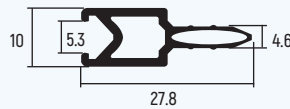
NXTH - 64



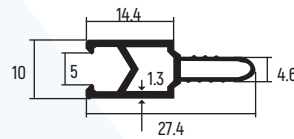
NXTH - 391



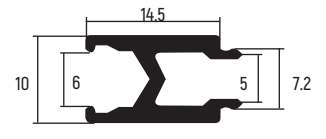
NXTH - 71



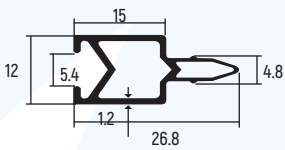
NXTH - 112



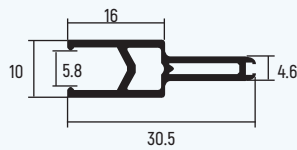
NXTH - 108



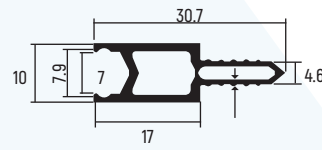
NXTH - 35



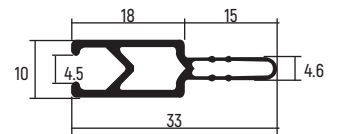
NXTH - 54



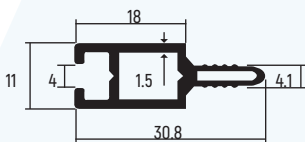
NXTH - 129



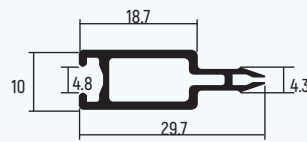
NXTH - 14



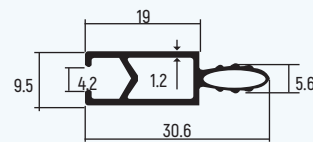
NXTH - 78



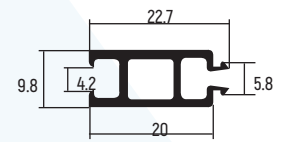
NXTH - 144



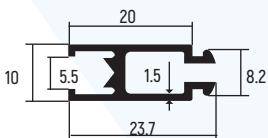
NXTH - 88



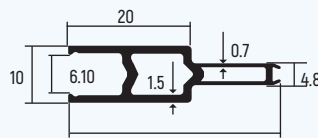
NXTH - 32



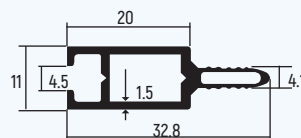
NXTH - 33



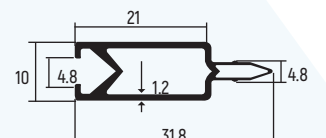
NXTH - 75



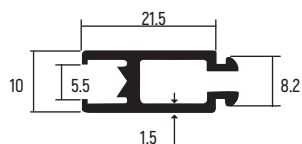
NXTH - 126



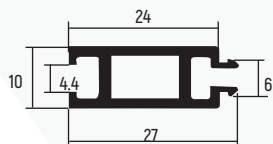
NXTH - 14



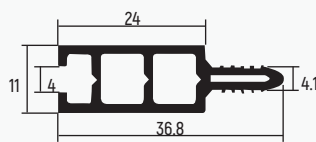
NXTH - 103



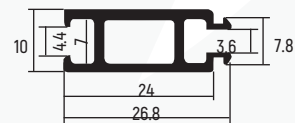
NXTH - 114



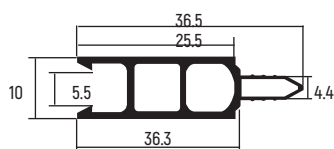
NXTH - 74



NXTH - 152



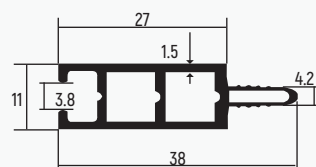
NXTH - 387



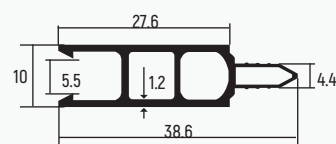
NXTH - 154



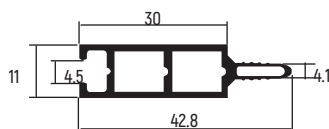
NXTH - 393



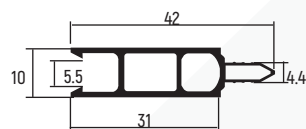
NXTH - 109



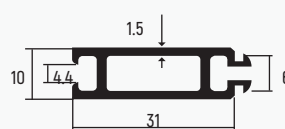
NXTH - 65



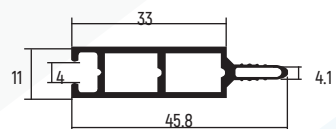
NXTH - 172



NXTH - 11



NXTH - 89



NXTH - 143

MATERIALS AND FINISHES STANDARDS

Aluminum

Aluminum **6063 T6**

Stainless Steel

Austenitic Stainless Steels SS 304 & SS 316, as per:

ASTM A 240 / EN 2-10088/ DIN 17400 / BS 1449:2 / ASTM A480 / ASTM A666 / ISO 3506 / EN 7-10028 / JIS G 4304

Stainless Steel Fasteners EN 3506

Stainless Steel Wire BS 1554 ,ASTM A276

Finishes

Hot-DIP Galvanization after Fabrication

as per:

ASTM A 123 / ASTM A 153 / ISO 1461.

BS 729 / DIN 50976

Zinc Electroplating after Fabrication

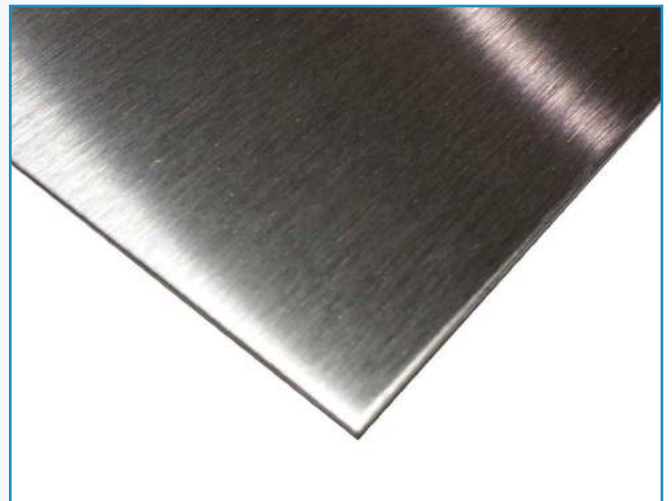
as per:

ASTM B633 / EN 12329 / ISO 4042/ BS 1706 / BS 3382 / DIN 50961

Powder Coating

Epoxy / Polyester / Epoxy & Polyester

BS 3900 / ISO 2409 / ISO 1519 / ISO 1520





MARKETING AND SALES STAND SYSTEMS

NEXUS THE SMALL ALM DISPLAY STAND

Description

Full Stand + 4X Sample Boards of your choice

ALM stand Only

1x Sample Boards 55x30cm of your choice



NEXUS THE SMALL ALM DISPLAY STAND



Description

NEXUS Full Sample Board 55x30cm of your choice



NEXUS THE SMALL ALM DISPLAY STAND

Description

NEXUS TILE TRIM COLLECTION BOX WITH SAMPLES



NEXUS THE FULL RANGE ROTATING STAND

Description

NEXUS Rotating Stand + 48 Sample Board

NEXUS Rotating Stand

1X Sample Board 50X18cm



NEXUS SPECIAL SAMPLE BOARD 50X18CM

Suitable for the Full Range Rotating Stand or can be provided Separately

Description

NEXUS Special Sample Board 50x18cm of your choice



CONTACT INFORMATION

Contact Information

Sales Offices/Entities

KINGDOM OF SAUDI ARABIA

unitech.ksa@ikkgroup.com

Jeddah

Tel : +966 12 627 8222

Mak kah/Taif

Tel : +966 12 541 1206

Mad inah

Tel : +966 14 842 1095

Yanbu

Tel : +966 14 390 1499

Khamis Mushayt

Tel : +966 17 237 5929

Gizan

Tel : +966 17 321 6660

Riyadh

Tel : +966 11 292 8200

Qassim / Buraidah

Tel : +966 16 382 3946

Tabuk

Tel : +966 14 423 5203

Dammam

Tel : +966 13 859 0097

Hufuf

Tel : +966 13 530 1474

Jubail

Tel : +966 13 361 4390

UNITED ARAB EMIRATES

Dubai - Al Rashidiyah

unitech.dubai@ikkgroup.com

Tel : +971 4 2591 773

Abu Dhabi - Musaffah

unitech.auh@ikkgroup.com

Tel: +971 2 552 3393

BAHRAIN

Manama

unitech.bahrain@ikkgroup.com

Tel : +973 17 874 897

KUWAIT

Kuwait City

unitech.kuwait@ikkgroup.com

Tel : +965 2 4924 937

OMAN

Muscat

unitech.oman@ikkgroup.com

Tel : +968 24 591 006

QATAR

Doha

info@unitech-qatar.com m

Tel : +974 4451 3301

LEBANON

Beirut

unitech.lebanon@ikkgroup.com

Tel : +961 1 858 277

EGYPT

Cairo 6th of October City

unitech.egypt@ikkgroup.com

Tel : +20 2 3820 6477

PAKISTAN

Lahore

unitech.pakistan@ikkgroup.com

Tel : +92 42 3230157

SFSP Factories

SFSP - KSA

Specialized Factory for Steel Products

sfsp.jeddah@ikkgroup.com

3rd Industrial City / Jeddah

Tel: +966 12 637 4482

SFSP / UAE

SIGMA Factory for Steel Products

sfsp.uae@ikkgroup.com

DIC (Dubai Industrial City)

Tel : +971 4 818 1919

SFSP / EGYPT

Specialized Factory for Steel Products

sfsp.cairo@ikkgroup.com

6th of October City Giza

Tel : +20 2 3820 6477

SFSP / LEBANON

Specialized Factory for Steel Products / s.a.r.l

sfsp.lebanon@ikkgroup.com

Tanayel, Bekaa

Tel: +961 8 514 290

Engineering & Design

GERMANY

unitech.germany@ikkgroup.com

Unitech Deutschland GmbH

Stuttgart, Germany

Tel : +49 711 6868 7222

Marketing & Multimedia

Multi-D s.a.r.l

multi-d@ikkgroup.com

Multi-D

Beirut, Lebanon

Tel : +961 1 841 155

