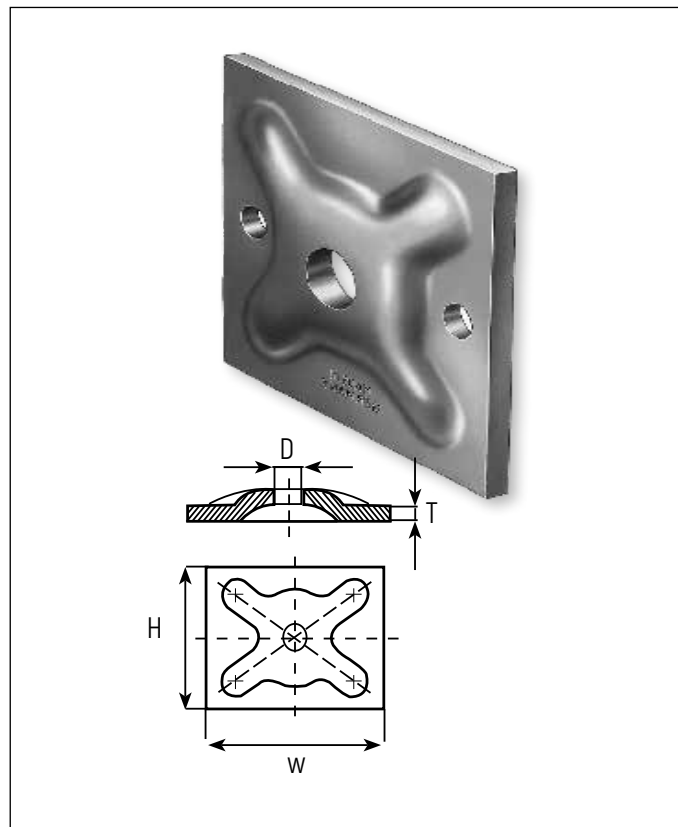


GALVANIZED WALER PLATES

Plates are made from steel ST 37 to accommodate tie rods DG 15/17.
To be used with wing nuts or hexagon nuts.
For use in both timber and steel formwork.
Zinc plated.
Ø D= 20 mm.

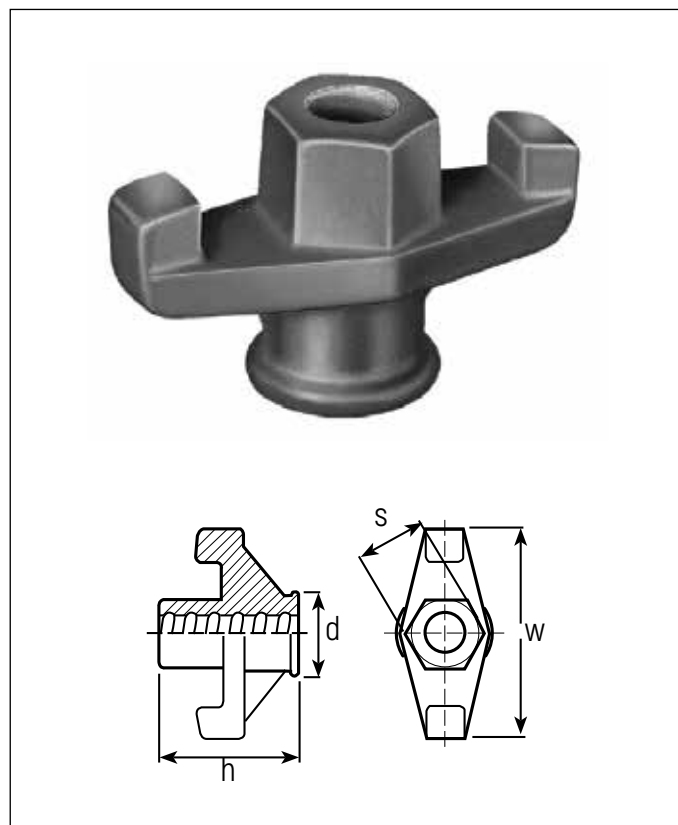
Code	Size (W x H x T)	Permissible load (KN)
UC-0160-C-GPRWR6	120 x 120x 6 mm	80
UC-0170-C-GPRWR8	120 x 120x 8 mm	90



GALVANIZED WING NUTS / SW 27

Wing nuts are made of malleable cast iron - Grade BM 30- 06 Grey iron to be used in conjunction with waler plates for securing tie rods in formwork applications.
For use in both timber and steel formwork.
Zinc plated.
h= 60mm,
d= 33mm,
w= 90mm,
s= 27mm.

Code	Permissible Load (KN)
UC-0140-C-GWNT35	80 KN





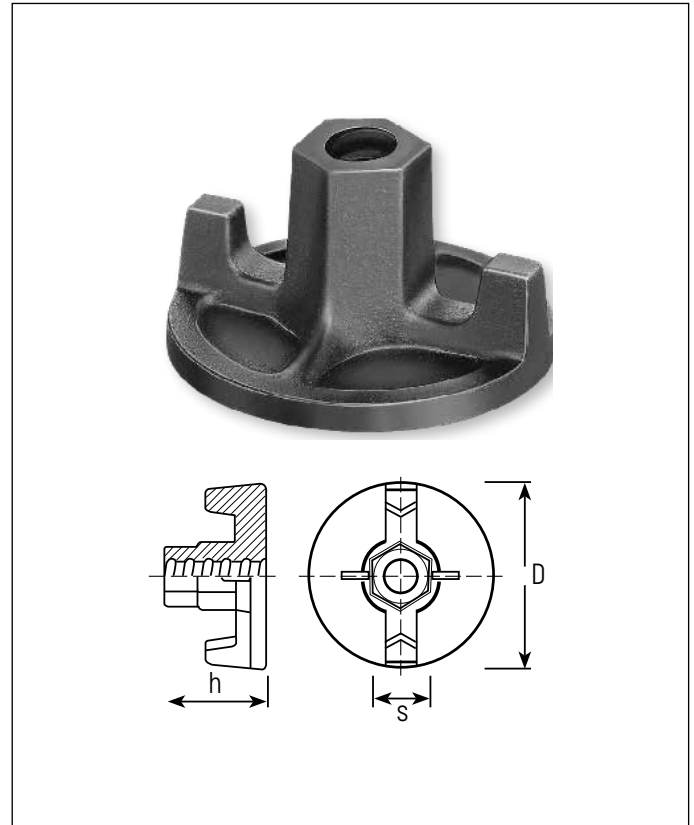
GALVANIZED WALER NUTS / SW 27

Waler nuts are made from cast iron to accommodate tie rods DG 15/17. For use without waler or counter plates in both timber and steel formwork. Zinc plated.

h= 55 mm

s= 27 mm.

Code	Base Diameter D (mm)
UC-0175-C-GAN30	70 mm
UC-0176-C-GAN50	100 mm



Counter plates made from steel ST 37.

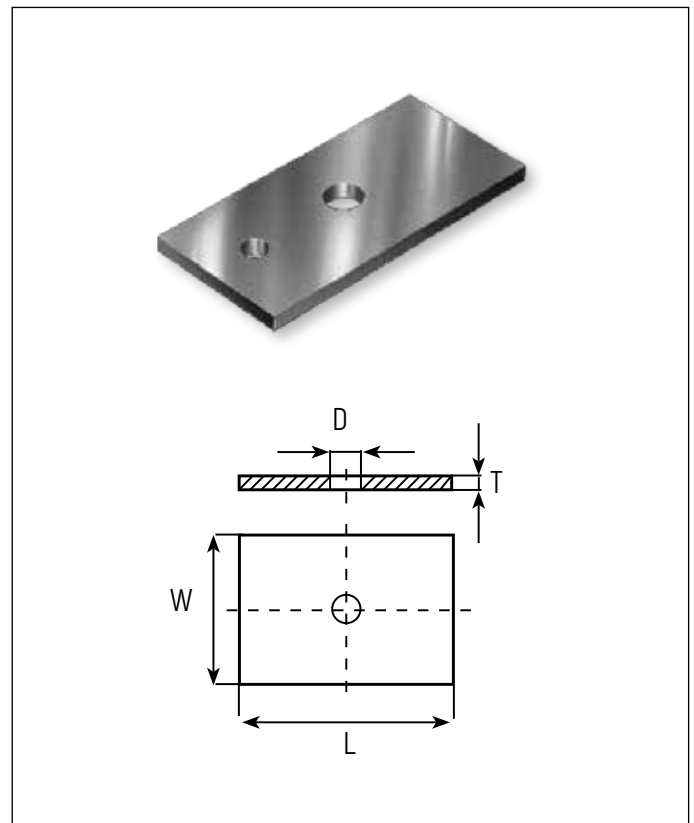
To accommodate tie rods DG 15/17.

To be used in both timber and steel formwork with wing or hexagon nuts.

Hot-dip galvanized.

Ø D= 20mm.

Code	Size (L x W x T)
UC-0145-C-GCP	140 x 70 mm x 8 mm





HEXAGON NUTS / SW 30

For use with tie rods DG 15/17 in both timber and steel formwork with waler or counter plate.

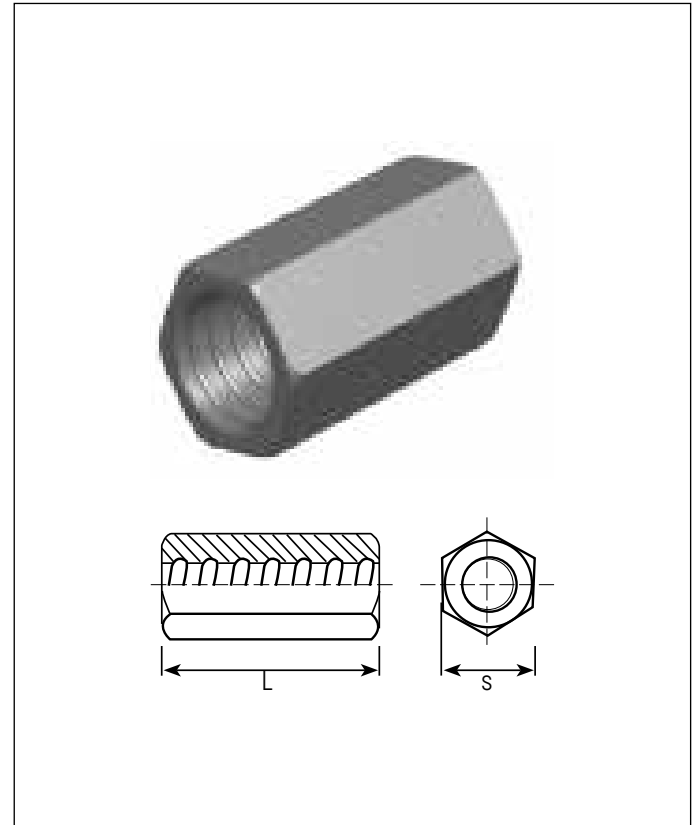
50 mm length to be used also as bar connector.

To be operated by means of a spanner.

Zinc plated.

Hex size $s = 30$ mm

Code	Size
UC-0150-C-GJCP30	DG15/17 x 30 mm
UC-0155-C-GJCP50	DG15/17 x 50 mm



WATER STOPPERS OR BARRIERS / SW 36

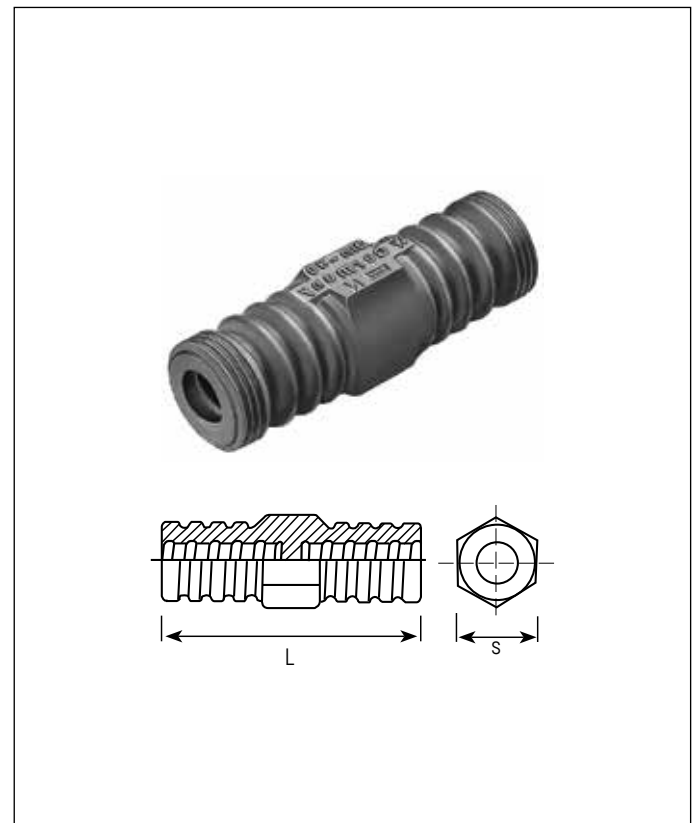
This malleable cast iron - Grade BM 30- 06 Grey iron part is used together with tie rods DG 15/17 for the construction of watertight concrete walls. It is very often the case that customers demand the tie rods to be connected up to a so-called waterstop in the middle of the wall.

Zinc plated.

Hex size $s = 36$ mm.

Code	Size L x S	Permissible Load (KN)
UC-0180-C-SWB116	DG15/17 x 116 mm	80-90 KN

These systems are used for basement walls or tanks where a watertight structure is required. After the concrete has cured the bars are unscrewed from the watertight coupling, formwork cones removed and the holes are then grouted with mortar or injected with polyester resin.





PVC TUBES - THRUTY SLEEVES

Rigid PVC tube, supplied in length of 2 m, which can be easily cut to size on site. To be used as an expandable sleeve over tie-rods, facilitating their removal and also acting as a spacer to give correct shutter position. Tubes allow the recovery of the tie rods by preventing contact with the concrete. Length to be cut depends on wall thickness.

(length= wall thickness minus 2 cm)

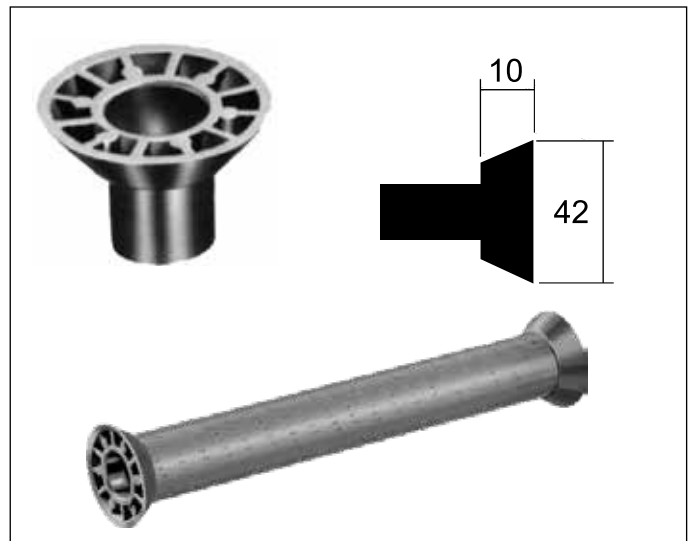
Code	Inner Diameter (mm)	Outer Diameter (mm)	Length (mm)
UC-200-C-PVT222	22	26	2000



PVC THRUTY CONES

Thru cones used at the ends of thru sleeves and can be easily extracted after removal of the formwork, to form a chamfered recess for subsequent grouting.

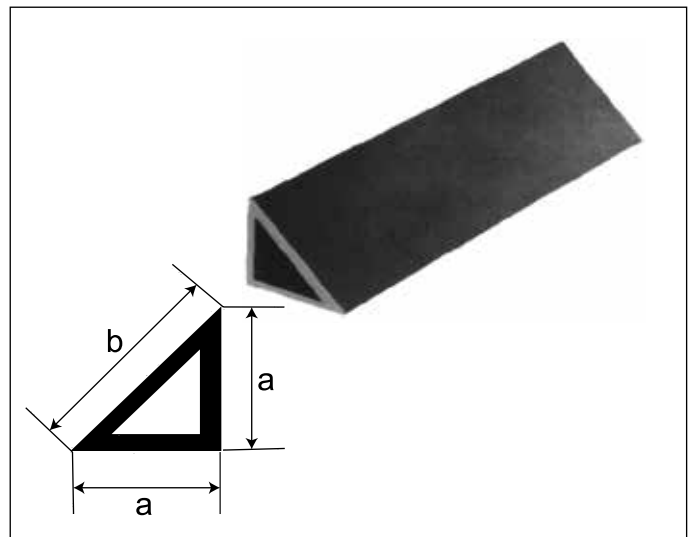
Code	For Sleeve Inner (mm)	Recess Depth (mm)
UC-0190-C-PVCN22	22	10



PVC CHAMFER STRIPS

PVC profiles suitable for forming chamfered corners to columns and beams. Chamfers are re-usable.

Code	Dimension A x Length
UC-0020-C-PCH102	10 mm x 2 LM
UC-0030-C-PCH152	15 mm x 2 LM
UC-0040-C-PCH202	20 mm x 2 LM
UC-0050-C-PCH252	25 mm x 2 LM
UC-0060-C-PCH302	30 mm x 2 LM





PVC CHAIR SPACER

This spacer is the most popular spacer for horizontal placed reinforcement in slabs and beams. It has good stability and can be used with various bar diameters due to its concave seat. Designed for light reinforcement in slabs and beams.

Code	Size
UC-0510-C-PCHS25	25 mm
UC-0520-C-PCHS30	30 mm
UC-0530-C-PCHS40	40 mm
UC-0540-C-PCHS50	50 mm



PVC CLIP SPACER

Code	Size
UC-0610-C-PCLS25	25 mm
UC-0620-C-PCLS30	30 mm
UC-0630-C-PCLS40	40 mm
UC-0640-C-PCLS50	50 mm
UC-0650-C-PLSS75	75 mm



PVC WHEEL SPACER

Wheel spacers for universal use. Clamping retention lugs for different steel diameters. Extra-wide support area reduces possibility of tipping over. Open style design does not interrupt concrete flow. External ribs for minimal formwork contact.

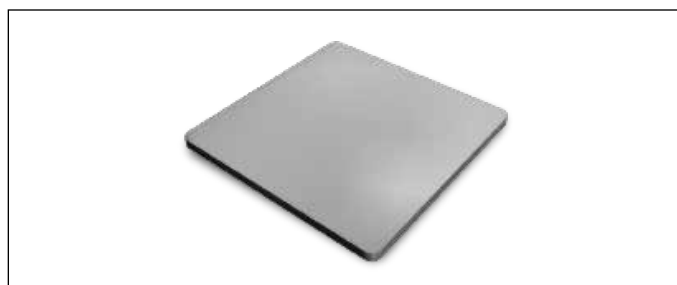
Code	Size
UC-0610-C-PWLS20	20 mm
UC-0620-C-PWLS25	25 mm
UC-0630-C-PWLS30	30 mm
UC-0640-C-PWLS40	40 mm
UC-0640-C-PWLS50	50 mm
UC-0660-C-PWLS75	75 mm



SHIM PAD

For assembling precast concrete parts and facade elements.

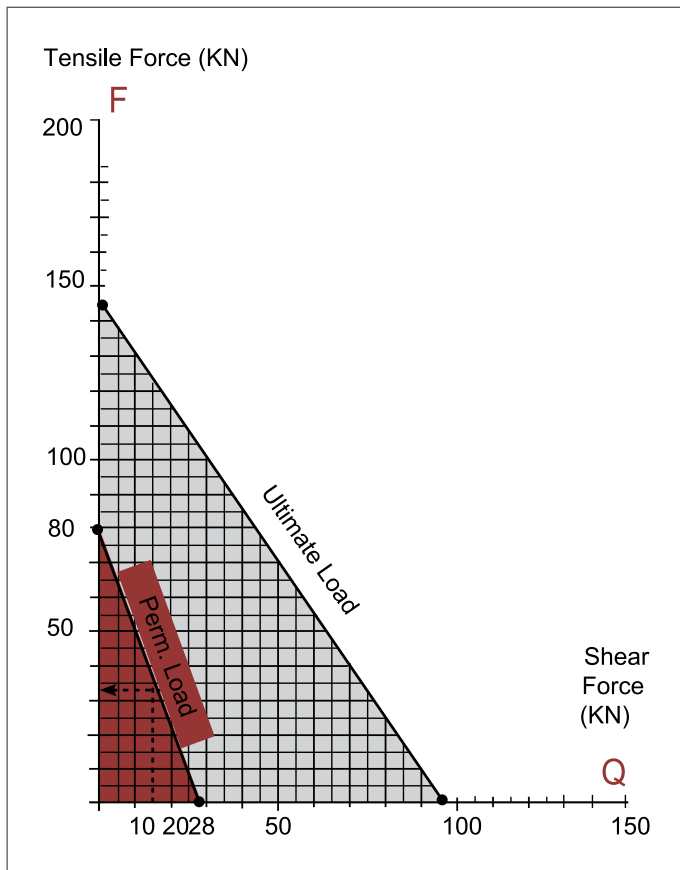
Code	Thickness	Size
UC-0330-C-PSHM02	2 mm	70 x 70 x 2 mm
UC-0340-C-PSHM03	3 mm	70 x 70 x 3 mm
UC-0350-C-PSHM04	5 mm	70 x 70 x 5 mm
UC-0370-C-PSHM10	10 mm	70 x 70 x 10 mm





TIE RODS DG 15/17

- Form tie rods DG 15/17 made from mild steel and steel EN 8 are threaded along their entire length. Natural finish with anti rust coating.
- Core diameter = 15mm (outer diameter= 17mm).
- Weight 1.44 Kg/m
- Permissible load (breaking and working load) as per DIN 18216 | $F_{perm.} = 80-90$ KN
- Permissible shear load (breaking and working load) | $Q_{perm.} = 28$ KN
- Ultimate tensile load (breaking and working load) | $F_{ult.} = 146$ KN
- Yield force $F_{yield} = 121$ KN



Code	Size
UC-0120-C-GSTRD3	DG 15/17 x 3 LM
UC-0130-C-GSTRD6	DG 15/17 x 6 LM